

6

5

4

3

2

1

APPROVED: \_\_\_\_\_  
 DATE: \_\_\_\_\_ TITLE: \_\_\_\_\_

Rev	AWO #	Description	Date	Appr
-		RELEASED	4/29/16	
A		UPDATE DRAWING	2/27/20	AY/EY

D

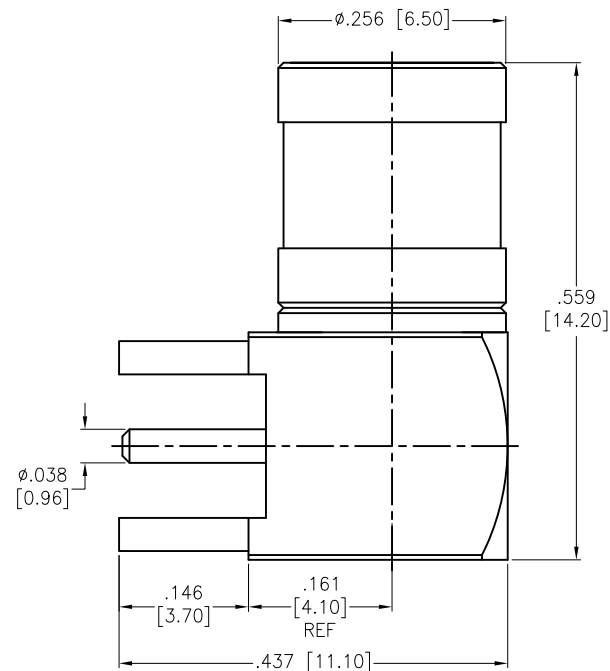
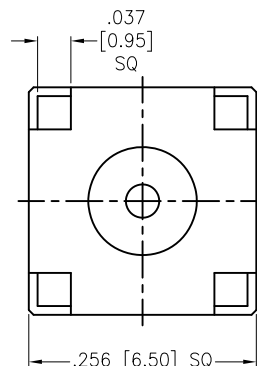
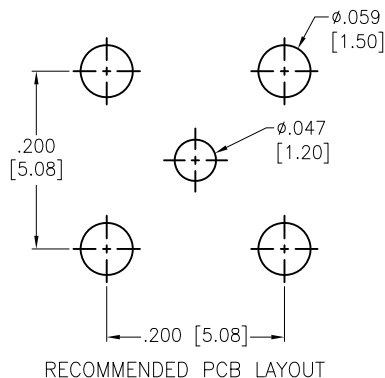
D

C

C

B

B



SHELL	BRASS	GOLD
INSULATOR	PTFE	WHITE
HOUSING	BRASS	GOLD
CONTACT PIN	PB CU	GOLD
RING	BE CU	GOLD
INSULATOR	PTFE	WHITE
BODY	BRASS	GOLD
DESCRIPTION	MATERIAL	FINISH

**SPECIFICATIONS:**

Electrical:  
 Nominal Impedance: 50 ohms  
 Frequency range: 0-4 GHz  
 Working Voltage: 335 VOLTS Max  
 Proof Voltage: 1000 VOLTS  
 Temperature Rating:  
 Operating temperature: -65°C to +165°C  
 Environmental:  
 Lead free, RoHS compliant.



UNLESS OTHERWISE SPECIFIED  
 ALL DIMENSIONS ARE INCHES [MM]  
 TOLERANCES: EXCEPT AS NOTED  
 INCHES HOLES

.X ± .10	Ø.X ± .10
.XX ± .020	Ø.XX ± .015
.XXX ± .015	Ø.XXX ± .010

**ADAM TECH**  
 INTERCONNECTS  
 909 Rahway Avenue,  
 Union, NJ 07083  
 Phone: 908-687-5000  
 Fax: 908-687-5710

APPROVALS		DATE
DRAWN	AY	4/29/16
CHECKED	AT	4/29/16
APPROVED		

SIZE	PART NO.	REV.
X	RF3-04A-T-00-50-G	A

TITLE: SMB R/A PLUG PCB MOUNT

REF: S00277T SCALE: NTS SHEET 1 OF 1

6

5

4

3

2

1

A

A