

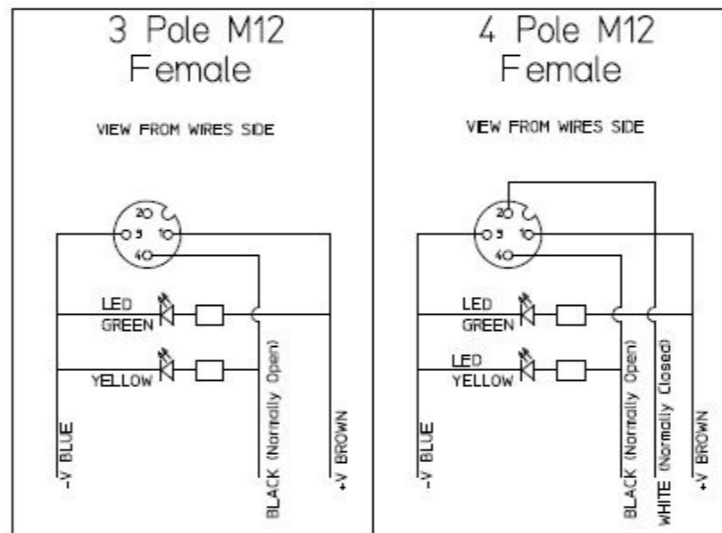
TABLE 1

MATERIAL NO.	ENGINEERING NO.	CABLE LENGTH
1200070281	8830P3S20M010	1m
* 1200675035	8830P3I03M015	1.5m
* 1200675036	8830P3I03M100	10m
* 1200675065	8830P3I03M080	8m
1200675066	8830P3S20M020	2m
* 1200675076	8830P3I03M050	5m
* 1200675096	8830P3I03M060	6m
* 1200678061	8830P3I03M020	2m
1200678063	8830P3S20M006	0.6m
1200678177	8830P3E03M006	0.6m
1200678266	8830P3P03M006	0.6m
* 1200678355	8830P3I03M100Y	10m
* 1200678363	8830P3I03M050Y	5m
* 1200678416	8830P3I03M060Y	6m
* 1200678418	8830P3S20M010H	1m

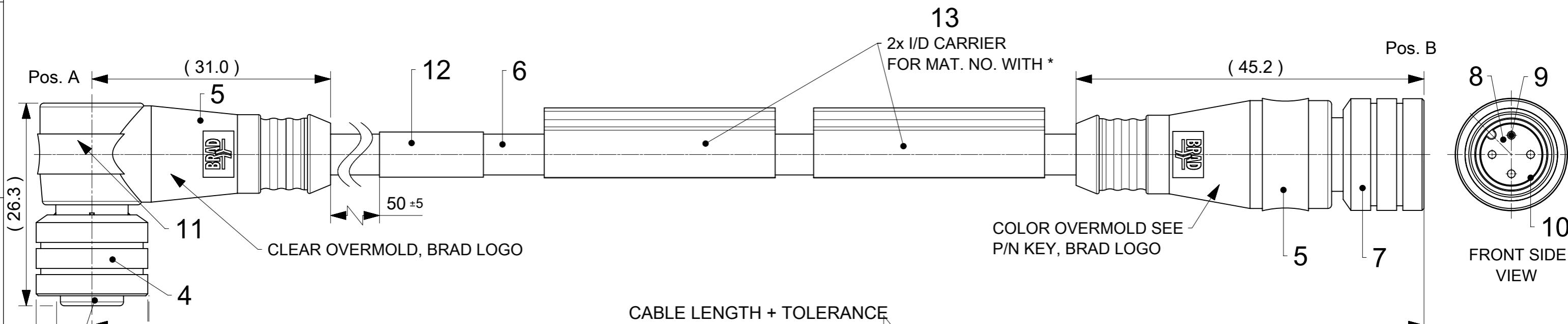
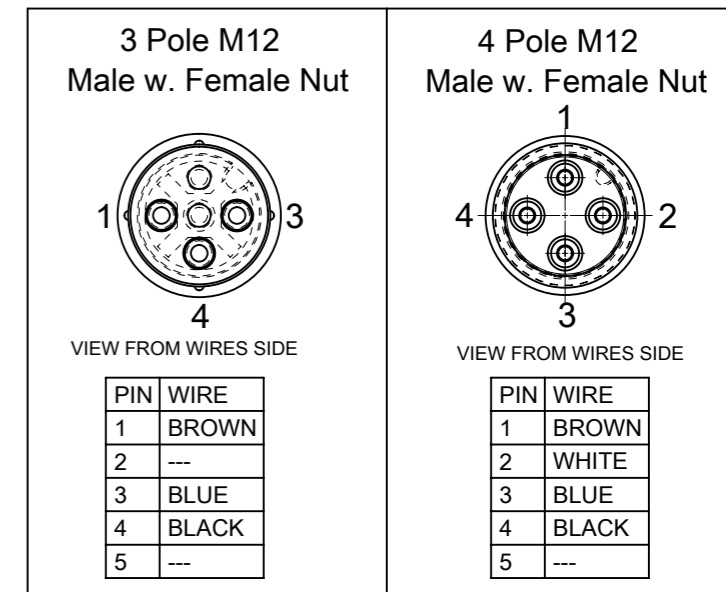
CABLE LENGTH TOLERANCES		
LENGTH	TOLERANCE	
shorter 1m	+40 mm	-0 mm
1m-5m	+60 mm	-0 mm
5m-10m	+80 mm	-0 mm
10m-20m	+140 mm	-0 mm
20m-30m	+160 mm	-0 mm
longer 30m	+1%	-0 mm

* - 2x ID CARRIERS

Pos. A



Pos. B



CABLE LENGTH + TOLERANCE

FOR OPTIONS SEE
NUMERICAL CODE
ON SHEET 2

ITEM	QTY.	DESCRIPTION	MATERIAL	FINISH
13	2	I/D CARRIER	PVC	---
12	1	LABEL OR PRINTING	VINYL	---
11	1	MMC-PNP LED PCB	FR4	---
10	1	O-RING GASKET BK	NBR	---
9	3 / 4	CONTACT M12 MALE	BRASS	Ni + Au
8	1	INSERT MALE BLACK	NYLON	---
7	1	COUPLING NUT FEMALE	TEFLON	NICKEL
6	-	CABLE	SEE SHEET 2	---
5	2	OVERMOLD	TPU	---
4	1	COUPLING NUT FEMALE	BRASS	NICKEL
3	1	INSERT FEMALE BLACK	PUR	---
2	1	ORING RED	FPM	---
1	3 / 4	CONTACT M12 FEMALE	BRONZE	Ni PLATED

NOTES:

CONTACT CURRENT RATING: 3-5 POLES 4A

VOLTAGE RATING: 3-4 POLES 250V

PROTECTION CLASS: IP 67

TEMPERATURE: -25°C / +85°C

THIS DRAWING CONTAINS INFORMATION THAT IS PROPRIETARY TO MOLEX ELECTRONIC TECHNOLOGIES, LLC AND SHOULD NOT BE USED WITHOUT WRITTEN PERMISSION

DIMENSION UNITS	SCALE	CURRENT REV DESC: OBSOLETE PART NUMBERS AS PER PCN#506884	molex		
mm	2:1				
GENERAL TOLERANCES (UNLESS SPECIFIED)			CSE M12 M12 LED PNP XP AC FE RA MA STR XM DE		
ANGULAR TOL	± 1.0 °	EC NO: 662770	PRODUCT CUSTOMER DRAWING		
4 PLACES	±	DRWN: SUGEEB	2021/02/25	DOCUMENT NUMBER	
3 PLACES	±	CHK'D: GGA	2021/06/02	DOC TYPE	
2 PLACES	± 0.05	APPR: GGA	2021/06/02	DOC PART	
1 PLACE	± 0.1	INITIAL REVISION:	REVISION		
0 PLACES	± 0.2	DRWN: RSCHIEBER	2017/11/15	1200678418	
DRAFT WHERE APPLICABLE MUST REMAIN WITHIN DIMENSIONS			APPR: RSILLER	2018/09/21	PSD 000 A1
THIRD ANGLE PROJECTION			DRAWING	SERIES	MATERIAL NUMBER
			A3-SIZE	120067	SEE TABLE
CUSTOMER			GENERAL MARKET		
SHEET NUMBER			1 OF 2		

ENGINEERING NO. - NUMERICAL CODE (Available parts see PART LIST table. Other parts available upon request).

OPTIONS

8 8 X 0 P 3 X X X M X X X X

88=M12x1
Double ended

Poles:
3=3 Poles
4=4 Poles
5=5 Poles
8=8 Poles

Heads style:
0P3=PNP Female 90°
to Male Straight
with Female thread

Cable type: See Table

Units:
M=Meter
C=Centimeter
T=10x Meter


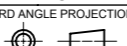
Length
Examples:
005=0.5 units
010=1 units
020=1 units
050=5 units
100=10 units
150=15 units
200=20 units

Overmold color:
Blank (Standard)=Black
A=Grey / G=Black / Y=Yellow / R=Red

H= 2 pcs. of I/D Carrier PVC Transparent
(Cables lxx & P82 always with
2 pcs. I/D Carrier)

CABLE INFORMATION

CABLE	COUPLING NUT MATERIAL	OVERMOLD
Exx PVC	NICKEL PLATED BRASS	PUR
HOx LSOH PUR	NICKEL PLATED BRASS	PUR
H52 LSOH PUR	TEFLON COATED BRASS	PUR
IOx CEI, UNBRAIDED	NICKEL PLATED BRASS	PUR
I2x CEI, BRAIDED	TEFLON COATED BRASS	PUR
Lxx PUR	NICKEL PLATED BRASS	PUR
Mxx PUR / PVC	NICKEL PLATED BRASS	PUR
Pxx PUR	NICKEL PLATED BRASS	PUR
P8x PUR, IRRADIATED	TEFLON COATED BRASS	PUR
S2x SJTO TYPE PVC	TEFLON COATED BRASS	PUR

THIS DRAWING CONTAINS INFORMATION THAT IS PROPRIETARY TO MOLEX ELECTRONIC TECHNOLOGIES, LLC AND SHOULD NOT BE USED WITHOUT WRITTEN PERMISSION									
DIMENSION UNITS	SCALE	CURRENT REV DESC: OBSOLETE PART NUMBERS AS PER PCN#506884							
mm	1:1								
GENERAL TOLERANCES (UNLESS SPECIFIED)		EC NO: 662770			CSE M12 M12 LED PNP XP AC FE RA MA STR XM DE PRODUCT CUSTOMER DRAWING				
ANGULAR TOL ± 1.0 °		DRWN: SUGEEB 2021/02/25							
4 PLACES ±	CHK'D: GGA 2021/06/02			DOCUMENT NUMBER: 1200678418 DOC TYPE: PSD DOC PART: 000 REVISION: A1					
3 PLACES ±	APPR: GGA 2021/06/02								
2 PLACES ± 0.05	INITIAL REVISION:			MATERIAL NUMBER: SEE TABLE CUSTOMER: GENERAL MARKET SHEET NUMBER: 2 OF 2					
1 PLACE ± 0.1	DRWN: RSCHIEBER 2017/11/15								
0 PLACES ± 0.2	APPR: RSILLER 2018/09/21								
DRAFT WHERE APPLICABLE MUST REMAIN WITHIN DIMENSIONS		THIRD ANGLE PROJECTION	DRAWING	SERIES					
			A3-SIZE	120067					