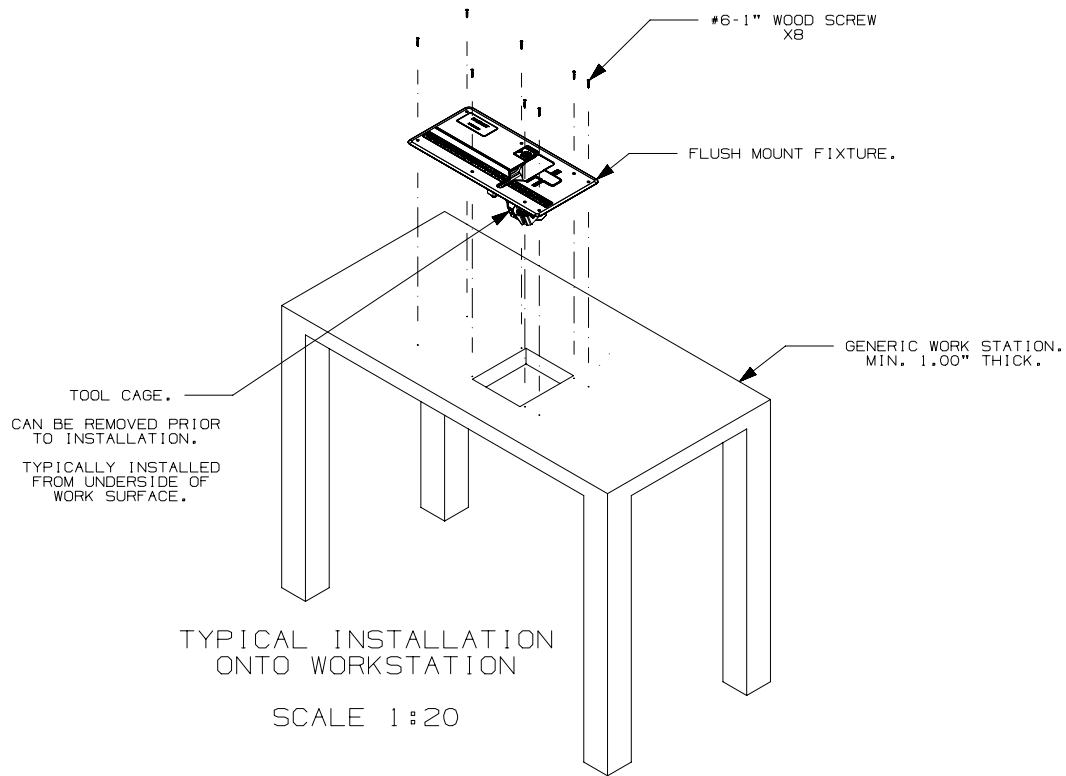
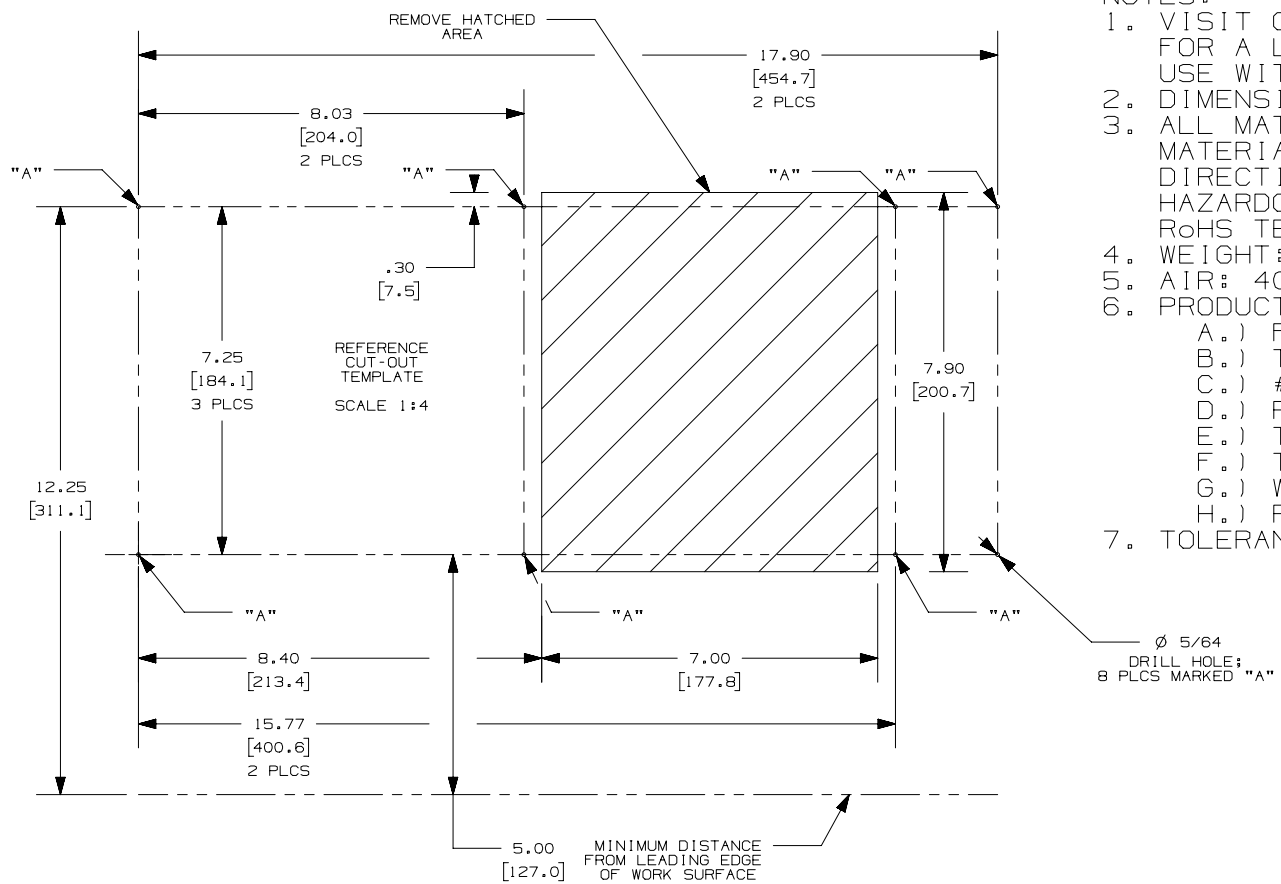
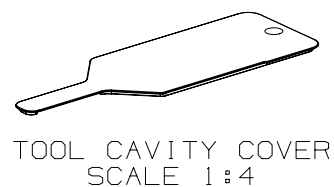
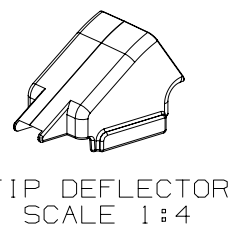
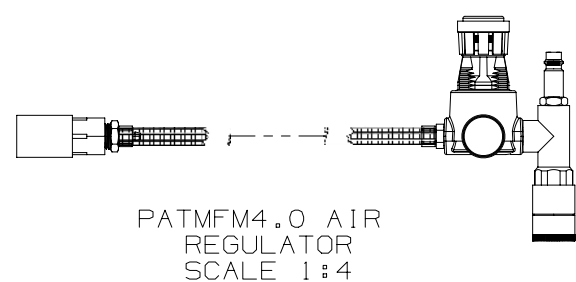
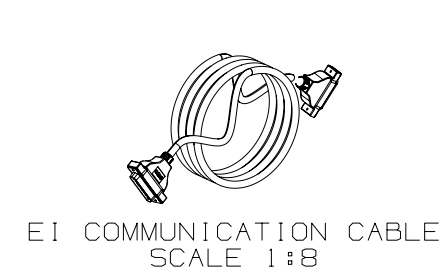
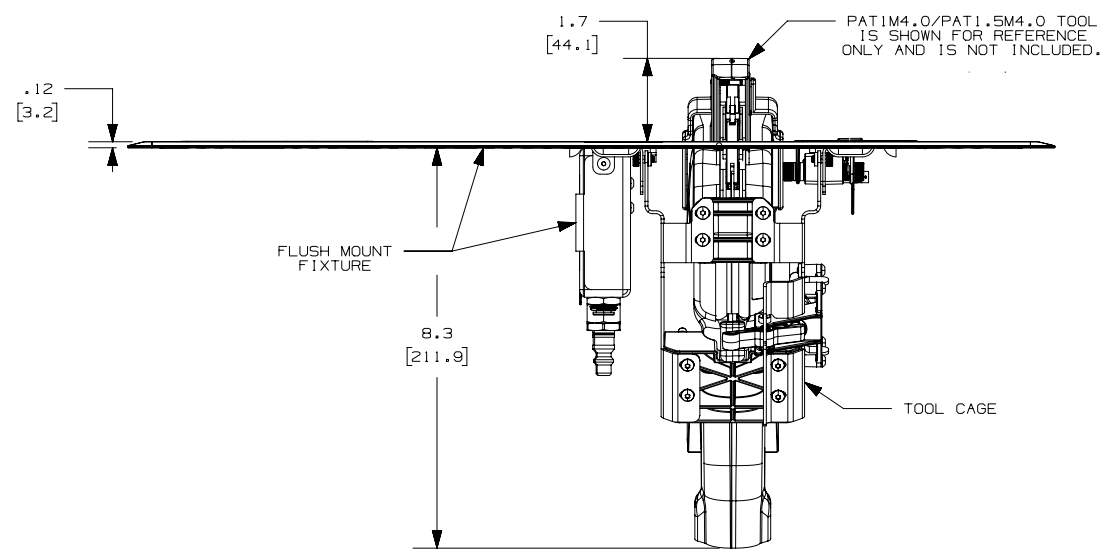
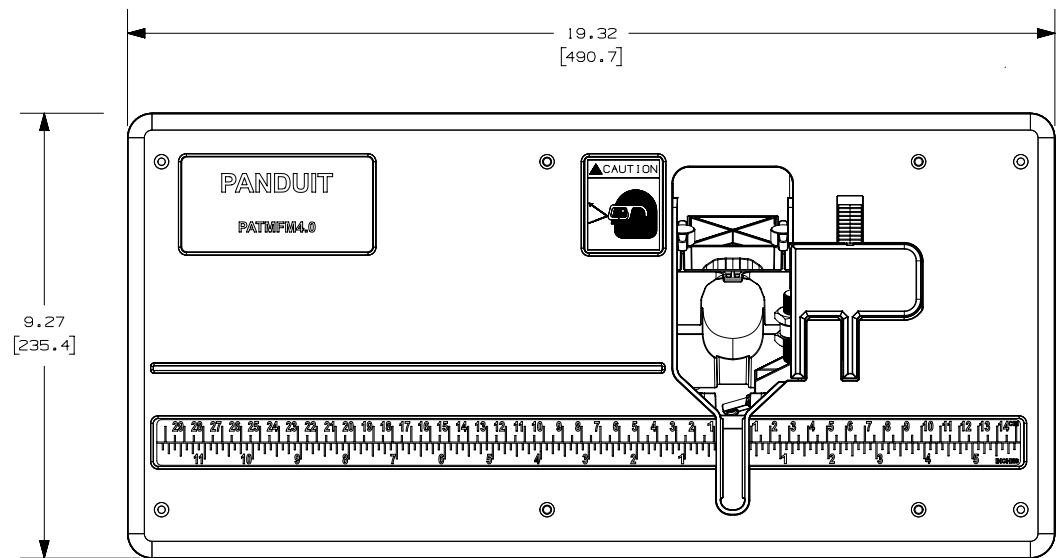


THIS COPY IS PROVIDED ON A RESTRICTED BASIS AND IS NOT TO BE USED IN ANY WAY DETRIMENTAL TO THE INTERESTS OF PANDUIT CORP.



- NOTES:
- VISIT OUR ON-LINE CATALOG AT WWW.PANDUIT.COM FOR A LIST OF CURRENT PARTS APPLICABLE FOR USE WITH THIS PRODUCT.
 - DIMENSIONS IN [] ARE METRIC.
 - ALL MATERIALS AND COMPONENTS USED MEET THE MATERIAL RESTRICTIONS OF RoHS (EUROPEAN DIRECTIVE 2011/65/EU ON THE RESTRICTION OF HAZARDOUS SUBSTANCES) AS PROPOSED BY THE RoHS TECHNICAL ADAPTATION COMMITTEE.
 - WEIGHT: 3.81 Lbs (1.73 Kg)
 - AIR: 40-45 PSI (2,8-3,1 BAR)
 - PRODUCT INCLUDES:
 - A.) FLUSH MOUNT FIXTURE
 - B.) TOOL CAGE
 - C.) #6-1" LENGTH MOUNTING SCREWS (X8)
 - D.) PDM4.0 EI COMMUNICATION CABLE
 - E.) TIP DEFLECTOR (FOR PAT4.0 HAND TOOL)
 - F.) TOOL CAVITY COVER
 - G.) WORK SURFACE CUT-OUT TEMPLATE
 - H.) PATMFM4.0 AIR REGULATOR
 - TOLERANCES: X.X: 0.10"
X.XX: 0.010"
X.XXX: 0.005"

PART NUMBER		PATMFM4.0	
TITLE		PAT4.0 FLUSH MOUNT BENCH TOP FIXTURE	
CUSTOMER DRAWING			
ITEM REVISION NAME		R29611AI/00	
DATASET FILE NAME		R29611AI_DS_WA29611B01/00A	
MATERIAL		N/A	
DRAWING NUMBER		WA29611B01	
DRAWN BY		DATE	CHK
KIPS	11/19/18	LAH	SCALE
DESCRIPTION		ECN	SIZE
00 11/19/18 KIPS LAH ALP INITIAL RELEASE		057280	B
REV DATE BY CHK APR		1:4	SHEET 1 OF 1

00	11/19/18	KIPS	LAH	ALP	INITIAL RELEASE	057280
REV	DATE	BY	CHK	APR	DESCRIPTION	ECN

B

B

A

A