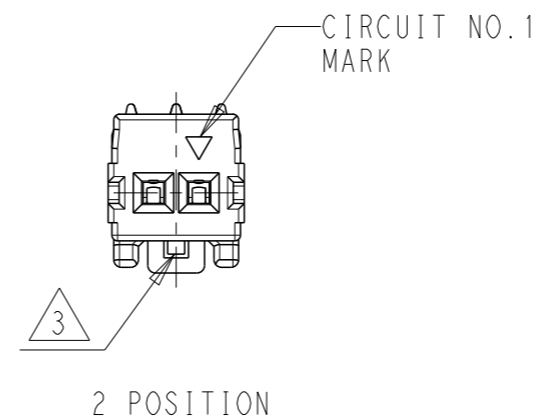
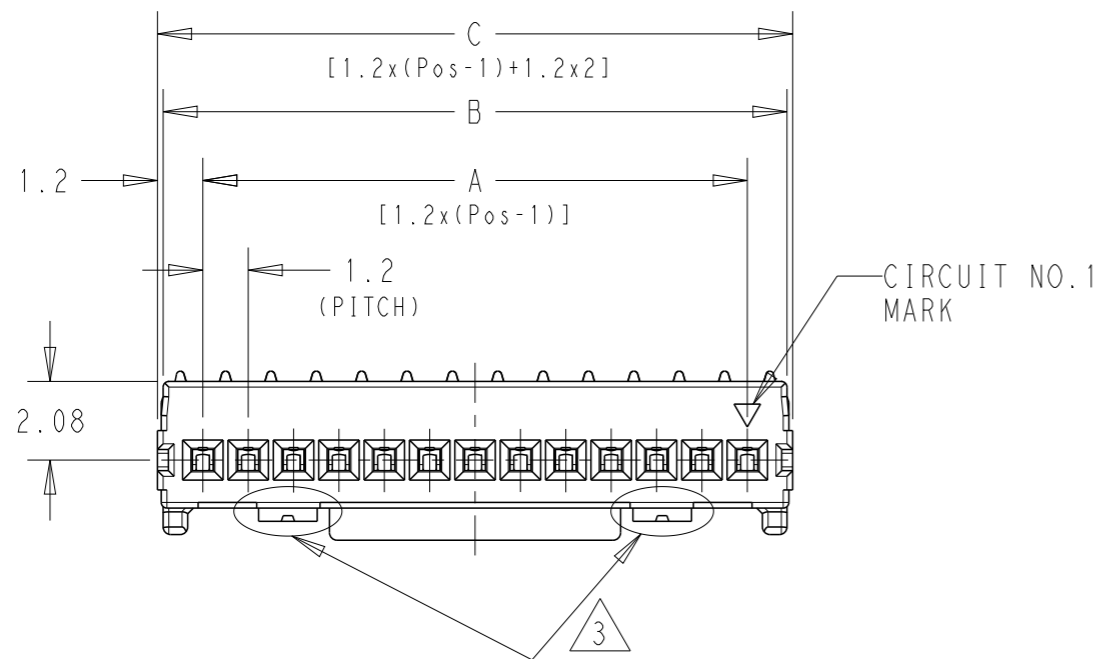
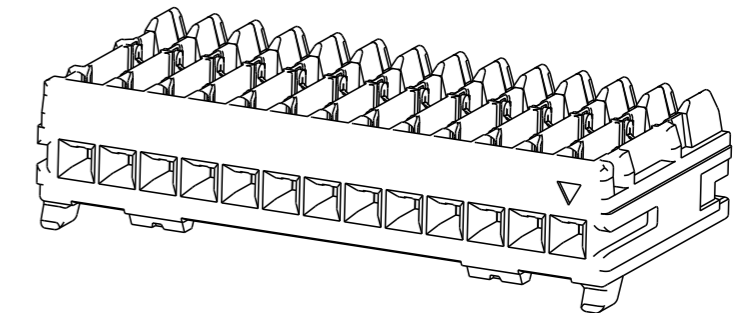
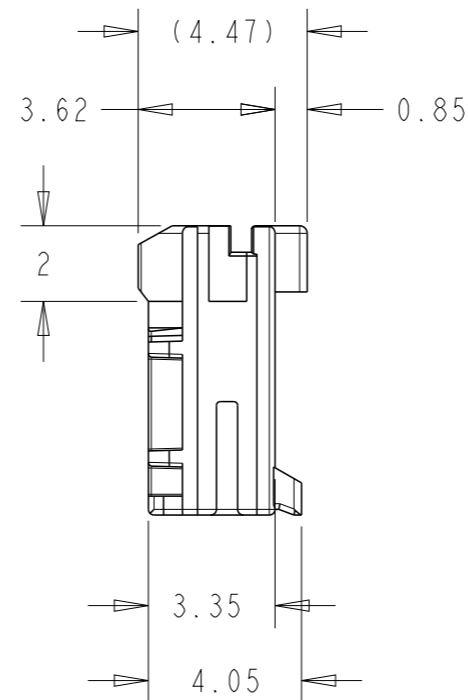
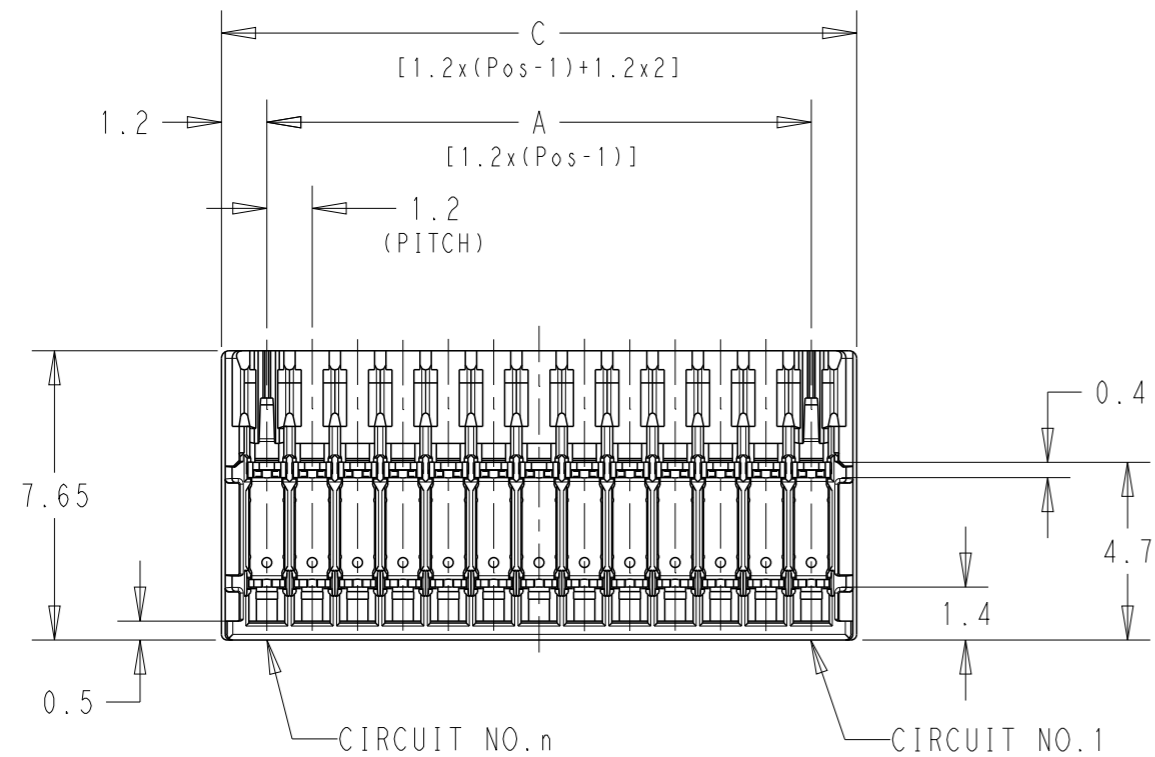



P	LTR	DESCRIPTION	DATE	DWN	APVD
	A	RELEASED	18MAR2021	T.Y	K.K
	B	REVISED	21SEP2021	T.Y	K.K
	C	REVISED	21JAN2022	T.Y	K.K
	D	REVISED	30SEP2022	T.Y	K.K



NOTES;

- APPLICABLE WIRE SIZE: AWG #26 & #28  
INSULATION DIA RANGE:  $\varnothing 0.88$  (AWG #26)  
 $\varnothing 0.9$  (AWG #28)
- MATERIAL:  
HOUSING: THERMOPLASTIC, UL94V-0, COLOR BLACK  
CONTACT: PRE-TIN, COPPER ALLOY
- HOUSING LOCK:  
2 TO 12 POSITIONS - SINGLE LOCK  
13 TO 25 POSITIONS - DOUBLE LOCK


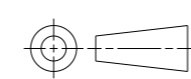
1-2355088-3; AS SHOWN

THIS DRAWING IS A CONTROLLED DOCUMENT.		DWN T. YASUI 18JUN2019	 TE Connectivity	
DIMENSIONS: mm		CHK A. KUBO 18JUN2019		
TOLERANCES UNLESS OTHERWISE SPECIFIED: $\pm 0.3$		APVD A. KUBO 18JUN2019	NAME MT RECEPTACLE ASSY MICRO CT CONNECTOR, 1.2mm PITCH	
$\varnothing$ PLC $\pm$ + PLC $\pm$ 2 PLC $\pm$ 3 PLC $\pm$ 4 PLC $\pm$ ANGLES $\pm 3^\circ$		PRODUCT SPEC 108-140232	SIZE A3	
MATERIAL SEE NOTE 2		APPLICATION SPEC 114-78056	CAGE CODE 00779	DRAWING NO C-2355088
FINISH SEE NOTE 2		WEIGHT	RESTRICTED TO -	
		CUSTOMER DRAWING	SCALE 5:1	SHEET 1 OF 2
			REV D	

REVISIONS

P	LTR	DESCRIPTION	DATE	DWN	APVD
		SEE SHEET 1			

31.2	30.9	28.8	25	2-2355088-5
30.0	29.7	27.6	24	2-2355088-4
28.8	28.5	26.4	23	2-2355088-3
27.6	27.3	25.2	22	2-2355088-2
26.4	26.1	24.0	21	2-2355088-1
25.2	24.9	22.8	20	2-2355088-0
24.0	23.7	21.6	19	1-2355088-9
22.8	22.5	20.4	18	1-2355088-8
21.6	21.3	19.2	17	1-2355088-7
20.4	20.1	18.0	16	1-2355088-6
19.2	18.9	16.8	15	1-2355088-5
18.0	17.7	15.6	14	1-2355088-4
16.8	16.5	14.4	13	1-2355088-3
15.6	15.3	13.2	12	1-2355088-2
14.4	14.1	12.0	11	1-2355088-1
13.2	12.9	10.8	10	1-2355088-0
12.0	11.7	9.6	9	2355088-9
10.8	10.5	8.4	8	2355088-8
9.6	9.3	7.2	7	2355088-7
8.4	8.1	6.0	6	2355088-6
7.2	6.9	4.8	5	2355088-5
6.0	5.7	3.6	4	2355088-4
4.8	4.5	2.4	3	2355088-3
3.6	3.3	1.2	2	2355088-2
C	B	A	POS.	PART NUMBER
DIMENSIONS				

THIS DRAWING IS A CONTROLLED DOCUMENT.		DWN	 TE Connectivity	
DIMENSIONS: mm		CHK		
		APVD	NAME MT RECEPTACLE ASSY MICRO CT CONNECTOR, 1.2mm PITCH	
TOLERANCES UNLESS OTHERWISE SPECIFIED: $\pm 0.3$ 0 PLC $\pm$ 1 PLC $\pm$ 2 PLC $\pm$ 3 PLC $\pm$ 4 PLC $\pm$ ANGLES $\pm 3^\circ$		PRODUCT SPEC	SIZE CAGE CODE DRAWING NO RESTRICTED TO	
MATERIAL		APPLICATION SPEC	A3 00779 C-2355088 -	
FINISH		WEIGHT	SCALE NTS SHEET 2 OF 2 REV D	
		CUSTOMER DRAWING		