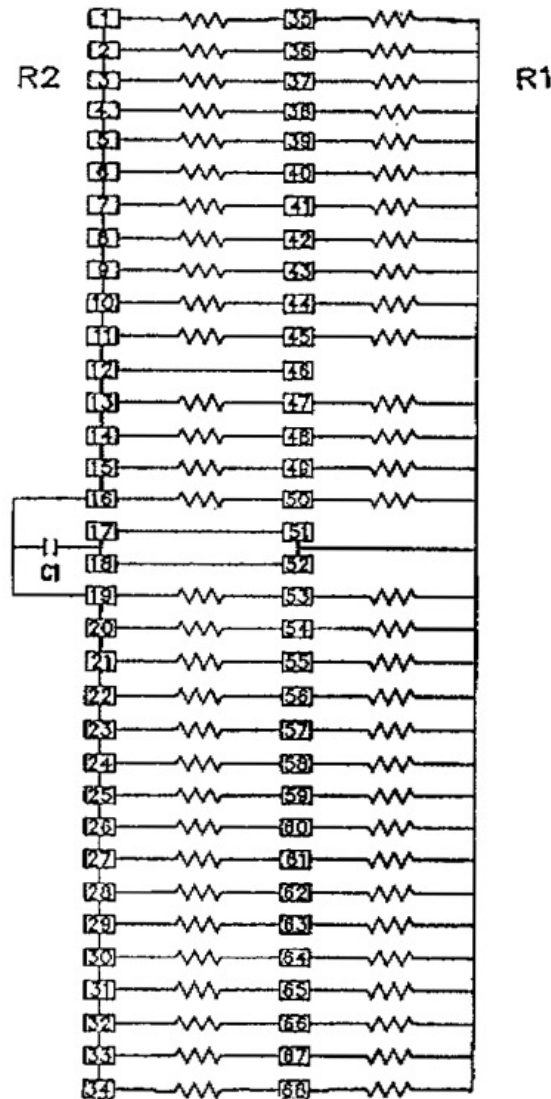
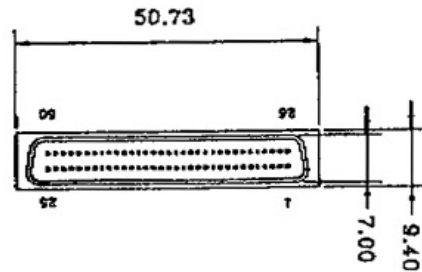
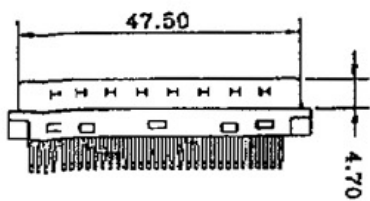
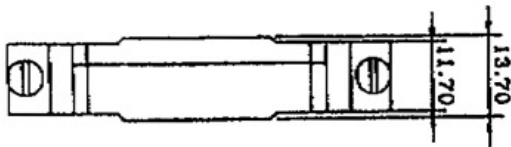
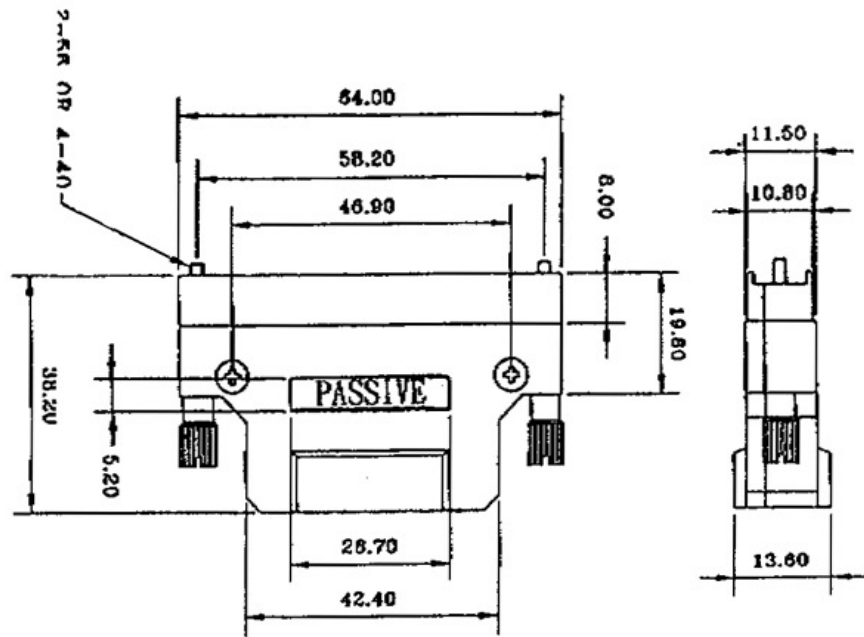


# SCSI III TERMINATOR



## NOTES

- R1 = 16 watt 220Ω±5%
- R2 = 16 watt 350Ω±5%
- C1 = 2.2μF +80%  
-20%  
16V ceramic

APPROVED	MICHAEL	ASSMANN ELECTRONICS, INC.
CHECKED	JIMMY	P/N: AB-Y315T
DRAWN	MICKEY	DES.: MD68M PASSIVE T. SCREW ASS'Y