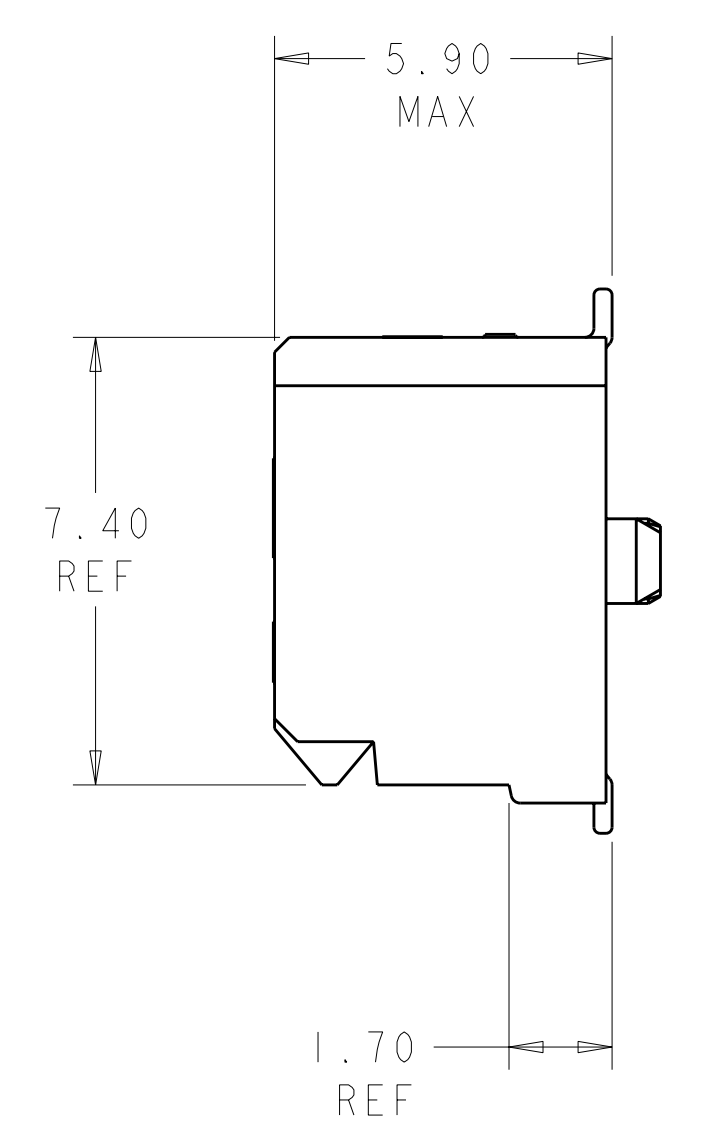
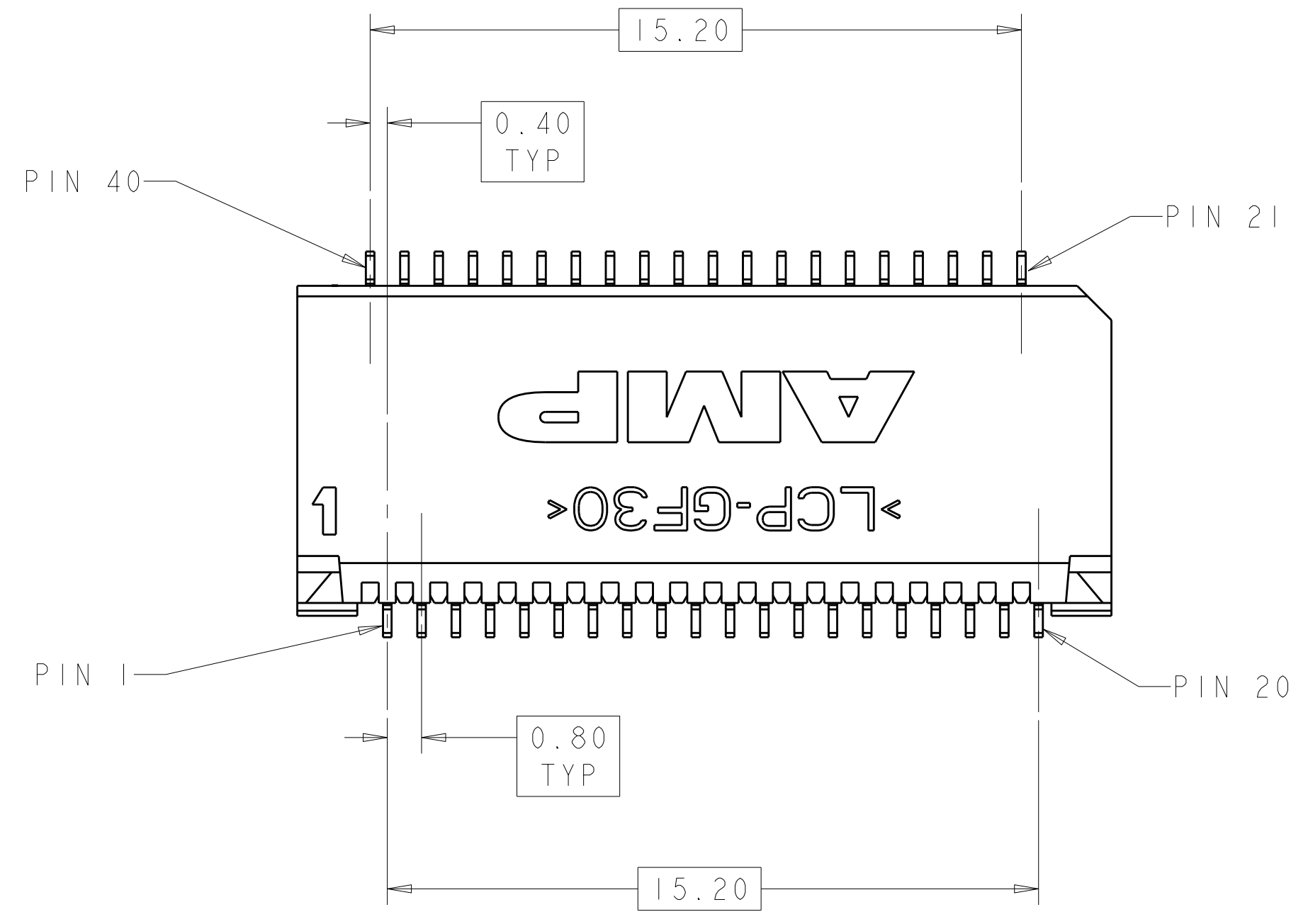
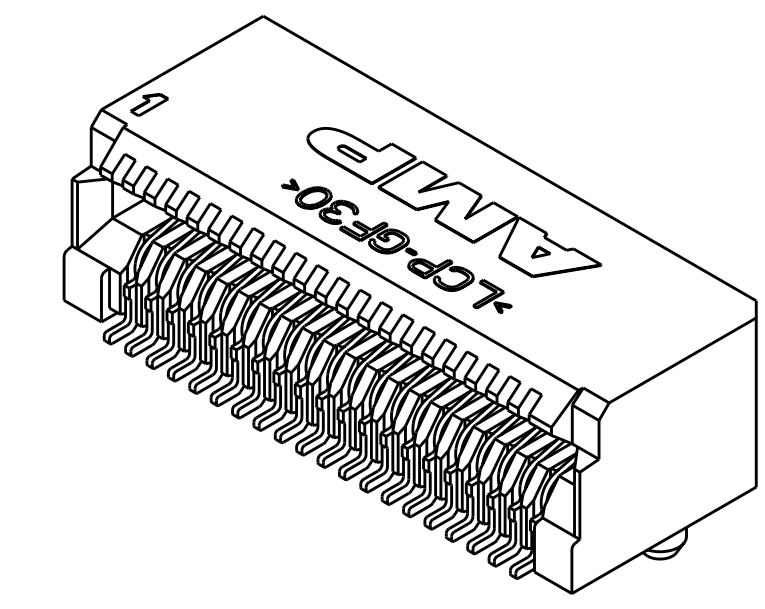


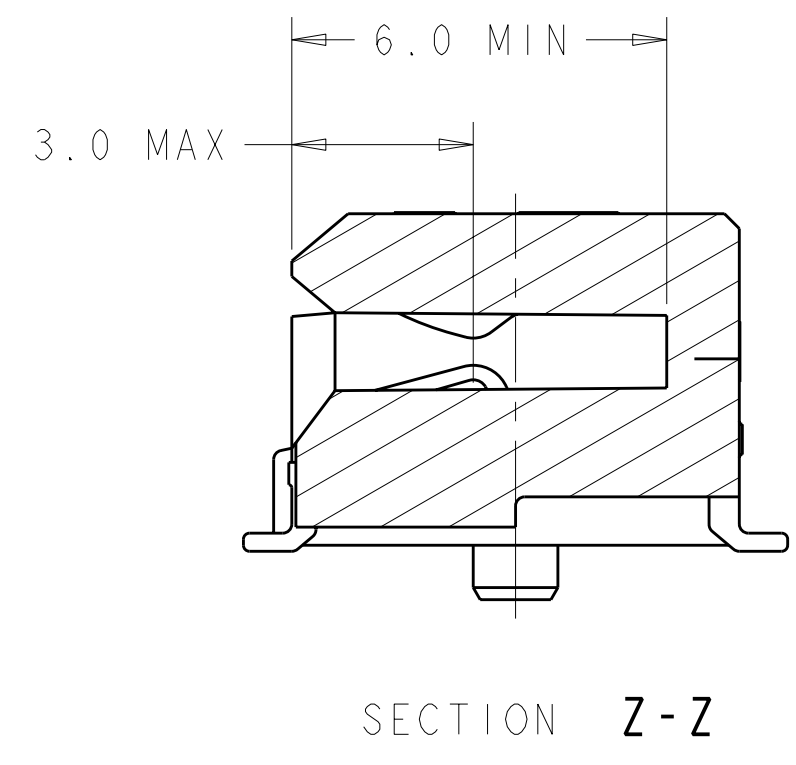
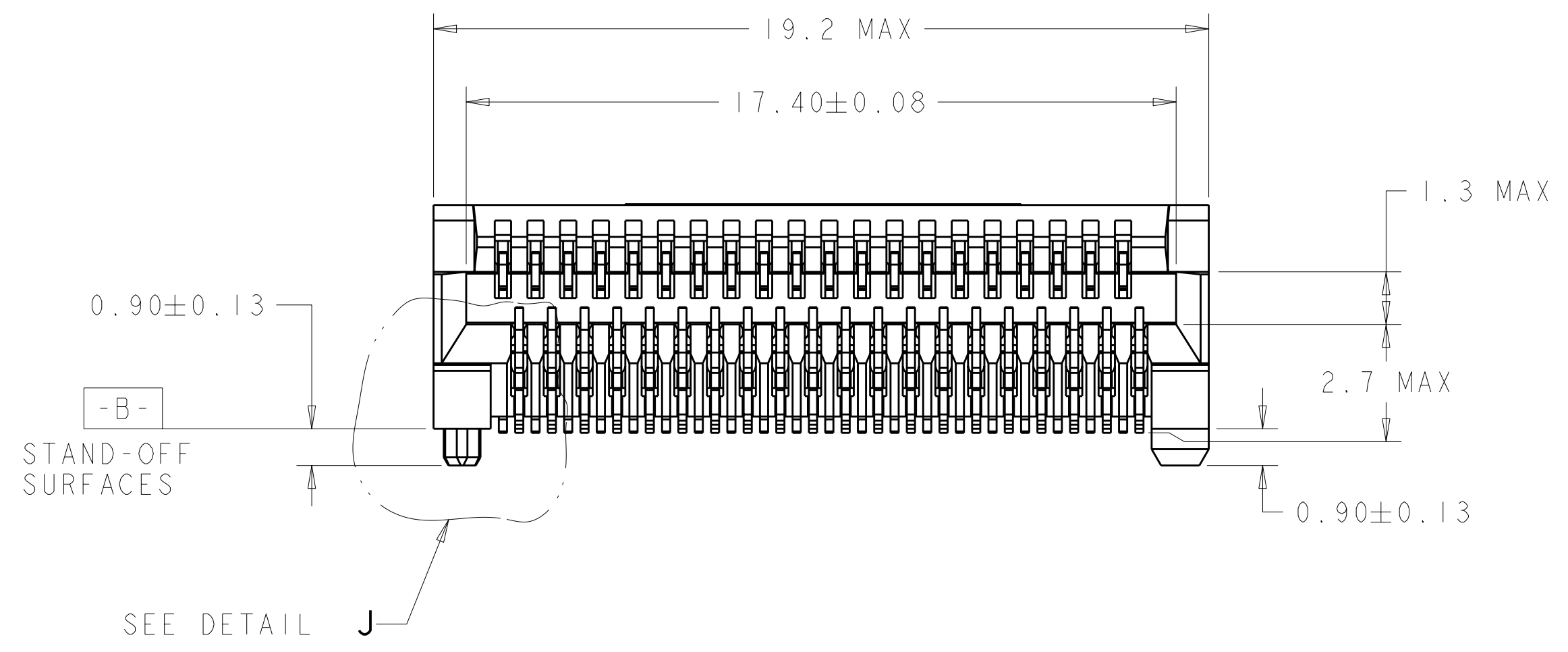
LOC	DIST	REV	DATE	BY	APPD
ES	00				
REVISIONS					
C		REVISED PER EC 0513-0307-05	22FEB06	BM	SS
D		REVISED PER EC 0513-0220-05	22FEB06	BM	SS
E		REVISED PER ECO-06-011603	15NOV06	BM	SS
F		REVISED PER ECR-07-025522	25OCT07	LL	SY



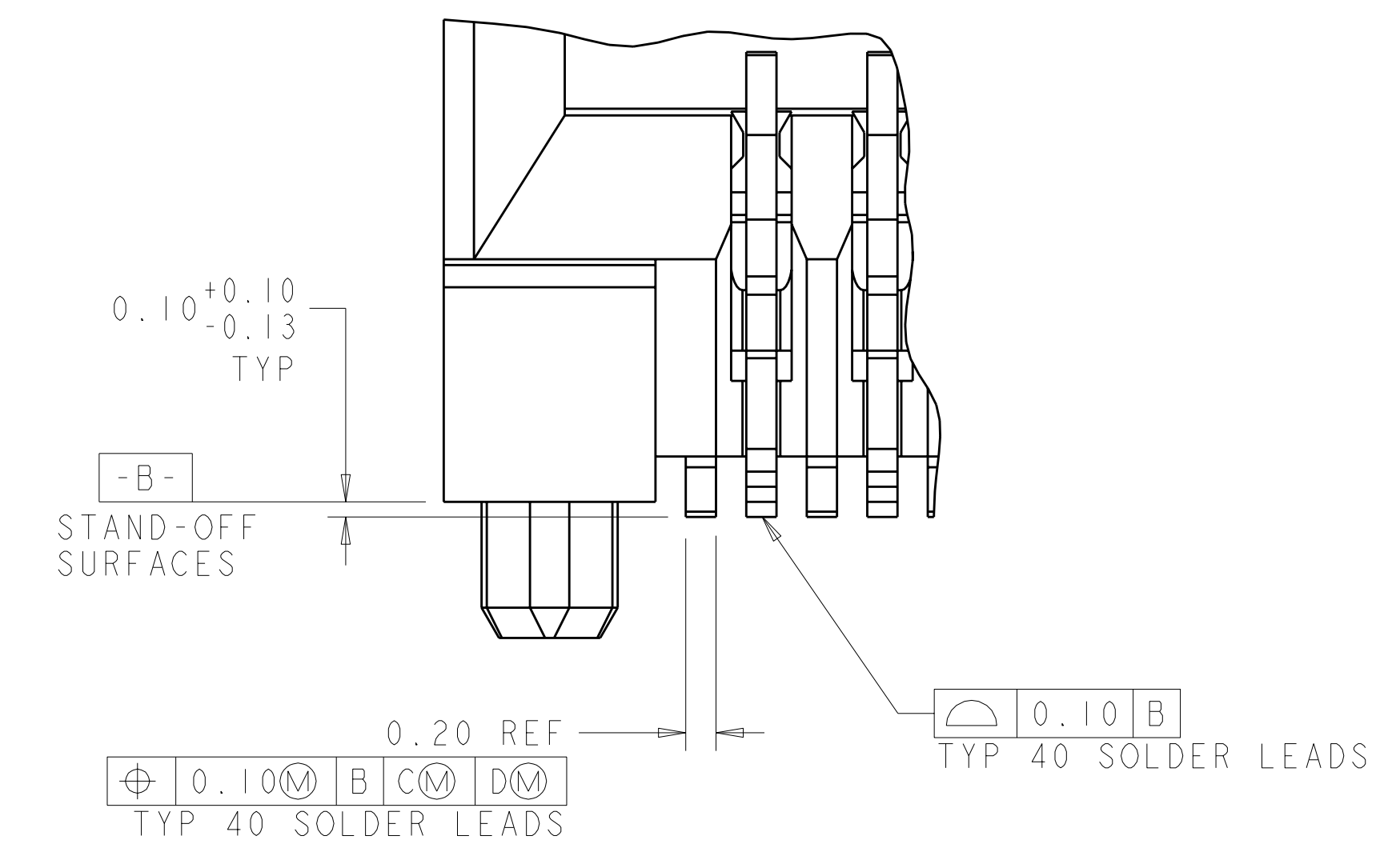
- △ HOUSING: HIGH TEMPERATURE LCP, UL 94V-0 RATED, BLACK.  
CONTACT: PHOSPHOR BRONZE.
- △ CONTACTS: 0.00038 MIN GOLD IN CONTACT AREA, 0.00013 MIN GOLD ON SOLDER AREA, OVER 0.0038 MIN NICKEL UNDERPLATE ON ENTIRE CONTACT.
- 3. PACKAGED PIECES PER REEL.
- △ GROUND, POWER AND SIGNAL PAD ARRANGEMENT TO BE DETERMINED BY CUSTOMER.
- △ DATUMS AND BASIC DIMENSIONS ESTABLISHED BY CUSTOMER.
- △ CONTACTS: 0.00076 MIN GOLD IN CONTACT AREA, 0.00013 MIN GOLD ON SOLDER AREA, OVER 0.0038 MIN NICKEL UNDERPLATE ON ENTIRE CONTACT.



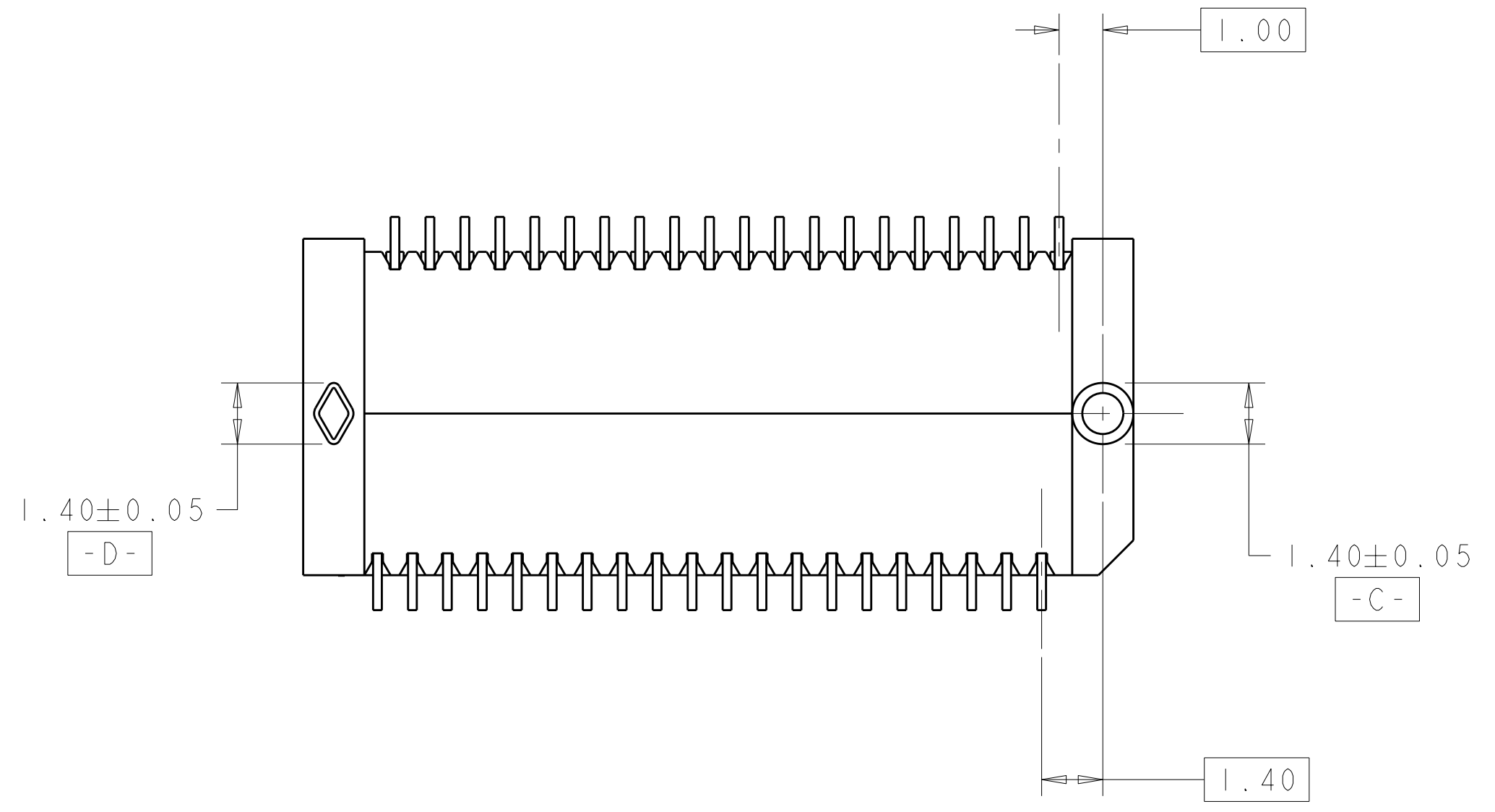
SCALE 5:1



SECTION Z-Z



DETAIL J  
SCALE 25:1



△ 6	1367384-2
△ 2	1367384-1
FINISH	PART NUMBER

DIMENSIONS: mm 9 PLC ± 1 PLC ± 2 PLC ±0.10 3 PLC ± 4 PLC ± ANGLES ± FINISH ±		TOLERANCES UNLESS OTHERWISE SPECIFIED: 9 PLC ± 1 PLC ± 2 PLC ±0.10 3 PLC ± 4 PLC ± ANGLES ± FINISH ±		DWN D. BROCKWAY I AMAROT CHK J. KOPPENHEFFER I AMAROT APVD J. KOPPENHEFFER I AMAROT NAME PT CONNECTOR ASSEMBLY, 40 POSITION, RTANG, 0.8MM PRODUCT SPEC 108-1949 APPLICATION SPEC 114-13017 WEIGHT CUSTOMER DRAWING		Tyco Electronics Corporation Shanghai, P.R.China, 200233 SIZE CAGE CODE DRAWING NO RESTRICTED TO A 100779 C=1367384 SCALE 8:1 SHEET 1 OF 2 REV F	
---	--	---	--	---	--	--	--

