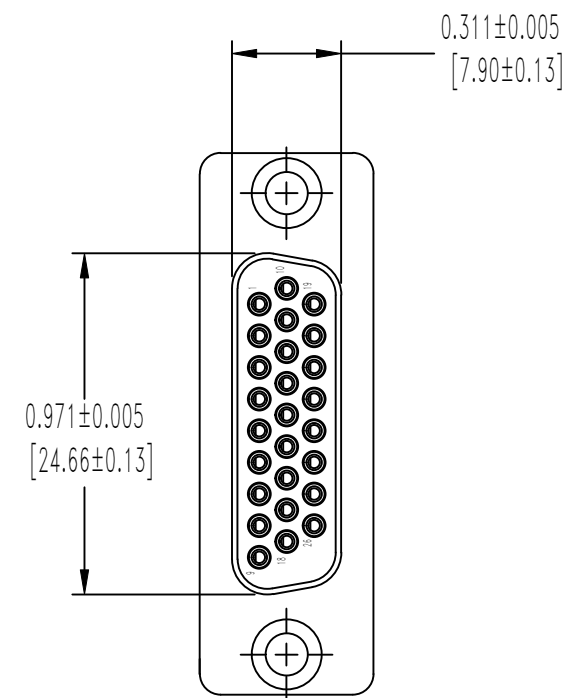
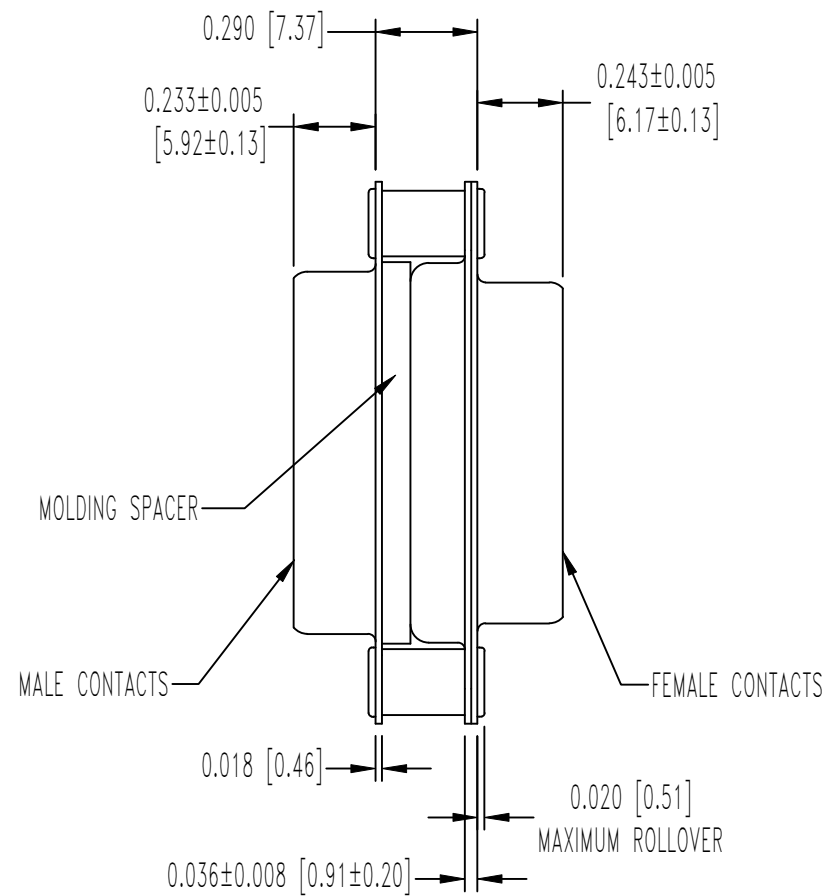
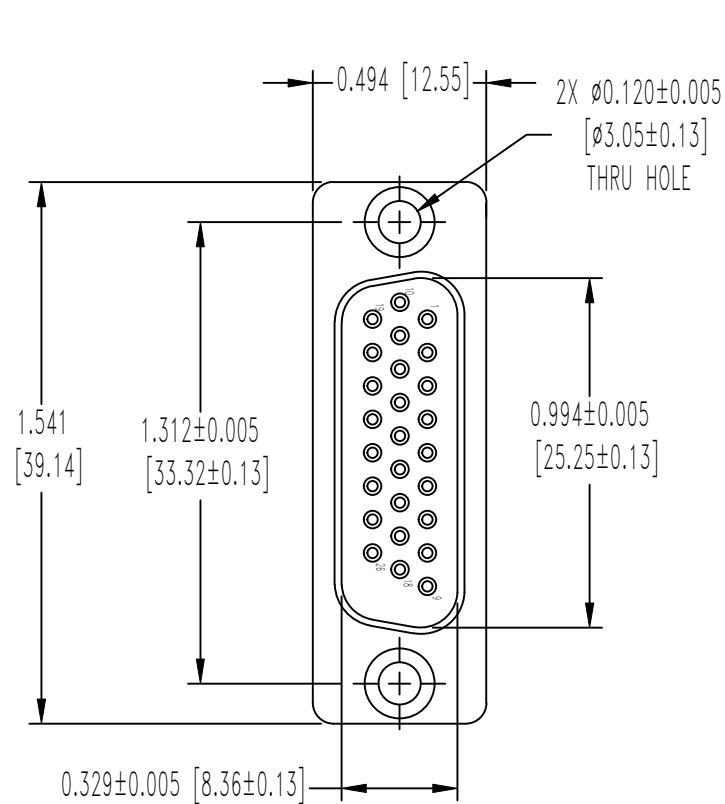


SK11975

THIS DRAWING CONTAINS INFORMATION PROPRIETARY TO POSITRONIC AND ITS SUBSIDIARIES. POSITRONIC BELIEVES THE DATA ON THIS DRAWING TO BE RELIABLE, SINCE THE TECHNICAL INFORMATION IS GIVEN FREE OF CHARGE, THE USER EMPLOYS SUCH INFORMATION AT HIS OWN DISCRETION AND RISK. POSITRONIC ASSUMES NO RESPONSIBILITY FOR RESULTS OBTAINED OR DAMAGES INCURRED FROM USE OF SUCH INFORMATION IN WHOLE OR IN PART.

DATE	REV	REVISION RECORD	APP	DR	CK
11-24-10	NC	ECO 33340	COLE	BS	COLE



NOTES:

- MATERIALS AND FINISHES:
 INSULATOR: GLASS FILLED POLYESTER PER ASTM-D5927, UL 94V-0, ASTM E-595, NASA-RP-1124, COLOR: BLUE.
 CONTACTS: PRECISION MACHINED COPPER ALLOY, 0.000050 [1.27µ] GOLD OVER COPPER PLATE.
 SHELLS: BRASS, 0.000050 [1.27µ] GOLD OVER COPPER PLATE.
 MOLDING SPACER: GLASS FILLED POLYESTER, COLOR: BLUE.
- DETAILED PRODUCT, MECHANICAL, AND ELECTRICAL INFORMATION IS AVAILABLE IN THE LATEST SPACE-D PRODUCT PUBLICATION. VISIT CONNECTPOSITRONIC.COM/PRODUCTS/62/HIGHPERFORMANCE-D-SUBMINIATURE OR CONNECTPOSITRONIC.COM.
- DIMENSIONS ARE IN INCHES [MILLIMETERS].

	POSITRONIC INDUSTRIES INC. www.connectpositronic.com		FSCM 28198
	DECIMAL TOL. ± 0.015 [0.38]	SCALE N.T.S.	DRAWN BY B SHELEDY
ANGULAR TOL. ± 5°	TITLE SADD SERIES		DATE 11-24-10
DRAWING NUMBER SK11975		REV. NC	