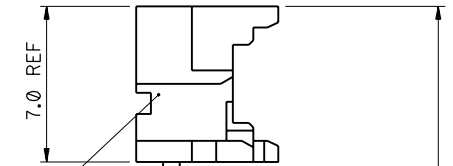
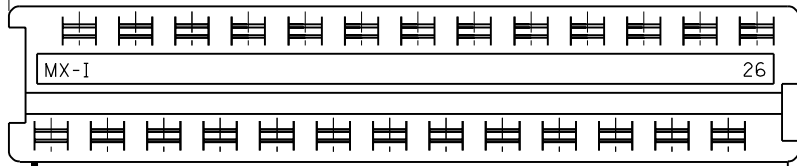


PART NO. 92308-0002
 DWG. NO. SDA-92308-0002

35.53 REF

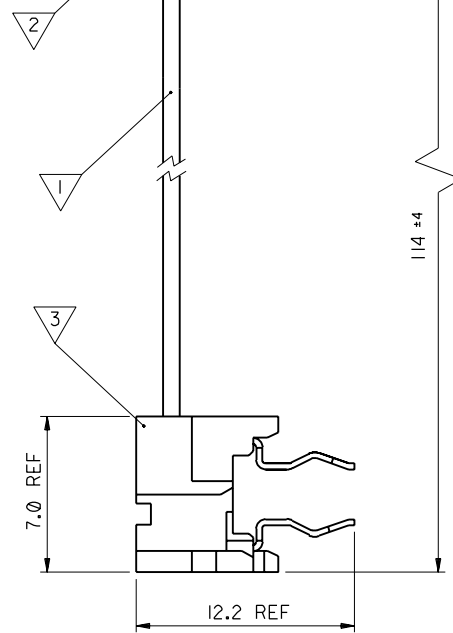
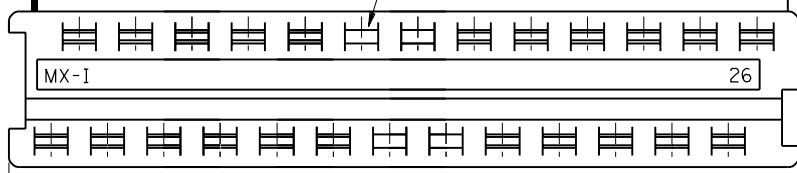
6.4 REF



CIRCUIT No. 1
IDENTIFICATION



VOIDED CCTS
12, 13, 14, 15



ITEM	COMPONENT	DESCRIPTION	QUANTITY	NOTE
1	99026-0037	26 CCT 28 AWG STRANDED TINNED RIBBON CABLE	115mm	4
2	90327-0326	PICOFLEX FEMALE IDT CONNECTOR	1	1, 2
3	90584-9001	PICOFLEX BOARD-IN IDT CONNECTOR	1	1, 3

CUSTOMER REF. No.	98AP-18B921-FB
RELEASE No.	DELE E 10757096 000

NOTES:

1. SEE PRODUCT SPECIFICATIONS PS-99020-0011.
2. SEE TERMINATION SPECIFICATION ES-99033-0001.
3. SEE TERMINATION SPECIFICATION ES-99033-0002.
4. SEE CABLE SPECIFICATION ES-99027-0006.

FOR PREVIOUS
DRAWING ISSUES
SEE MRI.

MODIFY TOLERANCE ECN E80 M8 97.10.13 DR	DRWG BY DR
LTR	CHK'D BY
	APP'D BY
	SCALE 5:1

DIMENSIONS SHOWN (METRIC) INCH UNLESS OTHERWISE SPECIFIED TOLERANCES: ANGULAR ± 1/2°	
INCH	(METRIC)
3 PLACE ± .	
2 PLACE ± .	±
1 PLACE ± .	±
DESIGN DIMENSION (PRIMARY) <input checked="" type="checkbox"/> (MM) <input type="checkbox"/> IN.	
EQUIVALENT DIMENSION (SECONDARY) <input type="checkbox"/> (MM) <input type="checkbox"/> IN.	

REVISE ONLY ON CAD SYSTEM		SHL	REV.
CAD/CAM FILENAME 592308X2 DGN		THIS DRAWING CONTAINS INFORMATION THAT IS PROPRIETARY TO MOLEX INC. & SHOULD NOT BE USED WITHOUT WRITTEN PERMISSION	
TITLE PICOFLEX RIBBON CABLE HARNESS			
MOLLEX MOLEX EUROPE		SHEET NO. 10F1	DATE 97/02/12
PART NO. 92308-0002	DWG NO. SDA-92308-0002	SIZE B	