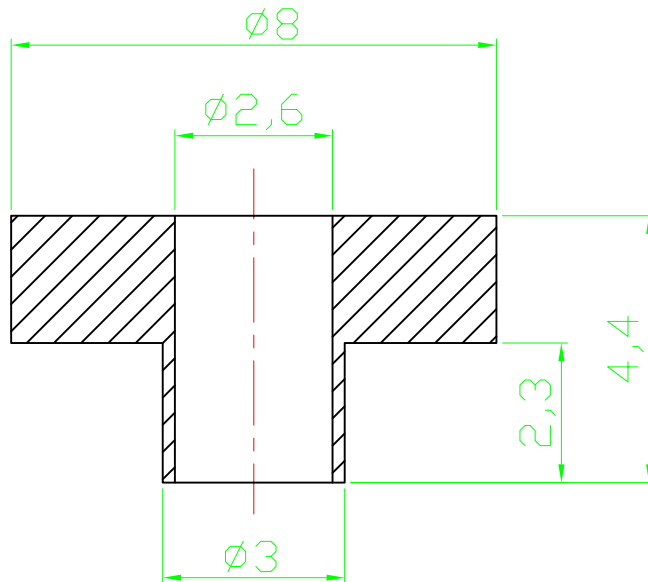


RoHS compliant



Notes  
 Material:SR25  
 Dielectric strength: 380kV/cm  
 Heat resistance:215°C  
 Tensile strength: 80N/mm

Scale	1:1					Date	Name	Customer-No.
TOLERANCE						Drawn	20.08.2009	Dean
X.	±X					Approved	10.03.2010	Andy
X.X	±X							
X.XX	±X							
DIM	TOL	②	Modify drawing layout	10.03.2010	Andy			Drawing-No.
X.°	±X°	①	Drawn	20.08.2009	Dean			ASSMANN WSW-No.
X.X°	±X°							V5817
Angle	TOL	Id.	Modification	Date	Name	Replace	ASS 0489A HS	rev02
								Sheet

1

2

3

4

5

6

7

A

A

B

B

C

C

D

D

E

E

F

F

G

G

H

H

1

2

3

4

5

6

7