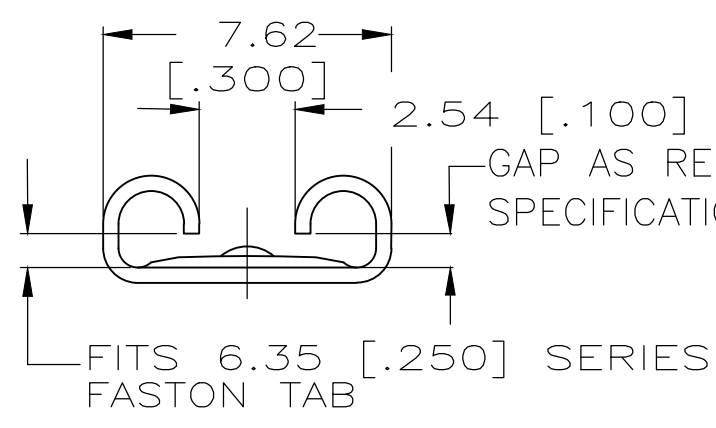
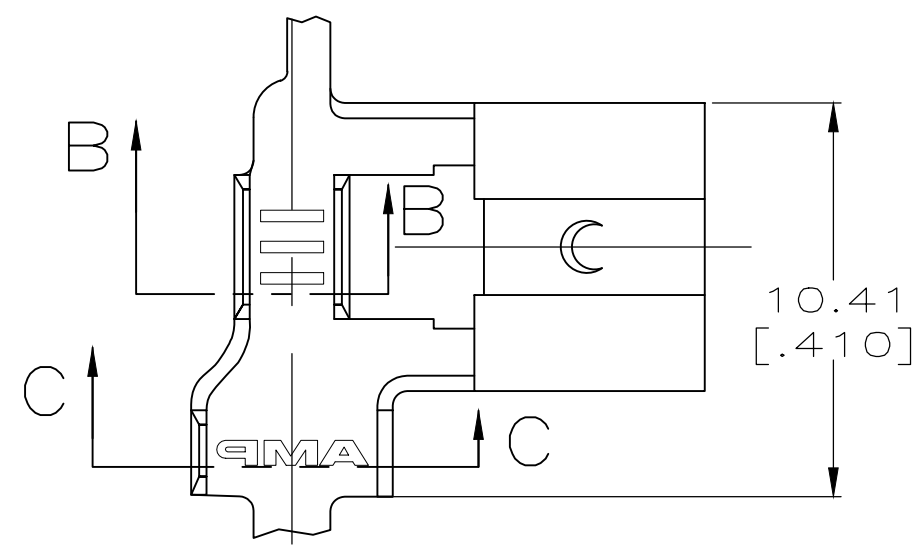


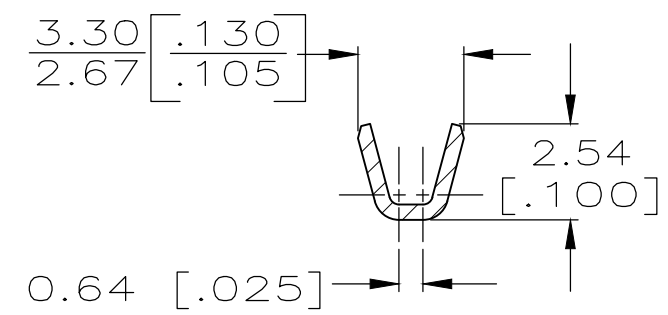
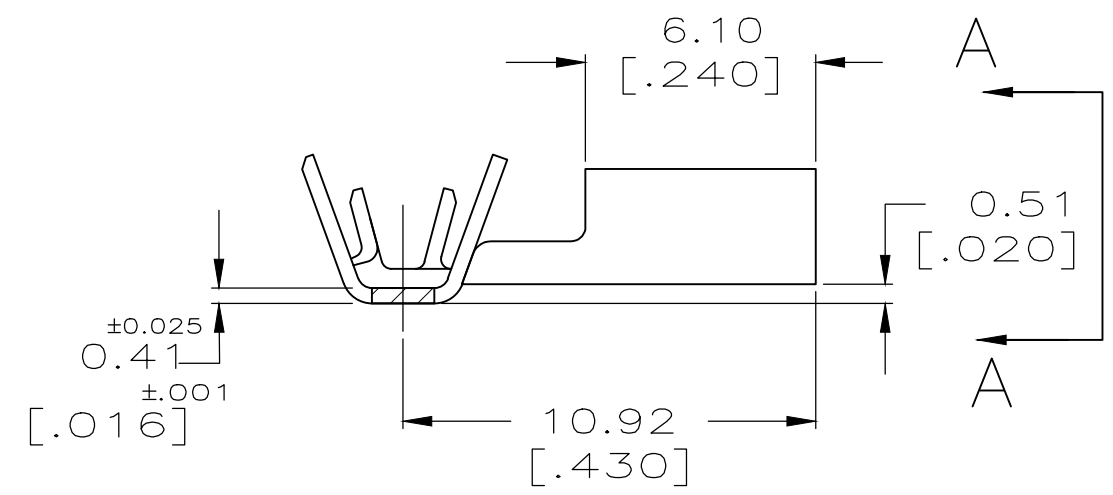
THIS DRAWING IS UNPUBLISHED. RELEASED FOR PUBLICATION
 © COPYRIGHT - By - ALL RIGHTS RESERVED.

LOC	DIST	REVISIONS					
AF	50	P	LTR	DESCRIPTION	DATE	DWN	APVD
			F1	REVISED PER ECR-20-009164	28JUL2020	MK	DH

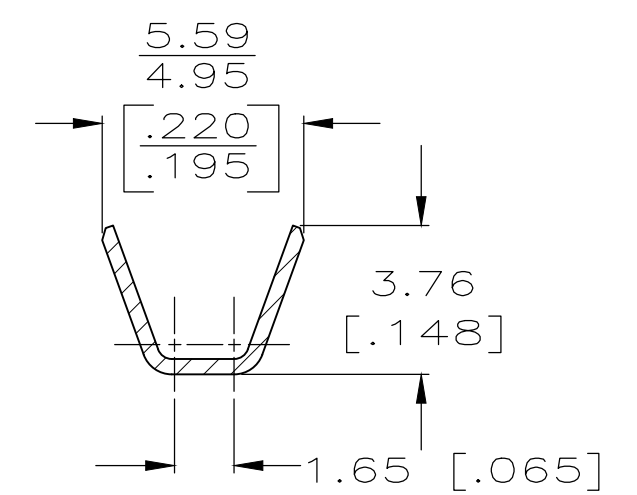


1 CONTINUOUS STRIP ON REELS.

VIEW A-A



SECTION B-B



SECTION C-C

TIN	1.52-2.54 [.060-.100] DIA	0.3-0.9mm ² [22-18] AWG	0.84-0.76 [.033-.030]	62814-2
-				62814-1
FINISH	INSUL RANGE	WIRE SIZE	MATING TAB THK	PART NO

THIS DRAWING IS A CONTROLLED DOCUMENT.		DWN	JR RUTH	4/8/91	TE Connectivity															
DIMENSIONS: mm [INCHES]		CHK	MS FEHER	4/8/91				NAME RECEPTACLE, FASTON, FLAG, 6.35 [.250] SERIES												
TOLERANCES UNLESS OTHERWISE SPECIFIED:		APVD	C MEYERS	4/8/91																
<table border="0"> <tr><td>0 PLC</td><td>± -</td></tr> <tr><td>1 PLC</td><td>± -</td></tr> <tr><td>2 PLC</td><td>± -</td></tr> <tr><td>3 PLC</td><td>± 0.38 [.015]</td></tr> <tr><td>4 PLC</td><td>± -</td></tr> <tr><td>ANGLES</td><td>± -</td></tr> </table>		0 PLC	± -	1 PLC				± -	2 PLC	± -	3 PLC	± 0.38 [.015]	4 PLC	± -	ANGLES	± -	PRODUCT SPEC	-		SIZE
0 PLC	± -																			
1 PLC	± -																			
2 PLC	± -																			
3 PLC	± 0.38 [.015]																			
4 PLC	± -																			
ANGLES	± -																			
MATERIAL	BRASS	FINISH	SEE TABLE	WEIGHT	-	A300779	C-62814	-												
CUSTOMER DRAWING					SCALE	5:1	SHEET	1 OF 1	REV	F1										