

N-259MG

Electrical Specifications (@25°C)

1. Maximum Power: 1000 VA
2. Input Voltage: 230 V, 50 / 60 Hz
3. Output Voltage: 115V ± 5%
4. Full Secondary Load: 8.70 Amps RMS
5. Voltage Regulation: 5 % TYP @ full load to no load

Description:

The N-259MG is a power transformer for isolating equipment from direct connection to the powerline. The primary and secondary coils are concentrically wound providing excellent magnetic coupling. Having good magnetic coupling between windings helps reduce leakage flux and phase shift.

Safety:

These units are designed with 1500V isolation between winding to winding and between winding and core. Materials and construction are rated for Class B insulation system.

Dimensions:

Unit: In inches

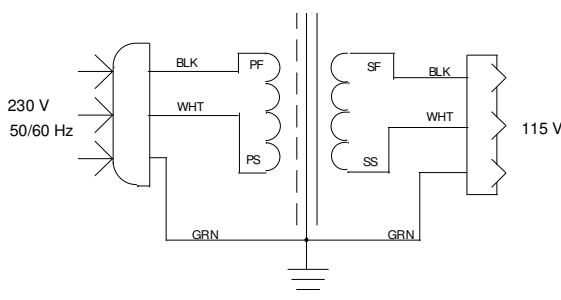
A	B	C	D	E
5.312	4.50	7.125	3.50	6.00

Weight: 31.00 lbs

Mounting Holes: 0.50 x 0.250

Connections: 6 ft. long cord, 6-15P NEMA Plug, 5-15R NEMA Receptacle

Schematic:



RoHS Compliance: As of manufacturing date February 2016, all standard products meet the requirements of 2015/863/EU, known as the RoHS 3 initiative.

* Upon printing, this document is considered "uncontrolled". Please contact Triad Magnetics' website for the most current version.

