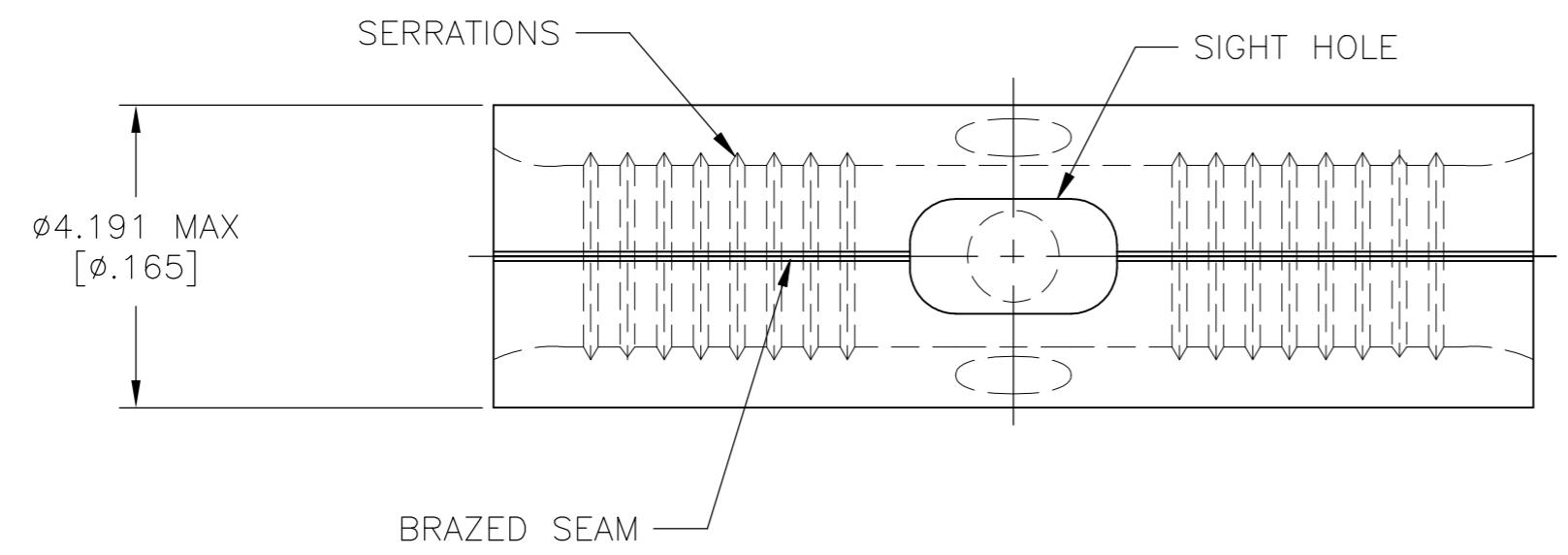


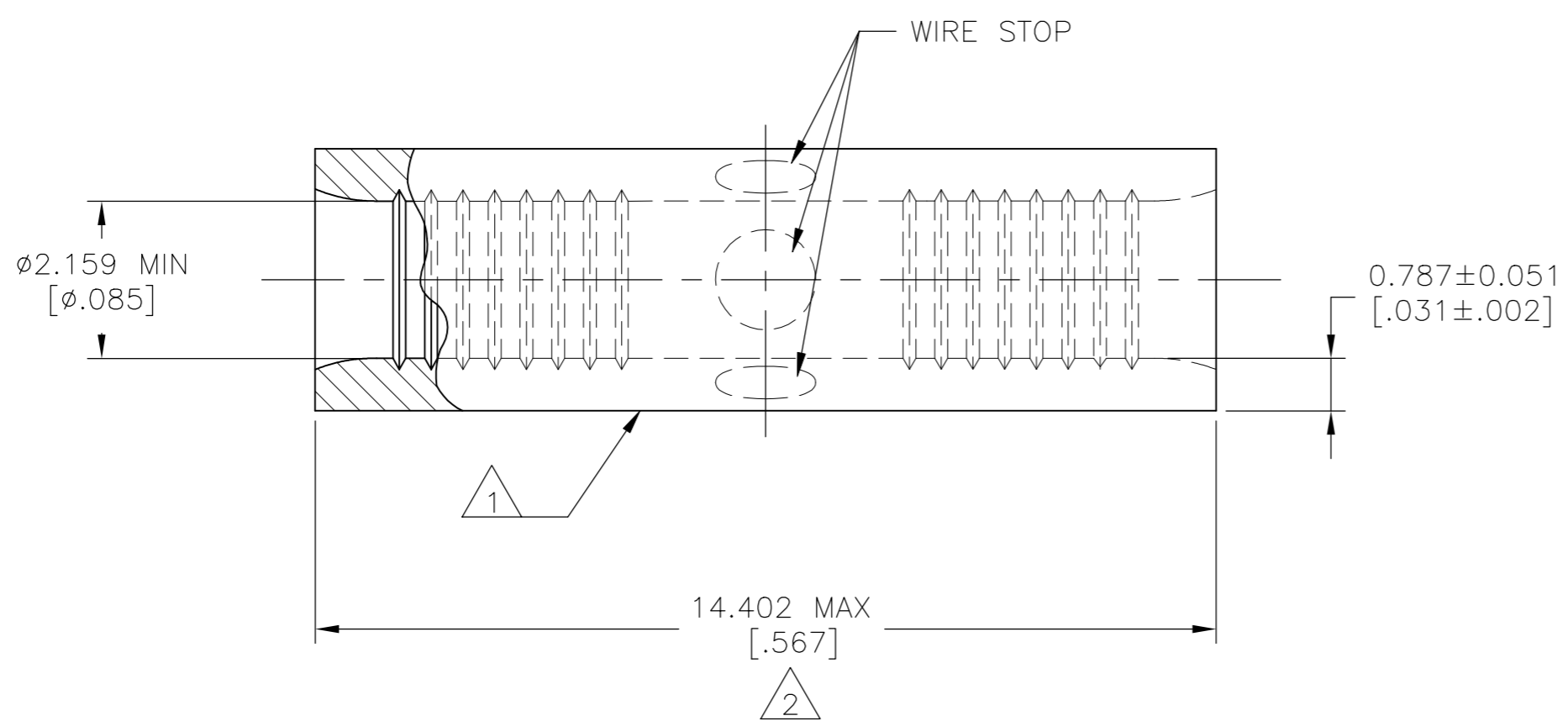
THIS DRAWING IS UNPUBLISHED. RELEASED FOR PUBLICATION
 © COPYRIGHT - TE Connectivity Ltd. ALL RIGHTS RESERVED.

P	LTR	DESCRIPTION	DATE	DWN	APVD
G		REV PER 0G3A-0035-05	28FEB05	JR	MJS
G1		REVISED PER ECO-17-008806	15FEB2018	RS	DR

AMP WIRE RANGE	Listed FILE E13288	LR7189 Certified
16-14 AWG SOLID OR STRANDED	16-14 AWG SOLID OR STRANDED	16-14 AWG SOLID OR STRANDED



- 1 STAMP AMP 16-14* APPROX AS SHOWN
- 2 MAXIMUM LENGTH DOES NOT INCLUDE MANUFACTURING TABS
- 3 TIN PLATE 0.00254 [.000100] MIN THK PER ASTM B-545
- 4 NOTE DELETED
- 5 COPPER PER ASTM B-152, ANNEALED
- 6 NOTE DELETED



3	100	LOOSE PIECE, BOX	8-330368-1
3	1000	LOOSE PIECE	330368
FINISH	QTY	PACKAGING TYPE	PART NO.

AMP INCORPORATED
CUSTOMER SERVICE SYSTEMS

FOR ADDITIONAL PRODUCT INFORMATION OR COPIES OF DRAWINGS AND TECHNICAL DOCUMENTS
 PRODUCT INFORMATION CENTER
 1-800-522-6752

FOR APPLICATION
 TOOLING ASSISTANCE CENTER
 1-800-722-1111

TOOLING INFORMATION
 1-800-722-1111

FOR ORDER ENTRY
 1-800-526-5142

MAX RECOMMENDED OPERATING TEMPERATURE:
 170°C[338°F] MAX

VOLTAGE RATING:
 N/A

CIRCULAR MIL AREA:
 1.04-2.62mm²[2,050-5,180]
 SOLID OR STRANDED

THIS DRAWING IS A CONTROLLED DOCUMENT.

DIMENSIONS:
 mm [INCHES]

TOLERANCES UNLESS OTHERWISE SPECIFIED:

0 PLC	± -
1 PLC	± -
2 PLC	± -
3 PLC	± 0.127[.005]
4 PLC	± -
ANGLES	± -

MATERIAL
 - 5

FINISH
 SEE TABLE

DWN TA BRINKMAN 4-13-93
 CHK DA PATTERSON 4-13-93
 APVD JL MECKLEY 4-13-93

TE TE Connectivity Ltd.

NAME
 SPLICE, BUTT,
 SIGHT HOLE, SOLISTRAND
 16-14 AWG

APPLICATION SPEC
 UL 486 A-B

SIZE A2 CAGE CODE 00779 DRAWING NO. C-330368 RESTRICTED TO -

CUSTOMER DRAWING SCALE 10:1 SHEET 1 of 1 REV G1