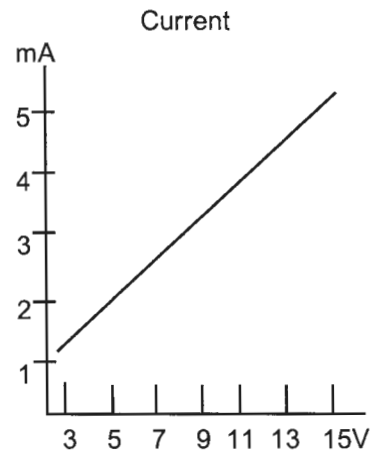
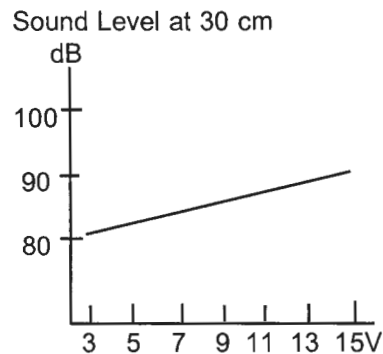
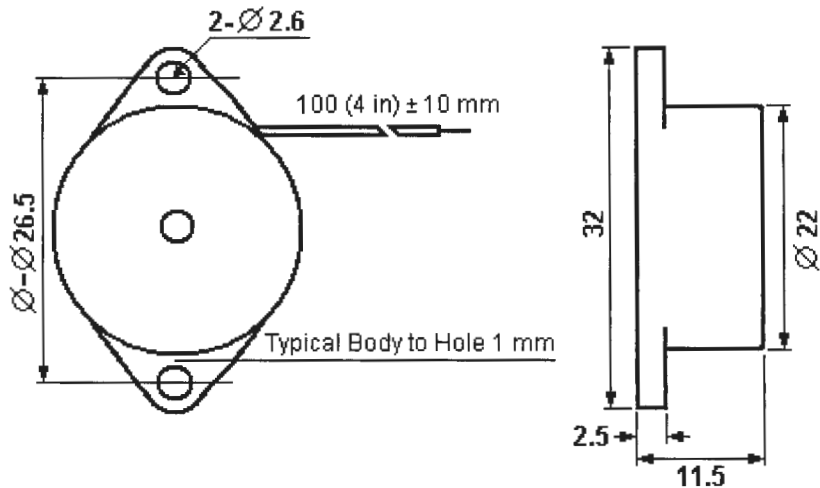


PIEZO BUZZER with INTERNAL CIRCUITRY

BRP2212L-12-C Series

RoHS Compliant

Dimensions in mm



SPECIFICATIONS:

Model No.	BRP2212L-12-C
Operating Voltage (VDC)	3 ~ 15
Frequency (Hz)	4000 ± 500
Current @ 12 V (mA)	4.5
Output (dB)	90
Temperature (C)	-10 to 60

Housing Tolerance: ± 0.2mm

Lead Wires: 2 - PVC, 30 Gauge Wires

7 strand, diameter 0.9mm ± 0.1mm

Wire Length: 100 ± 10.0mm

stripped to 4.0 ± 1.0mm

INTERVOX
International ©

INTERNATIONAL COMPONENTS CORPORATION
215 MCCORMICK DRIVE, BOHEMIA, NY 11716
FAX: 631-952-9595 FAX: 631-952-9597

Title:

Piezo Buzzer with Internal Circuit Type

Code:
G14

Intervox Model #
BRP2212L-12-C

Rev
A

Scale:
mm

Date:
3/11/2009

Sheet **1** of **1**