

1

2

3

4

5



Specifications:

Current Rating: 1.8A AC/DC (VBUS & GND)
0.25A AC/DC (Others)

Low Level Contact Resistance: 30m ohm. Max.
30m ohm Max. initial (VBUS and GND)
50m ohm Max. initial (Others)

Insulation Resistance: 1000M ohm. Min.
Withstanding Voltage: AC 500V r.m.s

Operating Temperature Range: -40°C ~ +105°C

Materials:

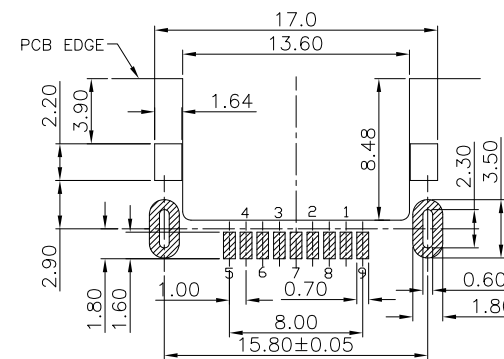
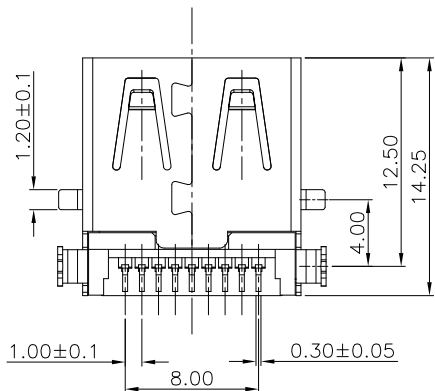
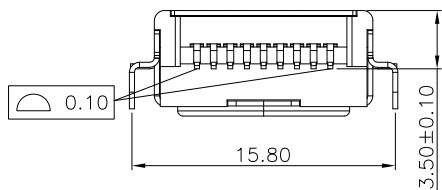
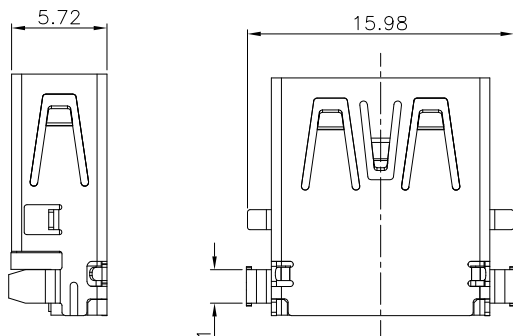
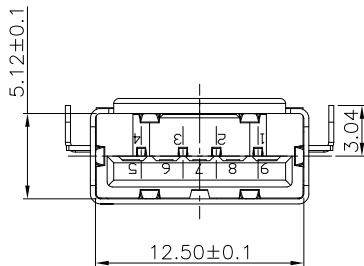
Insulator: LCP (UL94V-0)

Insulator Color: Blue

Contact: Phosphor Bronze

Plating: 15u" Gold Plated on Contact Area,
Tin Plated on Solder Tail.

Shell: Brass, Nickel Plated



PCB Layout

RoHS Compliant

REV	DATE	FILE	BY

DRAWN:	GENERAL TOLERANCE: .X=±0.20 .XX=±0.15
CHECKED:	UNIT: MM
	SCALE: 1:1
APPROVAL:	SHEET: 1 / 2
	PROJECTION:

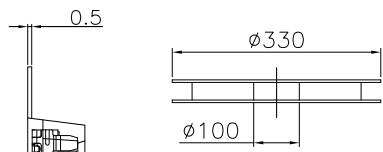
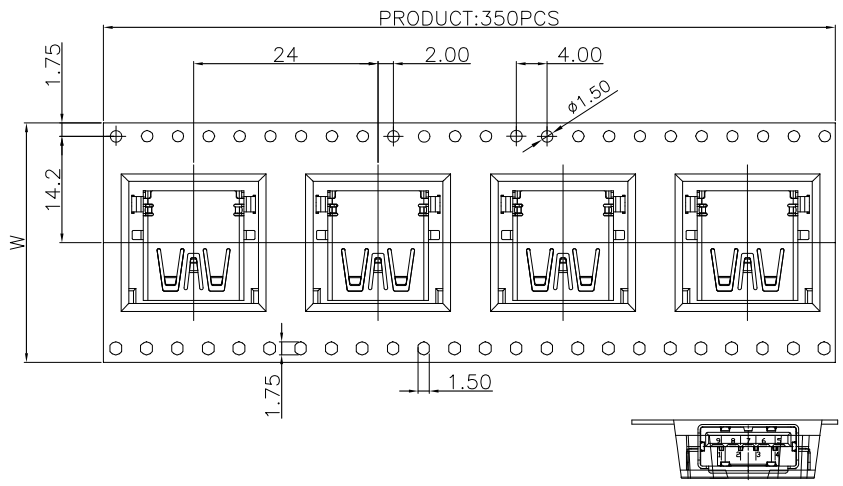
CnC Tech Industrial Cable and Connector Technology	
DESCRIPTION: USB 3.0 SMD R/A Type Receptacle, 15u"	SIZE A4
PART NO: 1003-002-01100-TR	

A

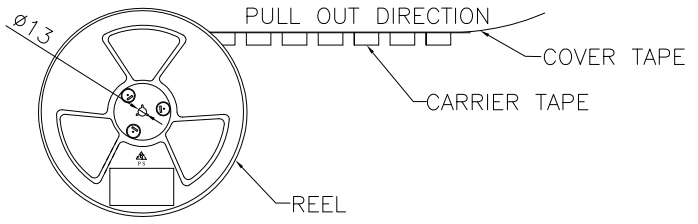
B

C

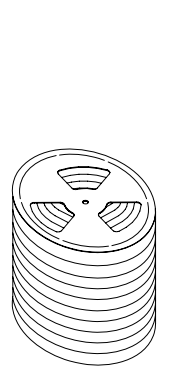
D



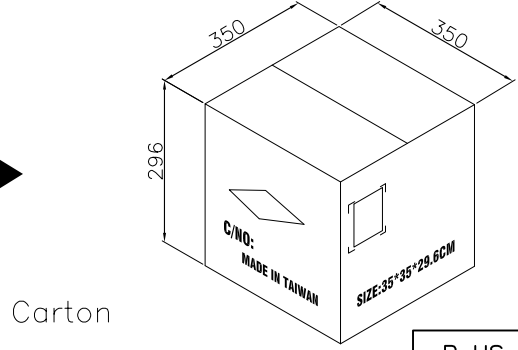
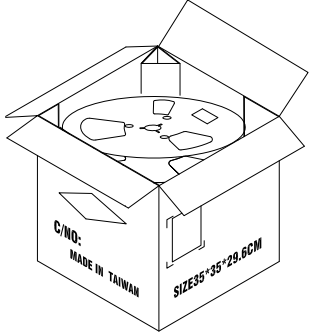
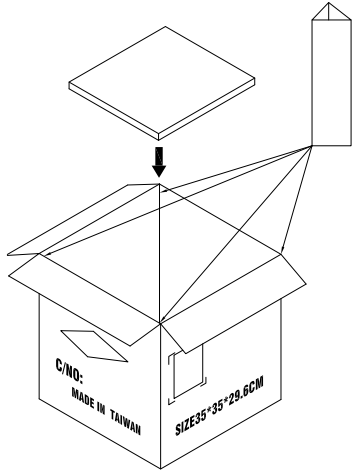
Note:
 1.Dimension:
 Carton Size:350X350X296 (mm)
 2.Qunntity:
 350 Pcs/R
 7 R/Carton
 Q'TY: 2450pcs



Pin. NO	W	Pcs/R	R/Carton	Q'TY
09	32	350	7	2450



7/Reel



Carton

RoHS Compliant

REV	DATE	FILE	BY

DRAWN:
 CHECKED:
 APPROVAL:

GENERAL TOLERANCE:
 .X=±0.20
 .XX=±0.15
 UNIT: MM
 SCALE:1:1
 SHEET: 2 / 2
 PROJECTION:

CnC Tech
 Industrial Cable and Connector Technology
 DESCRIPTION:
USB 3.0 SMD R/A Type Receptacle, 15u"
 PART NO:
1003-002-01100-TR

SIZE
A4