



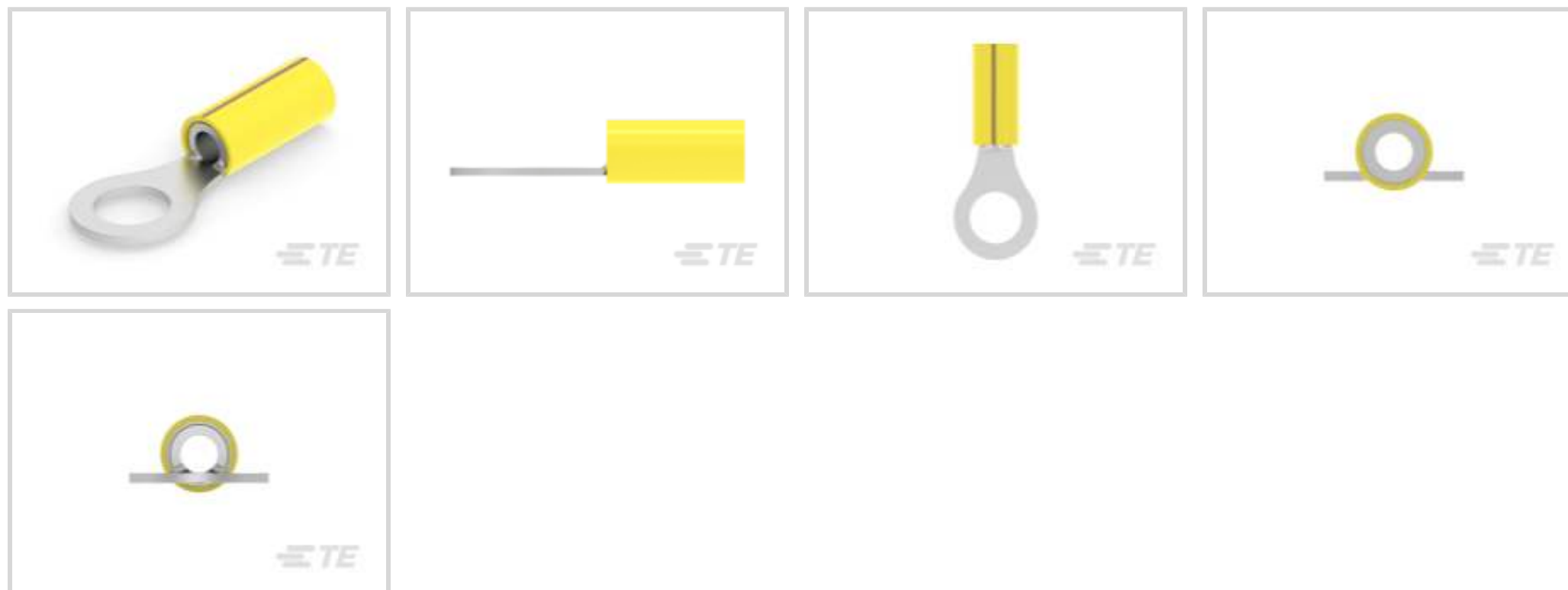
PIDG

TE Internal #: 2-320576-3

Ring Terminals & Spade Terminals, Ring Tongue, 10 AWG Wire Size, 6.11 mm² Wire Size, 12066 CMA Wire Size, Stud Size 5/16 / M8, PIDG

[View on TE.com >](#)

Terminals & Splices > Ring Terminals & Spade Terminals > PIDG Ring Tongue Terminals



Ring & Spade Terminal Type: **Ring Tongue**

Wire Size: **12066 CMA**

Stud Size: **5/16, M8**

[All PIDG Ring Tongue Terminals \(421\)](#)

Features

Product Type Features

Stud Size	5/16, M8
Sealable	No
Wire Insulation Support Retention Type	Insulation Restriction

Configuration Features

Number of Holes	1
-----------------	---

Electrical Characteristics

Voltage Rating	300 V
----------------	-------

Body Features

Product Weight	2.386 g
Stripe Color	Brown

Contact Features

Military Part Class	Class I
Ring & Spade Terminal Type	Ring Tongue



Barrel Type	Closed
Terminal Orientation	Straight
Terminal Plating Material	Tin

Mechanical Attachment

Wire Insulation Support	With
-------------------------	------

Dimensions

Wire Size	12066 CMA
Stud Diameter	7.92 mm[.312 in]
Tongue Thickness	.79 mm[.031 in]
Product Length	35.36 mm[1.392 in]
Compatible Insulation Diameter (Max)	5.08 mm[.2 in]
Compatible Insulation Diameter Range	3.02 – 5.08 mm[.119 – .2 in]

Usage Conditions

Insulation Option	Partially Insulated
Operating Temperature Range	105 °C[221 °F]

Operation/Application

Compatible With Wire Base Material	Copper
Compatible With Wire Plating Material	Tin

Industry Standards

Government Qualified Terminal	Yes
-------------------------------	-----

Packaging Features

Packaging Quantity	500
Packaging Method	Box

Product Compliance

[For compliance documentation, visit the product page on TE.com>](#)

EU RoHS Directive 2011/65/EU	Compliant
EU ELV Directive 2000/53/EC	Compliant
China RoHS 2 Directive MIIT Order No 32, 2016	No Restricted Materials Above Threshold
EU REACH Regulation (EC) No. 1907/2006	Current ECHA Candidate List: JUNE 2023 (235) Candidate List Declared Against: JUL 2021 (219)



Does not contain REACH SVHC

Halogen Content

BFR/CFR/PVC Free, but Br/Cl >900 ppm in other sources.

Solder Process Capability

Not applicable for solder process capability

Product Compliance Disclaimer

This information is provided based on reasonable inquiry of our suppliers and represents our current actual knowledge based on the information they provided. This information is subject to change. The part numbers that TE has identified as EU RoHS compliant have a maximum concentration of 0.1% by weight in homogenous materials for lead, hexavalent chromium, mercury, PBB, PBDE, DBP, BBP, DEHP, DIBP, and 0.01% for cadmium, or qualify for an exemption to these limits as defined in the Annexes of Directive 2011/65/EU (RoHS2). Finished electrical and electronic equipment products will be CE marked as required by Directive 2011/65/EU. Components may not be CE marked. Additionally, the part numbers that TE has identified as EU ELV compliant have a maximum concentration of 0.1% by weight in homogenous materials for lead, hexavalent chromium, and mercury, and 0.01% for cadmium, or qualify for an exemption to these limits as defined in the Annexes of Directive 2000/53/EC (ELV). Regarding the REACH Regulation, the information TE provides on SVHC in articles for this part number is based on the latest European Chemicals Agency (ECHA) 'Guidance on requirements for substances in articles' posted at this URL: <https://echa.europa.eu/guidance-documents/guidance-on-reach>

Compatible Parts



TE Part # 58433-3
PRO CR ASSY, RBY IS9252



TE Part # 59239-4
HHHT PIDG PG 12-10 ASSY



TE Part # 58423-1
DIE, RBY IS9252



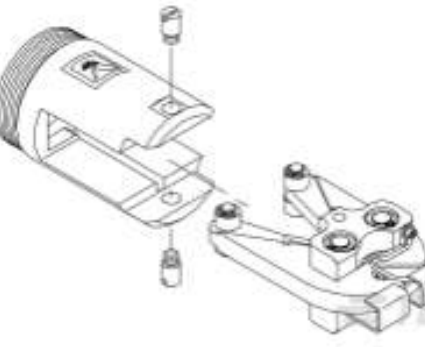
TE Part # 59824-1
TETRA-CRIMP PIDG PG FASTON 22-10 ASSY



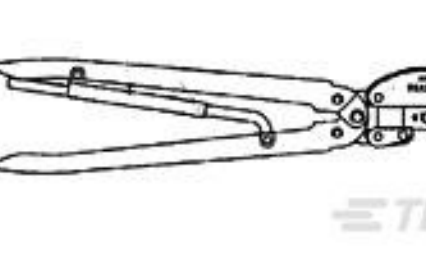
TE Part # 2063030-1
SDE DIESET, RBY, UL



TE Part # 47808-6
DIES PIDG 12-10 DIE SET



TE Part # 679300-1
1210 PIDG CRIMP HEAD



TE Part # 1-59239-4
HHHT PIDG 16-10 HEAD



TE Part # 1SET191001R0000
CRIMP-HT



TE Part # 1SET191002R0000
TET CRIMP-HT



TE Part # 169404
CERTI-LOK DIE

Also in the Series | PIDG



Compression Connectors(17)



Crimp Terminal Housings(1)



Crimp Wire Pins, Tabs & Ferrules(40)



Hand Crimping Tools(2)



Knife Disconnects(11)



PCB Terminals(9)



Quick Disconnects(49)



Ring Terminals & Spade Terminals(861)



Special Purpose Terminals(1)



Splices(47)

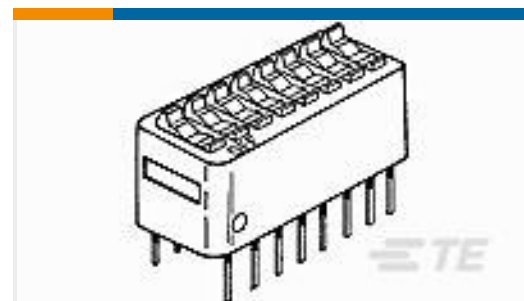
Customers Also Bought



TE Part #330969
TERMINAL,SOLIS R 6HD 1/4



TE Part #2-1825138-7
A201SYZB04



TE Part #5435640-3
DIP SW 5POSN AU



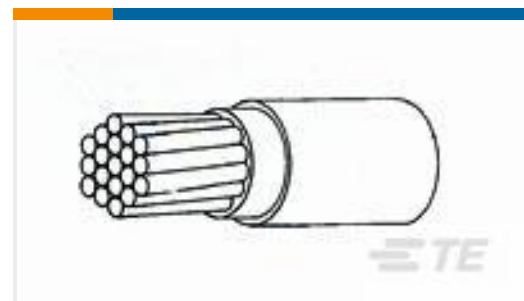
TE Part #2-320577-2
TERMINAL,PIDG R IR 10 3/8



TE Part #1-1393793-6
V23105A5501A201



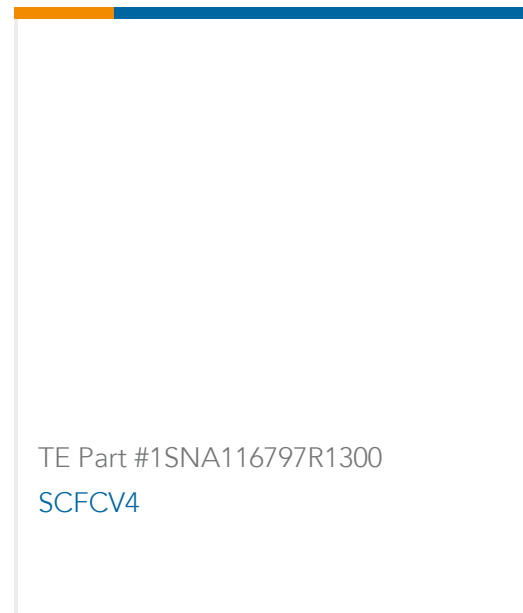
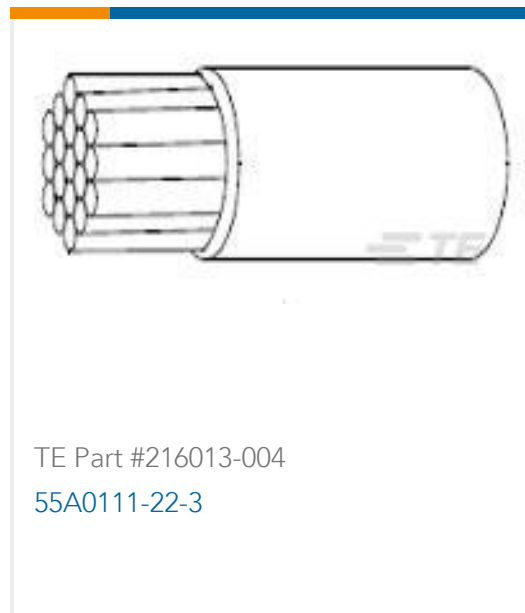
TE Part #340907-000
55PC0211-22-9



TE Part #282026-019
44A0111-20-6



TE Part #5-1618388-4
LEV200A4ANF=RELAY, SPST-NO



Documents

Product Drawings

[TERMINAL,PIDG R IR 10 5/16](#)

English

CAD Files

[3D PDF](#)

3D

Customer View Model

[ENG_CVM_CVM_2-320576-3_S.2d_dxf.zip](#)

English

Customer View Model

[ENG_CVM_CVM_2-320576-3_S.3d_igs.zip](#)

English

Customer View Model

[ENG_CVM_CVM_2-320576-3_S.3d_stp.zip](#)

English

By downloading the CAD file I accept and agree to the [Terms and Conditions](#) of use.

Product Specifications

[Application Specification](#)

English

Product Environmental Compliance

[TE Material Declaration](#)

English

Agency Approvals

[CSA Certificate](#)

English