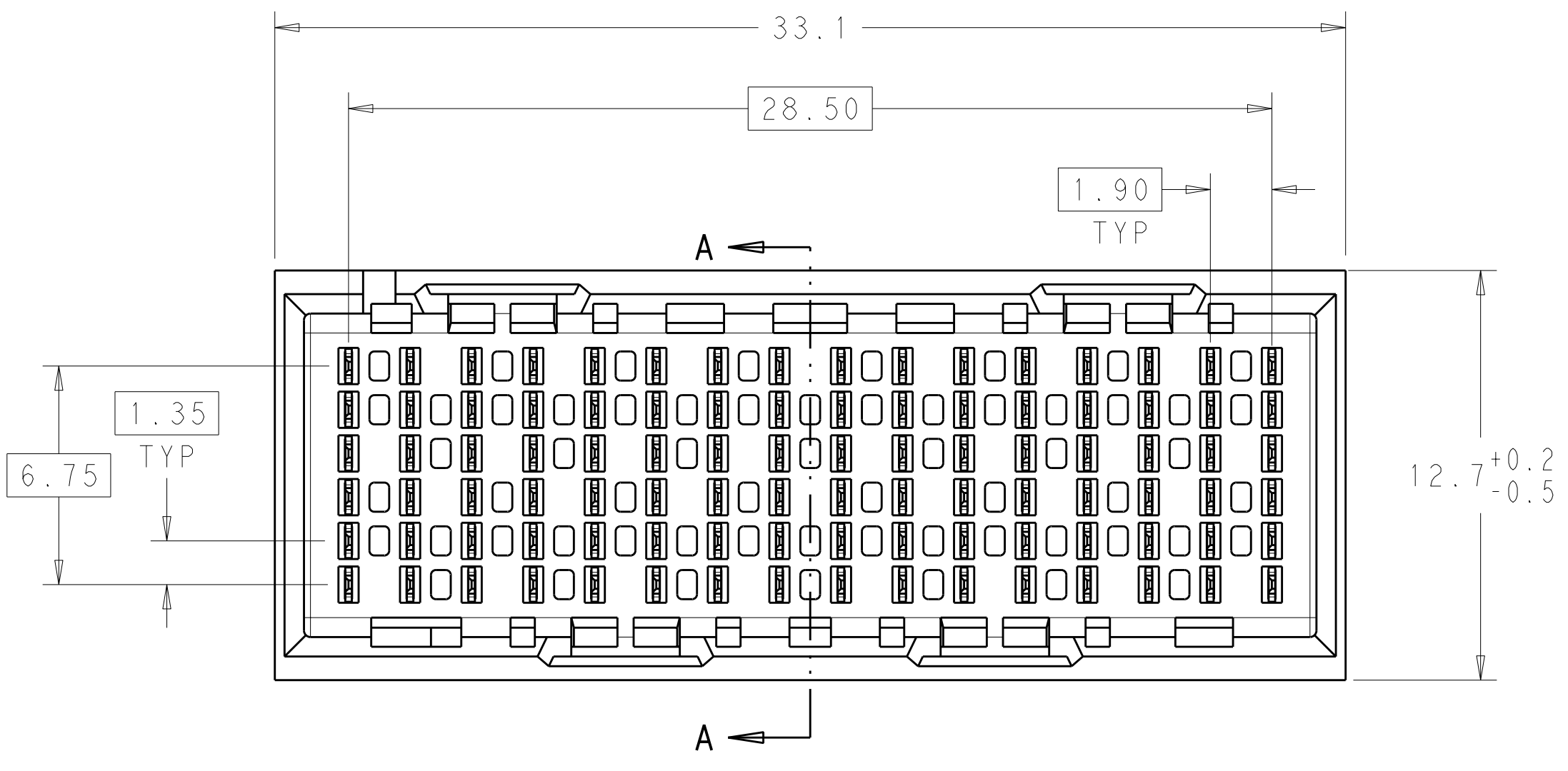
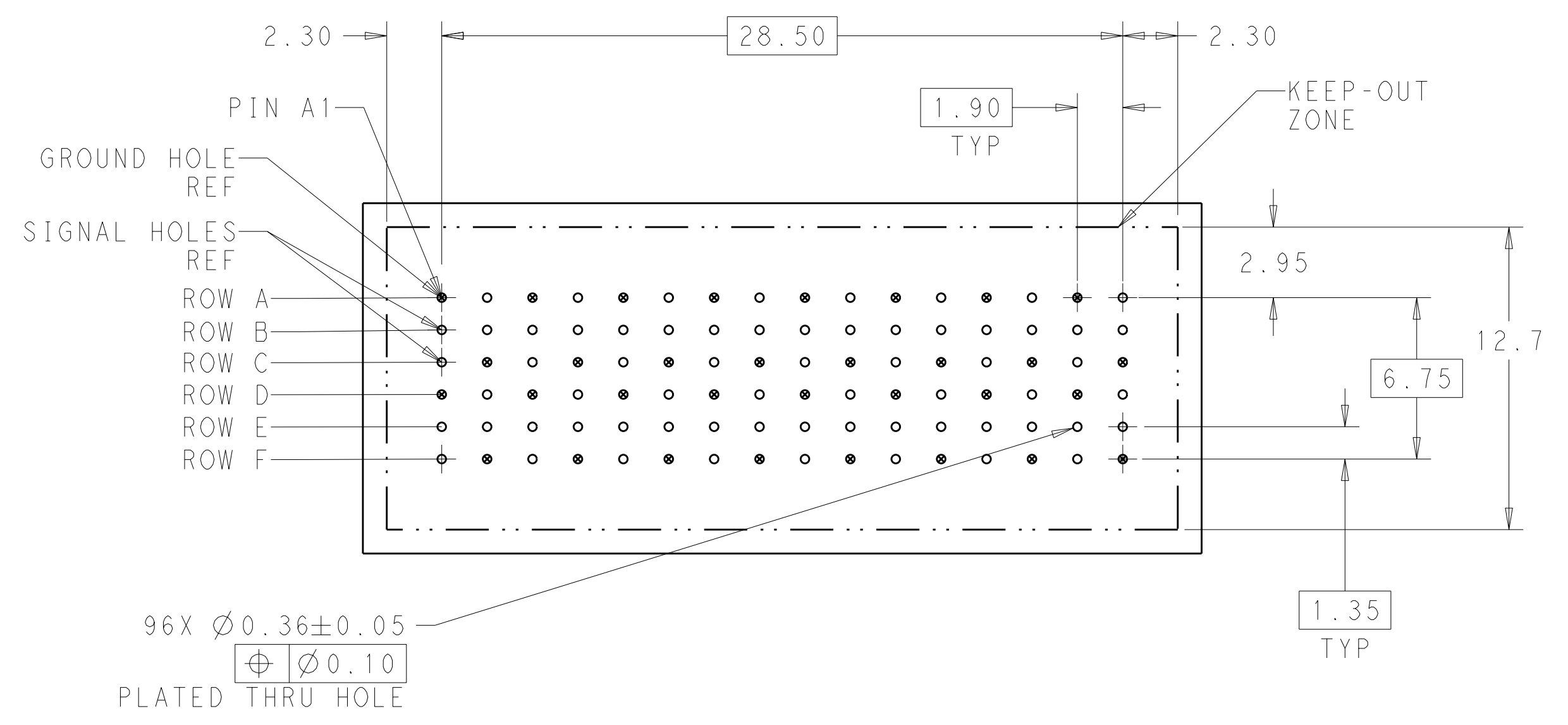
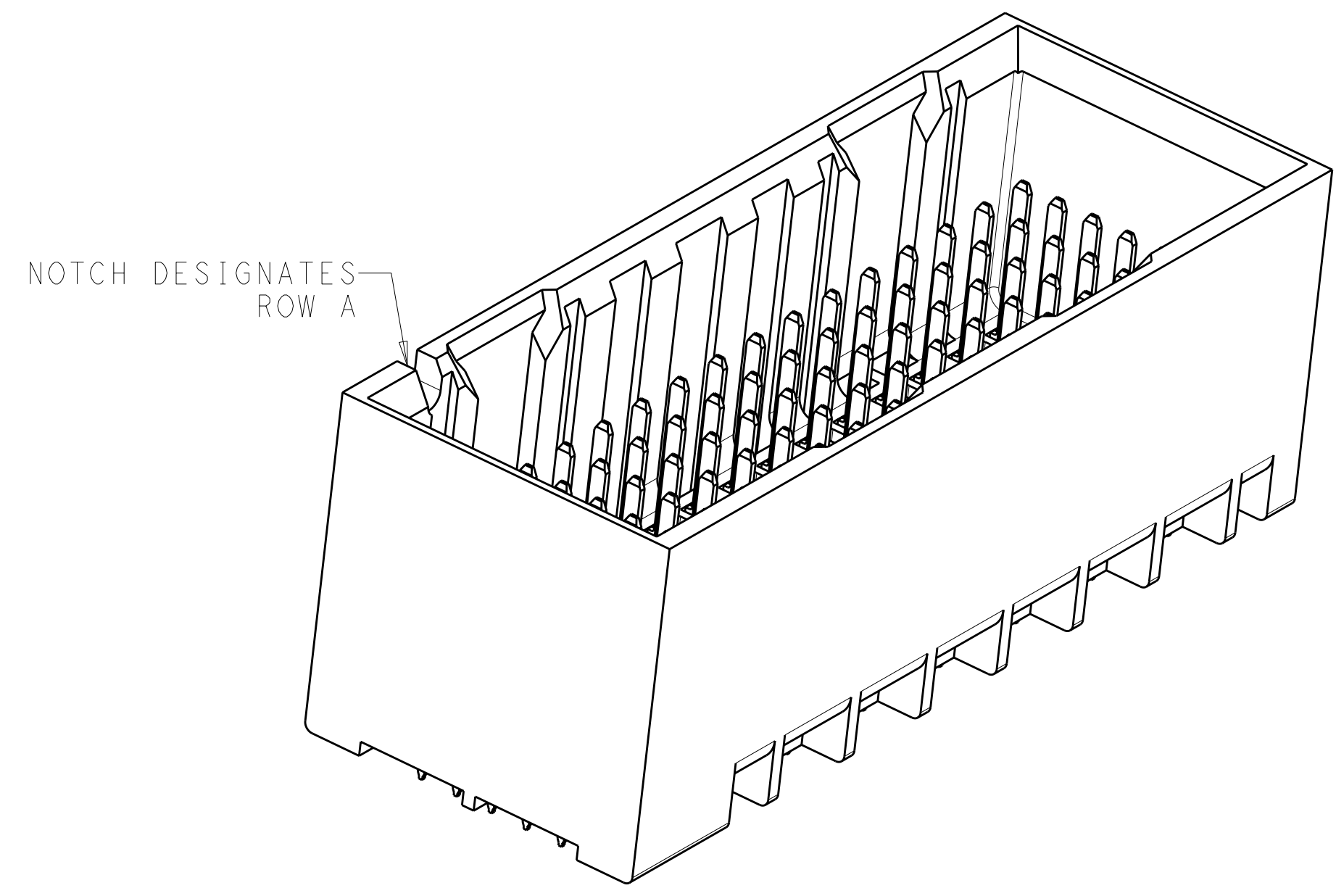


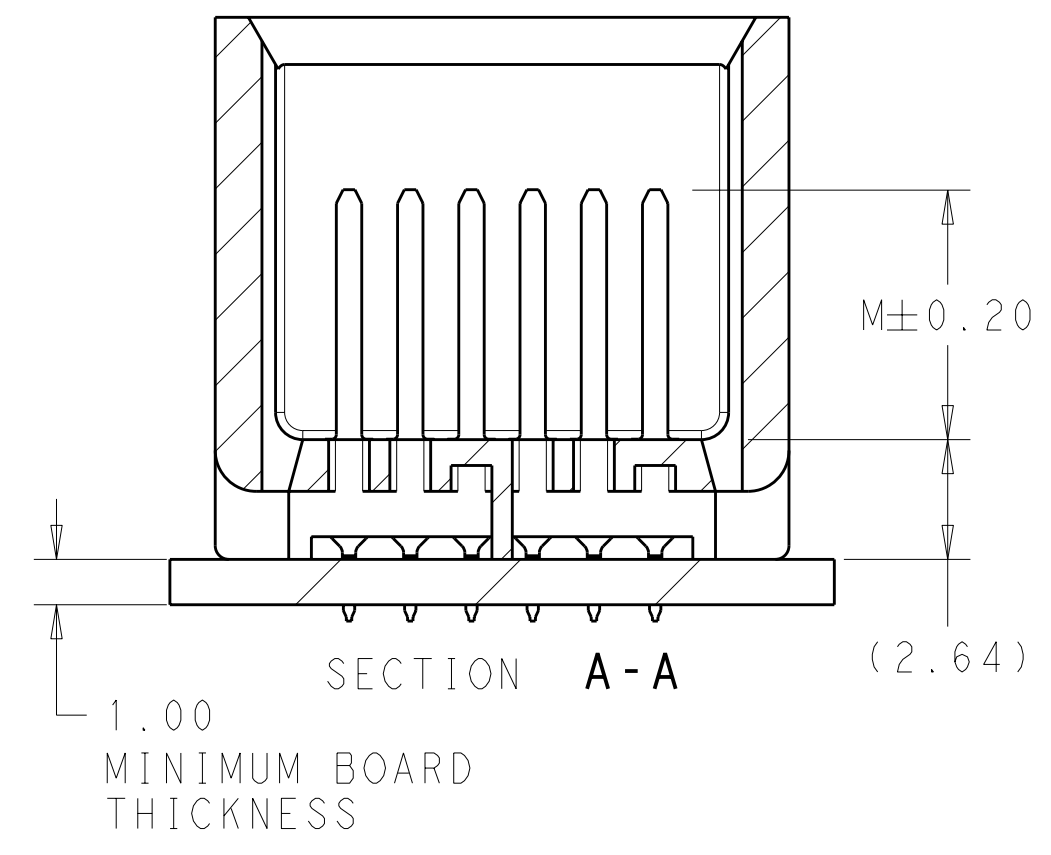
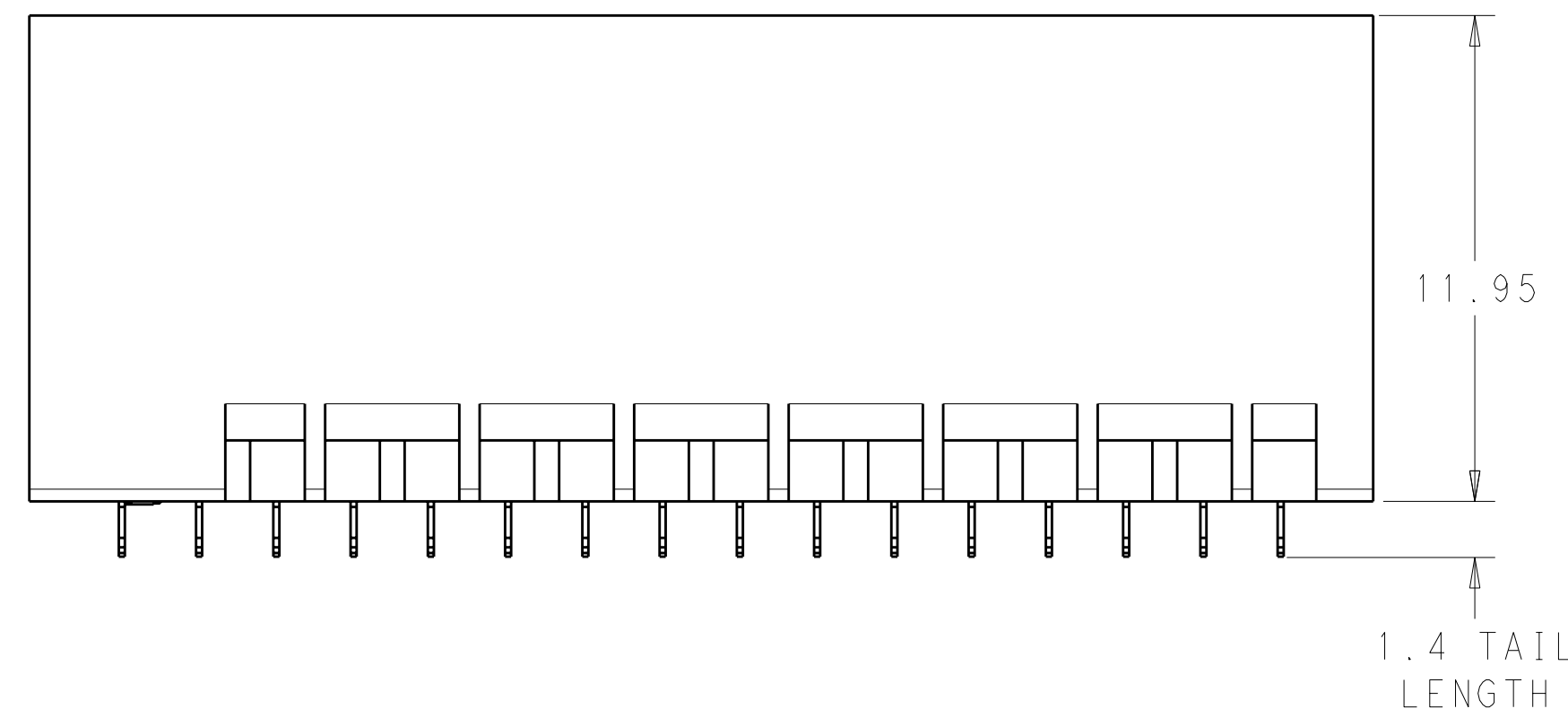
LOC	DIST	REV	DATE	BY	CHKD	APVD
AD	00	A	3NOV2011	JKS	JE	



- 1 MATERIAL:  
HOUSING: LCP, GLASS FILLED, UL94V-0.  
TERMINALS: HIGH PERFORMANCE COPPER ALLOY.
- 2 FINISH:  
30μ" MIN GOLD IN CONTACT AREA. SELECTIVE TIN  
ON PCB TAILS, NICKEL OVERALL.
- 3 FINISH:  
30μ" MIN GOLD IN CONTACT AREA. SELECTIVE TIN-LEAD  
ON PCB TAILS, NICKEL OVERALL.



UNGUIDED  
BACKPLANE HOLE PATTERN  
(CONNECTOR SIDE)




THIS DRAWING IS A CONTROLLED DOCUMENT.		DWN J. K. SHOBER	3NOV2011	<b>STE</b> TE Connectivity
DIMENSIONS:		CHK J. EBY	3NOV2011	
TOLERANCES UNLESS OTHERWISE SPECIFIED:		APVD J. EBY	3NOV2011	
mm				
9 PLC ± 1 PLC ±0.25 3 PLC ±0.13 5 PLC ± 4 PLC ± ANGLES ± FINISH SEE TABLE		NAME IMPACT, 2 PAIR, 16 COLUMN, HEADER UNGUIDED, DUAL END WALL SIGNAL MODULE, 0.36 PTH		
MATERIAL		SIZE CAGE CODE DRAWING NO A100779C=2057750		RESTRICTED TO
CUSTOMER DRAWING		SCALE 6:1 SHEET 1 OF 2 REV A		

THIS DRAWING IS UNPUBLISHED. RELEASED FOR PUBLICATION 20  
 © COPYRIGHT 20 . . . ALL RIGHTS RESERVED.

LOC	DIST	REVISIONS				
AD	00	P	LTB	DATE	DWN	APVD
		-	-	SEE SHEET 1	-	-

FINISH	DIM M	PART NUMBER
$\triangle_3$	5.5	2057750-6
$\triangle_3$	4.9	2057750-5
$\triangle_3$	4.5	2057750-4
$\triangle_2$	5.5	2057750-3
$\triangle_2$	4.9	2057750-2
$\triangle_2$	4.5	2057750-1

REFER TO WWW.TE.COM  
FOR PRODUCT AVAILABILITY

THIS DRAWING IS A CONTROLLED DOCUMENT.		DWN J. K. SHOBER 3NOV2011	 TE Connectivity
DIMENSIONS: mm		CHK J. EARY 3NOV2011	
TOLERANCES UNLESS OTHERWISE SPECIFIED: 9 PLC ± 7 PLC ±0.25 5 PLC ±0.13 4 PLC ± ANGLES ± FINISH SEE TABLE		APVD J. EARY 3NOV2011	NAME IMPACT, 2 PAIR, 16 COLUMN, HEADER UNGUIDED, DUAL END WALL SIGNAL MODULE, 0.36 PTH
MATERIAL -	SEE TABLE	PRODUCT SPEC -	APPLICATION SPEC -
CUSTOMER DRAWING		WEIGHT -	RESTRICTED TO -
SCALE 5:1		SHEET 2 OF 2	REV A