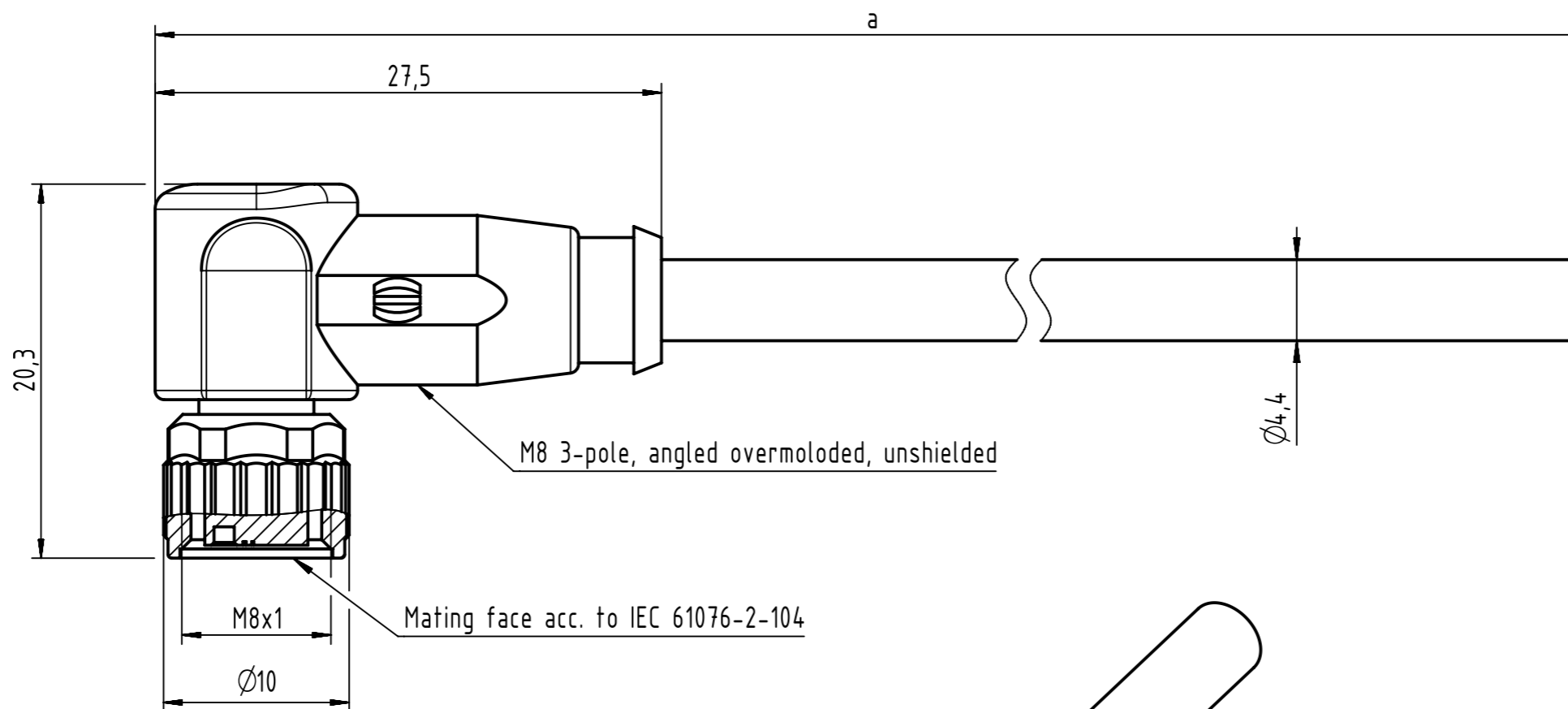
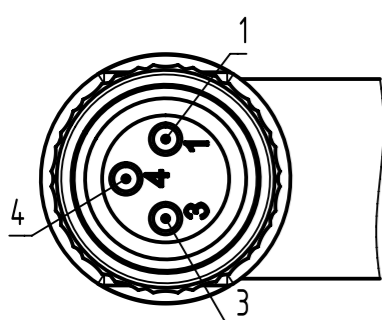


Connector Location A

Connector Location B

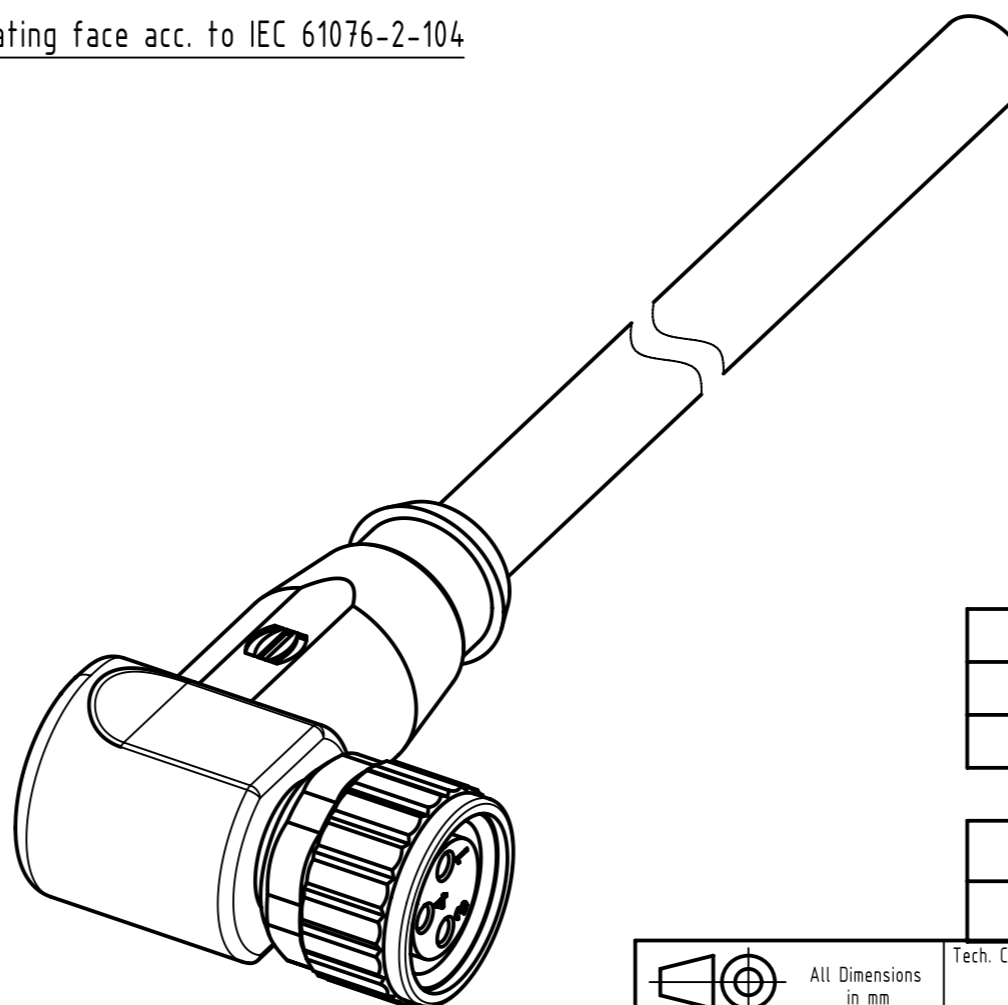


X female



Loading-Plan

- 1 brown
- 3 blue
- 4 black



4.0 to 40	±1%
0.1 to 3.9	+0.04
a [m]	Tolerance

length in "1m" step	40	XXX=400
	39	XXX=390
	12	XXX=120
	11	XXX=110
length in "0.1m" step	10	XXX=100
	9.9	XXX=099
	9.8	XXX=098
	0.4	XXX=004
	0.3	XXX=003
	0.2	XXX=002
	0.1	XXX=001
Step	a [m]	XXX

PUR black, 3x0.25mm ²	21348300388XXX
Type of cable	Part no.

- Protection level: IP65/67
- Temperature range: -25°C ... +80°C

	All Dimensions in mm	Tech. Character.		Free size tol.		According to production drawing	
	All rights reserved Department HCS - RO	Created by STOCHECIC Stochei	Inspected by COSTEA Costea	Standardisation MUNTEANV Muntean	Date 2019-01-11	State Final Release	
HARTING Customised Solutions D-32339 Espelkamp		Title M8 Cable Assembly 3-poles an/- f/-				Doc-Key / ECM-Nr. 100809746/UGD/009/A 500000145294	
		Type TB	Number 21348300388XXX			Rev. A	Page 1/1