

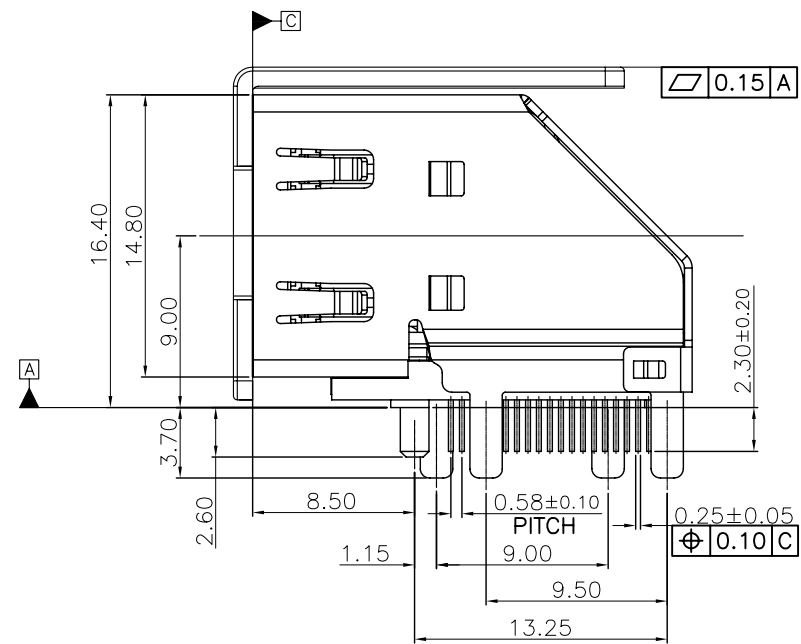
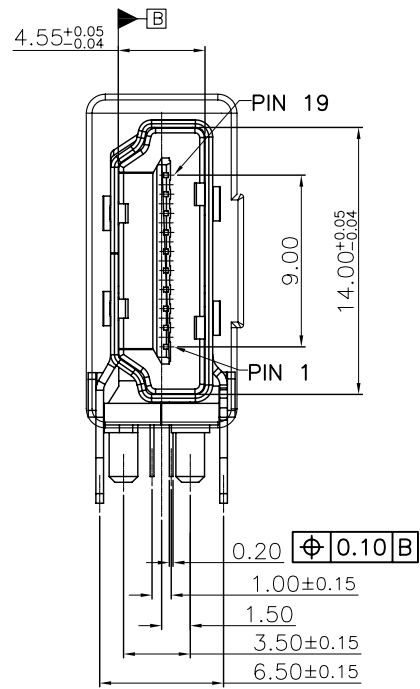
- NOTES:
- MATERIAL:
 - SHELL: STAINLESS STEEL
 - INSERT-MOLD HOUSING: THERMOPLASTIC UL 94V-0.
 - CONTACT: COPPER ALLOY
 - PLATING:

TERMINAL:

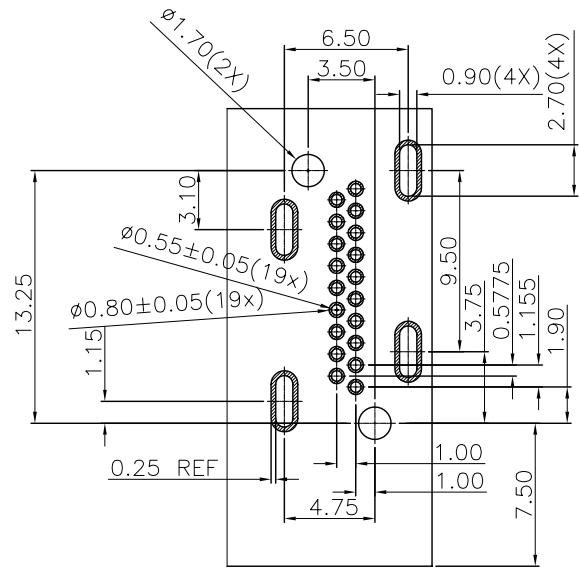
CONTACT AREA:GOLD PLATING,DETAIL SEE TABLE
 SOLDER AREA:2.54 MICRON MIN. TIN PLATING.
 UNDERPLATE:1.27 MICRON MIN. NICKEL PLATING OVERALL.

SHELL:

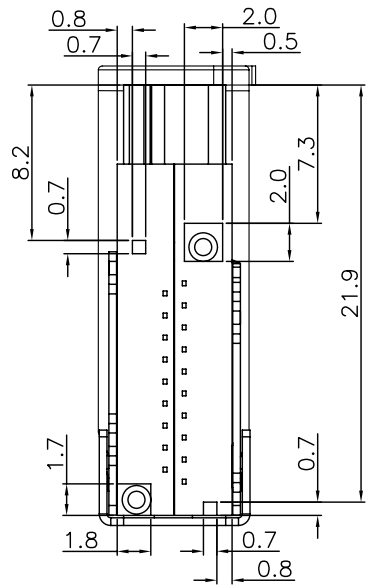
1.27 MICRON MIN. SOLDERABLE NICKEL PLATING OVERALL.
 - DATE CODE:YYMMDD. "YY" REPRESENTS YEAR, "MM" REPRESENTS MONTH,"DD" REPRESENTS DATE.
 - PRODUCT SPECIFICATION REFER TO PS-105089-001.
 - PACKAGE REFER TO PK-105089-003.
 - THE PRODUCT COMPLIANT TO RoHS DIRECTIVE 2002/95/EC AND ELV DIRECTIVE2000/53/EC.



105089-3002	0.76MICRON MIN.GOLD PLATING
P/N	CONTACT AREA PLATING



RECOMMENDED PCB LAYOUT THICKNESS:1.60±0.05
(TOLERANCE=±0.05mm)



OBS part number EC NO: SH2013-0328 DRWN: Andy 2013/03/28 CHK'D: Daniel 2013/03/28 APPR: Daniel 2013/03/28	QUALITY SYMBOLS FA=0 FC=0 FP=0	GENERAL TOLERANCES (UNLESS SPECIFIED)		DIMENSION STYLE	SCALE	DESIGN UNITS	THIRD ANGLE PROJECTION			
				MM ONLY	1:1	METRIC				
		4 PLACES	± ---	± ---	DRAWN BY	DATE	TITLE			
		3 PLACES	± ---	± ---	Andy	2012/02/13				
2 PLACES	± 0.20	± ---	CHECKED BY	DATE	HDMI UP-RIGHT RECEPTACLE CONNECTOR					
1 PLACE	± 0.25	± ---	Daniel	2012/02/13						
ANGULAR ± 3°		DRAFT WHERE APPLICABLE MUST REMAIN WITHIN DIMENSIONS		APPROVED BY	DATE	MOLEX INCORPORATED				
				Daniel	2012/02/13					
				MATERIAL NO.	SEE TABLE	DOCUMENT NO.	SD-105089-300			
				SIZE	A3	THIS DRAWING CONTAINS INFORMATION THAT IS PROPRIETARY TO MOLEX INCORPORATED AND SHOULD NOT BE USED WITHOUT WRITTEN PERMISSION				
REV						SHEET NO.		1 OF 1		