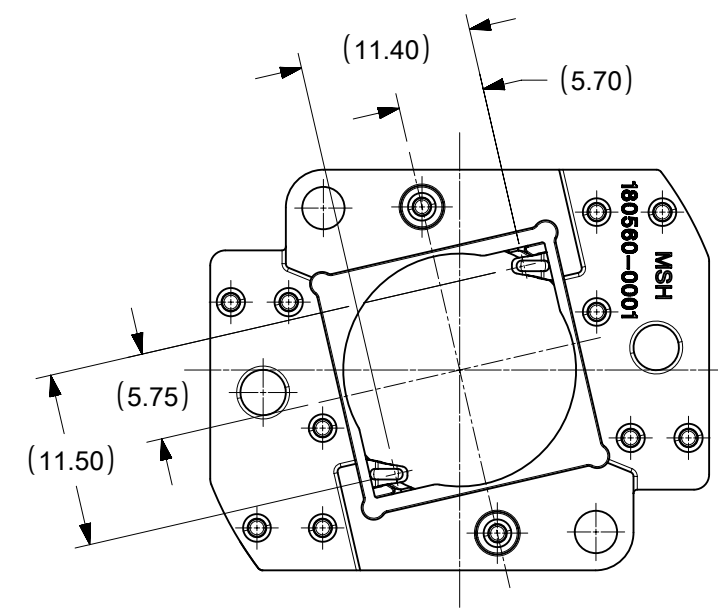
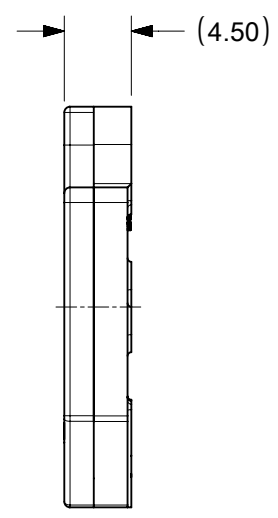
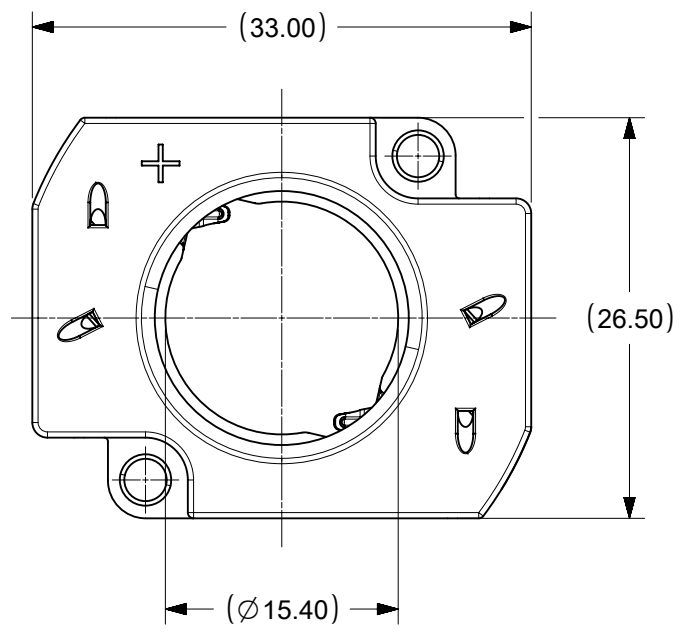
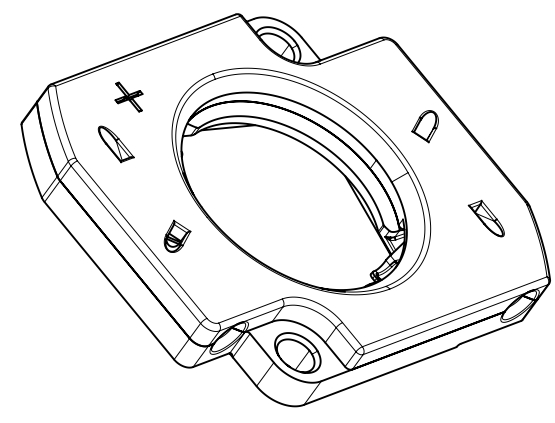
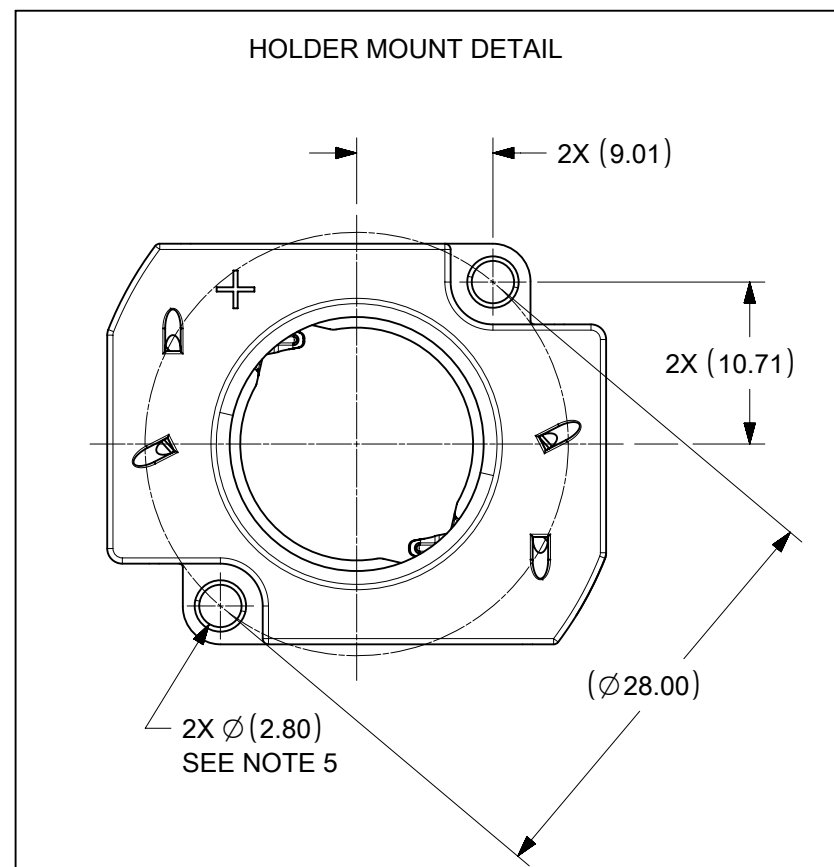


9	8	7	6	5	4	3	2	1
PART NUMBER	DESCRIPTION	MATERIAL	COLOR					
180560-0001	LED HOLDER - PBT	POLYESTER, GLASS FILLED	WHITE					



180560-0001



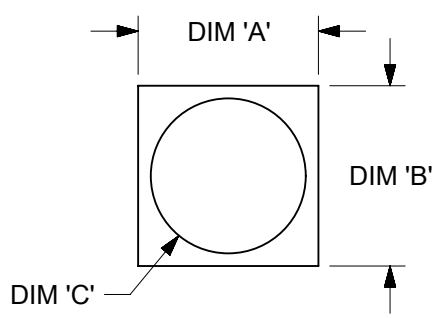
- NOTES:
- 1) MATERIALS: SEE CHART.
 - 2) WIRE TRAP TERMINALS: COPPER ALLOY.
 - a. FINISH: SELECTIVE GOLD OVER NICKEL.
 - 3) THIS PRODUCT IS ELV AND ROHS COMPLIANT.
 - 4) APPLICABLE WIRE GAUGE - 18 OR 22 AWG
 - a. SOLID WIRE IS RECOMMENDED.
 - b. IF STRANDED WIRE IS USED, PRE-TINNED IS RECOMMENDED.
 - c. 11.0mm±1.0mm STRIP LENGTH IS RECOMMENDED.
 - 5) MOUNT HOLDER USING M2.5 SCREWS (2); 0.40 MIN - 0.80 MAX NEWTON METERS TORQUE.
 - 6) ALL DIMENSIONS IN PARENTHESES "(X.XX)" ARE FOR REFERENCE ONLY.
 - 7) UL:OLFB2 UL496 FILE: E345583.

THIS DRAWING CONTAINS INFORMATION THAT IS PROPRIETARY TO MOLEX ELECTRONIC TECHNOLOGIES, LLC AND SHOULD NOT BE USED WITHOUT WRITTEN PERMISSION											
DIMENSION UNITS		SCALE		CURRENT REV DESC:						molex	
MM		2:1									
GENERAL TOLERANCES (UNLESS SPECIFIED)				EC NO: 612277		2018/10/09				COB HOLDER ASSEMBLY 15.85MM X 15.85MM	
				DRWN: AKUMAR19		2019/02/19					
4 PLACES ±				CHK'D: AYIN		2019/02/19				PRODUCT CUSTOMER DRAWING	
3 PLACES ±				APPR: AYIN		2019/02/19					
2 PLACES ± 0.13				INITIAL REVISION:						DOCUMENT NUMBER	
1 PLACE ± 0.25				DRWN: FJAKLIC		2012/08/10				SD-180560-001	
0 PLACES ±				APPR: DMCGOWAN		2012/08/17				DOC TYPE DOC PART REVISION	
ANGULAR TOL ± 0.5°				THIRD ANGLE PROJECTION		DRAWING		SERIES		MATERIAL NUMBER CUSTOMER	
DRAFT WHERE APPLICABLE MUST REMAIN WITHIN DIMENSIONS				B-SIZE		180560		SEE TABLE		GENERAL MARKET SHEET NUMBER	
										1 OF 2	

DOCUMENT STATUS	P1	RELEASE DATE	2019/02/19	04:35:12
-----------------	----	--------------	------------	----------

9 8 7 6 5 4 3 2 1

COB MFG	TYPE	DIM 'A'	DIM 'B'	THICKNESS	DIM 'C'
CREE	CXA1507	15.85	15.85	1.15	10.5
CREE	CXA1510	15.85	15.85	1.15	10.5
CREE	CXA1512	15.85	15.85	1.15	10.5
CREE	CXA1520	15.85	15.85	1.00	10.5
CREE	CXB1507	15.85	15.85	1.15	10.5
CREE	CXB1512	15.85	15.85	1.15	10.5
CREE	CXB1520	15.85	15.85	1.00	10.5
BRIDGELUX	H9	15.85	15.85	1.10	10.5



THIS DRAWING CONTAINS INFORMATION THAT IS PROPRIETARY TO MOLEX ELECTRONIC TECHNOLOGIES, LLC AND SHOULD NOT BE USED WITHOUT WRITTEN PERMISSION									
DIMENSION UNITS		SCALE		CURRENT REV DESC:				molex	
MM		1:1		EC NO: 612277					
GENERAL TOLERANCES (UNLESS SPECIFIED)				DRWN: AKUMAR19		2018/10/09		COB HOLDER ASSEMBLY 15.85MM X 15.85MM	
4 PLACES ±		±		CHK'D: AYIN		2019/02/19			
3 PLACES ±		±		APPR: AYIN		2019/02/19		PRODUCT CUSTOMER DRAWING	
2 PLACES ±		0.13 ±		INITIAL REVISION:		DRWN: FJAKLIC		DOCUMENT NUMBER	
1 PLACE ±		0.25 ±		DRWN: FJAKLIC		2012/08/10		SD-180560-001	
0 PLACES ±		±		APPR: DMCGOWAN		2012/08/17		PSD 001 B	
ANGULAR TOL ± 0.5 °				THIRD ANGLE PROJECTION		DRAWING		SERIES	
DRAFT WHERE APPLICABLE MUST REMAIN WITHIN DIMENSIONS				THIRD ANGLE PROJECTION		DRAWING		MATERIAL NUMBER	
				THIRD ANGLE PROJECTION		DRAWING		CUSTOMER	
				THIRD ANGLE PROJECTION		DRAWING		SHEET NUMBER	
				THIRD ANGLE PROJECTION		DRAWING		SEE TABLE	
				THIRD ANGLE PROJECTION		DRAWING		GENERAL MARKET	
				THIRD ANGLE PROJECTION		DRAWING		2 OF 2	
				THIRD ANGLE PROJECTION		DRAWING		B-SIZE 180560	

DOCUMENT STATUS	P1	RELEASE DATE	2019/02/19	04:35:12
-----------------	----	--------------	------------	----------

9 8 7 6 5 4 3 2 1