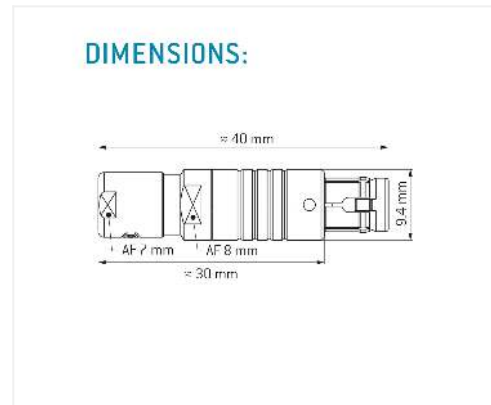
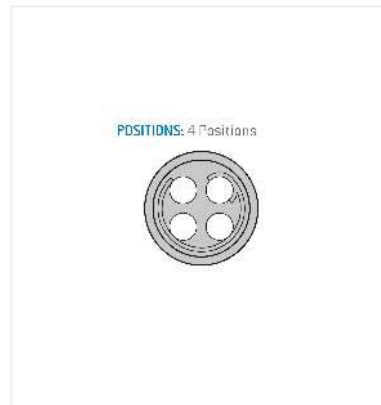


General information

Part number	S30B0C-P04LFG0-2000
Termination	solder
Size	0
Locking principle	push
Coding	0_key
Cable Diameter	cable_mini_20
Cable outlet	standard



Contact insert description

Number of contacts	4
Contact type	sockets
Contact diameter	0.7mm
Insulator material	peek
Wire cross section	22_awg
Termination	solder
Termination diameter	0.85mm
Data transmission	ethernet_100

reverse_gender_on_request

Technical information

Max. creepage and air clearance distance	0.6 mm	0.8 mm
Nominal current single contact	0.75_a	iec_60512_5_2
Nominal current insert	7,5 A	vde_0298_4
Test voltage	0.9_kv_ac	sae_13441

safety_text

Mechanical and environmental data

Degree of protection*	ip68
Operating temperature	40_120_c
Mating cycles	5000

mated

Material and surface treatments

Housing	m_chrome
Contact	cu_alloy_gold

data_text

safety_text_2
data_text
ul_text
illustrative_text