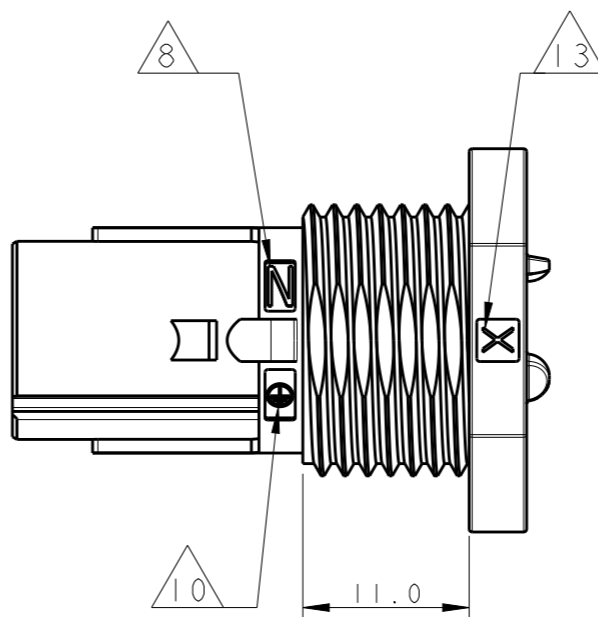
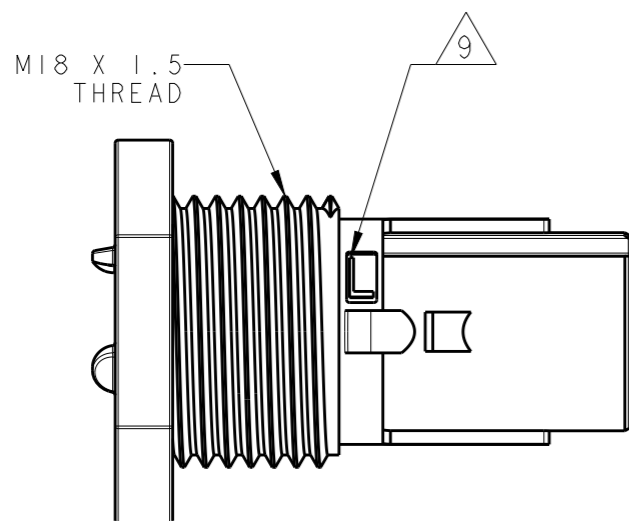
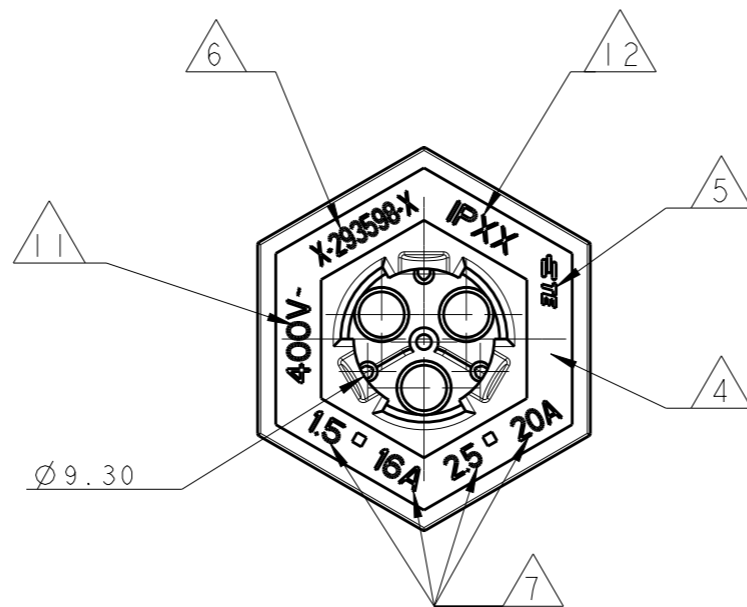
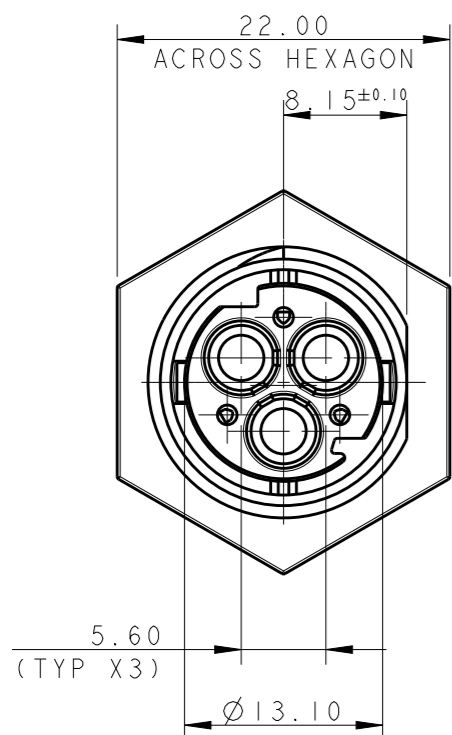


THIS DRAWING IS UNPUBLISHED. RELEASED FOR PUBLICATION 2011
 © COPYRIGHT 2011 BY - ALL RIGHTS RESERVED.

LOC	DIST	REVISIONS					
		P	LTR	DESCRIPTION	DATE	DWN	APVD
1	-		E1	REVISED MARKINGS	06NOV2012	MZ	JC
			F	PARTS -2, -3, 1-2, 1-3 RELEASED FOR PRODUCTION	26JUN2013	KR	JC
			G	REVISED PART NUMBERS AND ALIGNED REVISIONS	17JUL2017	SK	MZ
			G1	REVISED PER ECR-18-006945	20SEP2018	SR	MZ




- NOTES:
- 1 MATERIAL: POLYAMIDE GLASS FILLED COLOUR NATURAL
 - 2 MATERIAL: POLYAMIDE GLASS FILLED COLOUR BLACK
 - 3 PACKAGING: SEE TE PACKAGING SPECIFICATION 107-20294
 - 4 AREA FOR AGENCY APPROVAL LOGO
 - 5 TE LOGO
 - 6 TE PART NUMBER
 - 7 CONDUCTOR SIZE AND CURRENT RATING
 - 8 N CODE
 - 9 L CODE
 - 10 PE CODE
 - 11 RATED VOLTAGE
 - 12 IP CODE
 - 13 CAVITY MOULD CODE

3D VIEWS, FOR REFERENCE ONLY



SCALE 1:1

THIS DRAWING IS A CONTROLLED DOCUMENT.		DWN M. ZUCCA 29OCT2009	 TE Connectivity	
DIMENSIONS: mm		CHK M. ZUCCA 29OCT2009		
TOLERANCES UNLESS OTHERWISE SPECIFIED:		APVD G. TURCO 29OCT2009	NAME	
0 PLC ±- 1 PLC ±0.3 2 PLC ±0.20 3 PLC ±- 4 PLC ±- ANGLES ±3°		PRODUCT SPEC 108-20304	PIN HOUSING PANEL MOUNT VERSION NECTOR* M-LINE	
MATERIAL SEE NOTES		FINISH -	APPLICATION SPEC 114-20452	RESTRICTED TO
		WEIGHT ~6.2 g	SIZE A3	CAGE CODE 00779
		Customer Drawing	DRAWING NO. C-293598	SCALE 2:1
			SHEET 1 OF 4	REV G1

THIS DRAWING IS UNPUBLISHED.

RELEASED FOR PUBLICATION

2011

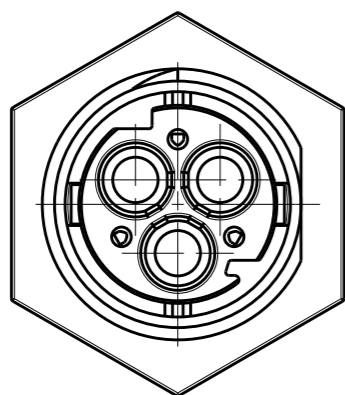
© COPYRIGHT 2011 BY -

ALL RIGHTS RESERVED.

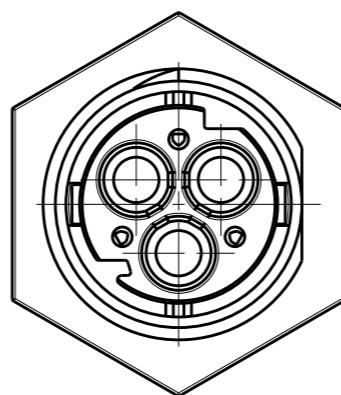
LOC	DIST	REVISIONS			
P	LTR	DESCRIPTION	DATE	DWN	APVD
		SEE SHEET 1	-	-	-

PLARIZATION KEYS

TYPE "A"



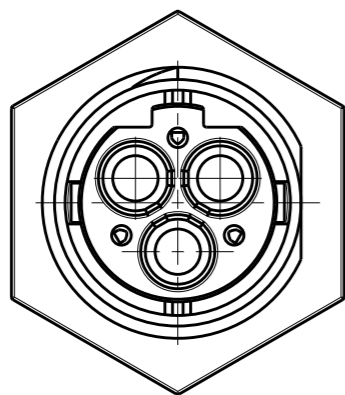
TYPE "B"



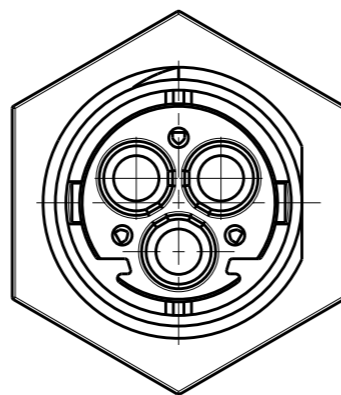
P/Ns: 0-293598-1,
1-293598-1, ~~2-293598-1~~

P/Ns: 0-293598-2,
1-293598-2, ~~2-293598-2~~

TYPE "C"



TYPE "D"



P/Ns: 0-293598-3,
1-293598-3, ~~2-293598-3~~

P/Ns: ~~0-293598-4,~~
~~1-293598-4, 2-293598-4~~

OBSOLETE	67	D	BLACK	△ ₂	PIN HSG PANEL MOUNT VERS. NECTOR* M-LINE	A	2-293598-4
	67	C	BLACK	△ ₂	PIN HSG PANEL MOUNT VERS. NECTOR* M-LINE	D	2-293598-3
	67	B	BLACK	△ ₂	PIN HSG PANEL MOUNT VERS. NECTOR* M-LINE	D	2-293598-2
	67	A	BLACK	△ ₂	PIN HSG PANEL MOUNT VERS. NECTOR* M-LINE	D	2-293598-1
	40	D	BLACK	△ ₂	PIN HSG PANEL MOUNT VERS. NECTOR* M-LINE	G	1-293598-4
OBSOLETE	40	C	BLACK	△ ₂	PIN HSG PANEL MOUNT VERS. NECTOR* M-LINE	G	1-293598-3
	40	B	BLACK	△ ₂	PIN HSG PANEL MOUNT VERS. NECTOR* M-LINE	G	1-293598-2
	40	A	BLACK	△ ₂	PIN HSG PANEL MOUNT VERS. NECTOR* M-LINE	G	1-293598-1
	40	D	NATURAL	△ ₁	PIN HSG PANEL MOUNT VERS. NECTOR* M-LINE	G	0-293598-4
OBSOLETE	40	C	NATURAL	△ ₁	PIN HSG PANEL MOUNT VERS. NECTOR* M-LINE	G	0-293598-3
	40	B	NATURAL	△ ₁	PIN HSG PANEL MOUNT VERS. NECTOR* M-LINE	G	0-293598-2
	40	A	NATURAL	△ ₁	PIN HSG PANEL MOUNT VERS. NECTOR* M-LINE	G	0-293598-1

IP DEGREE CODE	POL. KEYING	COLOUR	MATERIAL	DESCRIPTION	REV.	PART NUMBER
----------------	-------------	--------	----------	-------------	------	-------------

THIS DRAWING IS A CONTROLLED DOCUMENT.

DIMENSIONS: mm

TOLERANCES UNLESS OTHERWISE SPECIFIED:

0 PLC	±0.3
1 PLC	±0.20
2 PLC	±0.20
3 PLC	±0.20
4 PLC	±0.20
ANGLES	±3°
FINISH	-

MATERIAL SEE NOTES

DWN M. ZUCCA 29OCT2009

CHK M. ZUCCA 29OCT2009

APVD G. TURCO 29OCT2009

PRODUCT SPEC 108-20304

APPLICATION SPEC 114-20452

WEIGHT ~6.2 g

Customer Drawing

STE TE Connectivity

NAME PIN HOUSING PANEL MOUNT VERSION NECTOR* M-LINE

SIZE A3 CAGE CODE 00779 DRAWING NO. C-293598

RESTRICTED TO -

SCALE 2:1 SHEET 2 OF 4 REV G1

4

3

2

1

THIS DRAWING IS UNPUBLISHED.

RELEASED FOR PUBLICATION

2011

© COPYRIGHT 2011 BY -

ALL RIGHTS RESERVED.

LOC	DIST	REVISIONS					
		P	LTR	DESCRIPTION	DATE	DWN	APVD
1	-	-	-	SEE SHEET 1	-	-	-

PANEL / WALL

26.2

7.0

1.5-4.0

PANEL / WALL
SUGGESTED CUT OUT

$\varnothing 18.00^{+0.20}$

$8.30^{+0.20}$

THIS DRAWING IS A CONTROLLED DOCUMENT.

DWN M. ZUCCA 29OCT2009

CHK M. ZUCCA 29OCT2009

APVD G. TURCO 29OCT2009

PRODUCT SPEC 108-20304

APPLICATION SPEC 114-20452

WEIGHT ~6.2 g

Customer Drawing

NAME
PIN HOUSING
PANEL MOUNT VERSION
NECTOR* M-LINE

SIZE	CAGE CODE	DRAWING NO	RESTRICTED TO
------	-----------	------------	---------------

A300779	C=293598		
---------	----------	--	--

SCALE 2:1	SHEET 3 OF 4	REV G1
-----------	--------------	--------

DIMENSIONS:
mmTOLERANCES UNLESS
OTHERWISE SPECIFIED:

0 PLC	±
1 PLC	±0.3
2 PLC	±0.20
3 PLC	±
4 PLC	±
ANGLES	±3°

MATERIAL SEE NOTES

FINISH -

1470-19 (3/11)

THIS DRAWING IS UNPUBLISHED.

RELEASED FOR PUBLICATION

2011

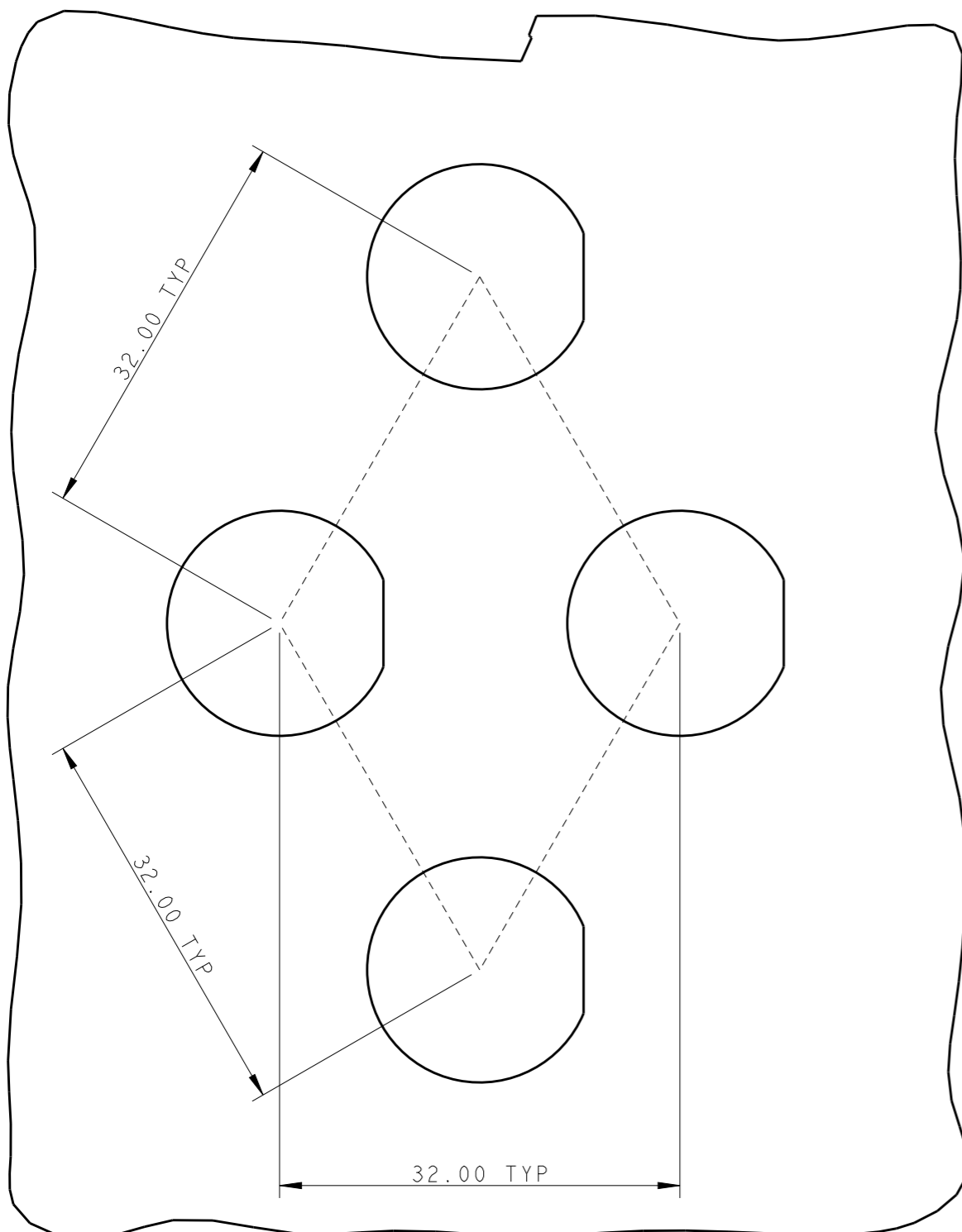
© COPYRIGHT 2011 BY -

ALL RIGHTS RESERVED.

LOC	DIST	REVISIONS					
		P	LTR	DESCRIPTION	DATE	DWN	APVD
1	-	-	-	SEE SHEET 1	-	-	-

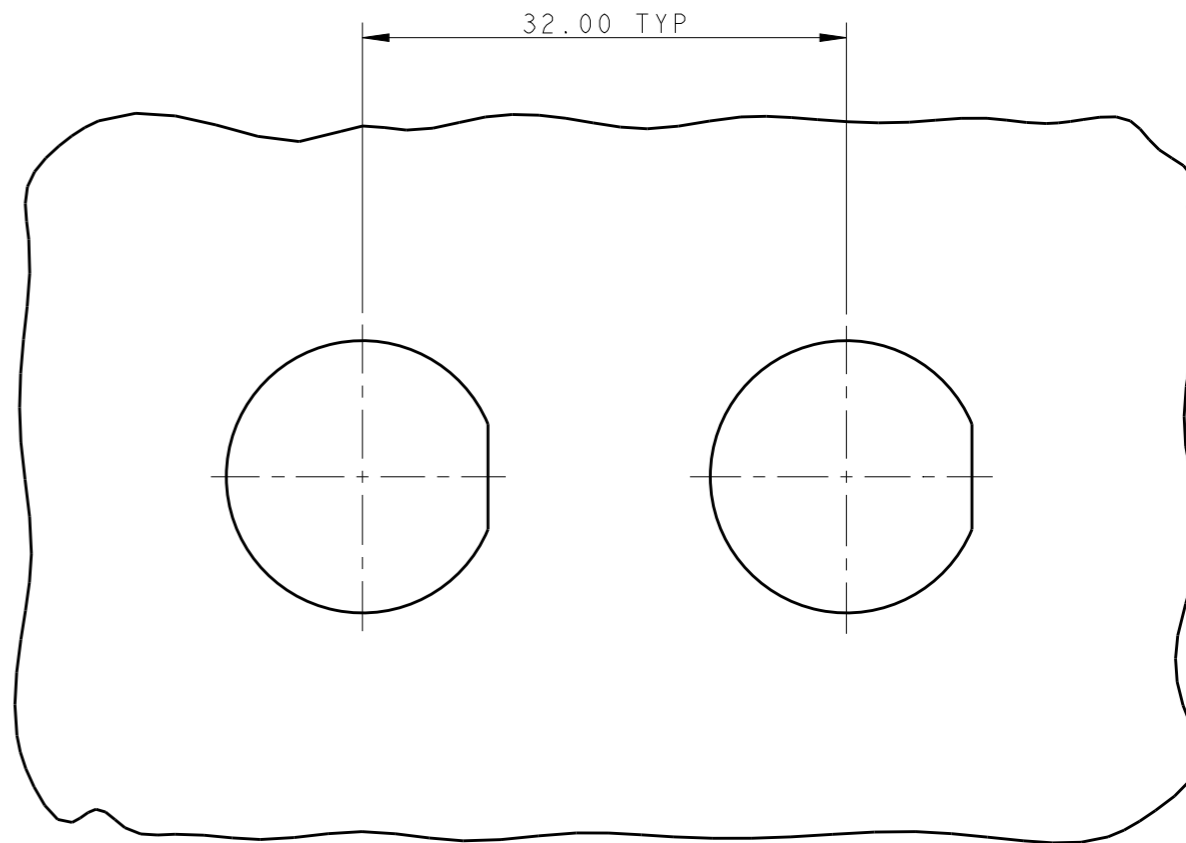
PANEL / WALL
SUGGESTED CUT OUT FOR
MULTIPLE HOLES ON MULTIPLE ROWS


(PITCH CAN BE ADJUSTED TO CUSTOMER
 NEED BUT IN ANY CASE MUST NOT BE LESS
 THAN 30.00 mm)



PANEL / WALL
SUGGESTED CUT OUT FOR
MULTIPLE HOLES ON SINGLE ROW

(PITCH CAN BE ADJUSTED TO CUSTOMER
 NEED BUT IN ANY CASE MUST NOT BE LESS
 THAN 30.00 mm)



THIS DRAWING IS A CONTROLLED DOCUMENT.		DWN M. ZUCCA	29OCT2009	 TE Connectivity	
DIMENSIONS: mm		CHK M. ZUCCA	29OCT2009		
TOLERANCES UNLESS OTHERWISE SPECIFIED:		APVD G. TURCO	29OCT2009	NAME PIN HOUSING PANEL MOUNT VERSION NECTOR* M-LINE	
0 PLC ±- 1 PLC ±0.3 2 PLC ±0.20 3 PLC ±- 4 PLC ±- ANGLES ±3°		PRODUCT SPEC 108-20304		RESTRICTED TO	
MATERIAL SEE NOTES		APPLICATION SPEC 114-20452		SIZE A3	CAGE CODE 00779
FINISH -		WEIGHT ~6.2 g		DRAWING NO C=293598	
		Customer Drawing		SCALE 2:1	SHEET 4 OF 4
				REV G1	