



LAYOUT SHOWN AS EXAMPLE

Keying Shown as example

**CHARACTERISTICS**

- Standard : Based on MIL-DTL-38999 Series III
- Shell Material : Stainless Steel
- Shell Plating : Passivated
- Insulator : Thermoplastic
- Contacts : Copper Alloy
- Seals & Grommet : Silicon Elastomer
- Contact Plating : Gold over copper Alloy 0.8µm minimum
- Durability : 500 Mating cycles
- Delivered with Souriau contacts and Accessories
- Temperature Range : -65°C to +200°C
- Salt Spray : 500 hours
- Mass : 30.12 g ± 10%

| Connector dimension |               |
|---------------------|---------------|
| Dim                 | Nominal       |
| P                   | 3.25±0.2      |
| PP                  | 4.93±0.2      |
| R1                  | 20.62         |
| R2                  | 18.26         |
| S                   | 26.2±0.3      |
| V                   | 20.83+0/-1.25 |
| W                   | 2.1/2.5       |
| Z                   | 31.5 Max      |
| VV THREAD           | M15x1-6g      |

SOURIAU shall not be liable for any non-conformity or damage due to a use of the Products which does not comply with the Specifications issued by either of the Parties or by a third party (professional recommendation, technical notice.)

|         |                             |
|---------|-----------------------------|
| Country | Jurisdiction & Control List |
| FR      | Not Listed                  |

**PN: 8D011K02BB**

|                |                                             |                                |                                                                                                       |
|----------------|---------------------------------------------|--------------------------------|-------------------------------------------------------------------------------------------------------|
| A              | 06-10-2016                                  | First Release                  |                                                                                                       |
| ISS            | DATE                                        | Latest modification - by       | MOD N°                                                                                                |
| Designed By:   |                                             | Date:                          | <b>CUSTOMER DRAWING</b>                                                                               |
| <b>TITLE</b>   | <b>Stainless Steel Receptacle 8D series</b> |                                |                                                                                                       |
| SCALE          | NA                                          | General linear Tolerances: ±-- | NPRDS / PROJECT<br><b>859</b>                                                                         |
| <b>SOURIAU</b> | <b>WWW.SOURIAU.COM</b>                      |                                | This document is the property of SOURIAU it must not be reproduced or communicated without permission |
| FORMAT         | <b>SOURIAU DRG N° 8D011K02BB-C</b>          |                                | SHEET<br>1/2                                                                                          |

BASIC SERIES: 8D 0 - 11 K 02 B B

SHELL TYPE : Square Flange Receptacle

CONTACT TYPE : Standard Crimp Contact

SHELL SIZE : 11

PLATING : K = Passivated

ORIENTATION : B

CONTACT TYPE : SOCKET(500 Matings)

CONTACT LAYOUT : 11-02

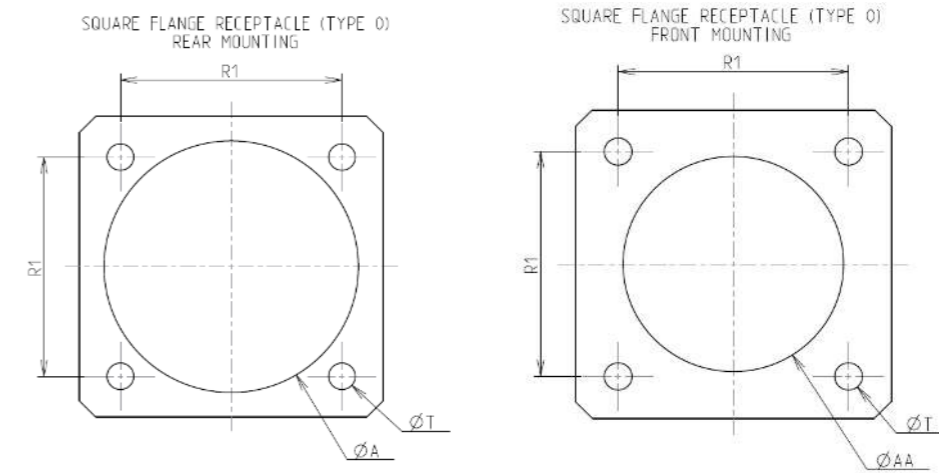
Contact Layout



| Contacts<br>(Insert arrangement 11-2) |                  |               |
|---------------------------------------|------------------|---------------|
| Contact position ID                   | Contact location |               |
|                                       | X-axis (mm)      | Y-axis (mm)   |
| A                                     | +0.095 (2.41)    | +0.000 (0.00) |
| B                                     | -0.095 (2.41)    | +0.000 (0.00) |

| Shell size | Arrangement no. | Number of contacts | Size contacts | Service rating | Contact location |
|------------|-----------------|--------------------|---------------|----------------|------------------|
| 11         | -2              | 2                  | 16            | 1              | All              |

Panel Cutout



| Dim | Nominal    |
|-----|------------|
| ØA  | 20.22 min  |
| ØAA | 15.88 min  |
| R1  | 20.62      |
| ØT  | 3.25 ±0.13 |

SOURIAU shall not be liable for any non-conformity or damage due to a use of the Products which does not comply with the Specifications issued by either of the Parties or by a third party (professional recommendation, technical notice.)

| Country | Jurisdiction & Control List |
|---------|-----------------------------|
| FR      | Not Listed                  |

PN: 8D011K02BB

|                |                                             |                            |                                                                                                       |
|----------------|---------------------------------------------|----------------------------|-------------------------------------------------------------------------------------------------------|
| A              | 06-10-2016                                  | First Release              |                                                                                                       |
| ISS            | DATE                                        | Latest modification - by   | MOD N°                                                                                                |
| Designed By:   |                                             | Date:                      | <b>CUSTOMER DRAWING</b>                                                                               |
| <b>TITLE</b>   | <b>Stainless Steel Receptacle 8D series</b> |                            |                                                                                                       |
| SCALE          |                                             | General linear Tolerances: | NPRDS / PROJECT                                                                                       |
| NA             |                                             | ±--                        | <b>859</b>                                                                                            |
| <b>SOURIAU</b> | <b>WWW.SOURIAU.COM</b>                      |                            | This document is the property of SOURIAU it must not be reproduced or communicated without permission |
| FORMAT         | <b>SOURIAU DRG N° 8D011K02BB-C</b>          |                            | SHEET 2/2                                                                                             |