

TPD1E01B04DPY Evaluation Module

This user's guide describes the characteristics, operation, and use of the TPD1E01B04DPY EVM evaluation module (EVM). This EVM includes six TPD1E01B04DPYs in various configurations for testing. Five TPD1E01B04DPYs are configured for IEC 61000-4-2 compliance testing and one is configured for 2-port s-parameter analysis. This user's guide includes setup instructions, schematic diagrams, a bill of materials, and printed-circuit board layout drawings for the evaluation module.

Contents

1	Introduction	2
2	Definitions.....	2
3	Setup	3
	3.1 IEC 61000-4-2 ESD Rating Tests	3
	3.2 Scattering Parameters	4
	3.3 ±8-kV ESD Clamping Waveforms	4
4	Board Layout	6
5	Schematics	6
6	Bill of Materials	7

List of Figures

1	Ideal Contact Discharge Waveform of the Output Current of the ESD Simulator at 4-kV	3
2	System Level ESD Test Setup.....	4
3	TPD1E01B04DPYEVM Top Layer and Silkscreen.....	6
4	TPD1E01B04DPYEVM Schematic	6

List of Tables

1	IEC 61000-4-2 Test Levels	2
2	Waveform Parameters in Contact Discharge Mode.....	2
3	Bill of Materials	7

1 Introduction

Texas Instrument's TPD1E01B04DPY evaluation module helps designers evaluate the operation and performance of the TPD1E01B04DPY device. The TPD1E01B04DPY is a unidirectional TVS ESD protection diode for HDMI 2.0 and USB 3.1 Gen II Super-speed data line protection. The TPD1E01B04DPY is rated to dissipate ESD strikes at the maximum level specified in the IEC 61000-4-2 international standard (Level 4).

The EVM contains six TPD1E01B04DPYs. Five TPD1E01B04DPYs (D1 – D5) are configured with test points for striking ESD to the protection pins. One TPD1E01B04DPY (D6) is configured with 2 SMA (J1 and J2) connectors for 2-port analysis with a vector network analyzer. TPD1E01B04DPY (D6) can also be used for capturing clamping waveforms with an oscilloscope during an ESD test. Caution must be taken when capturing clamping waveforms during an ESD event so as not to damage the oscilloscope. A proper procedure is outlined in [Section 3.3.1](#).

2 Definitions

Contact Discharge — a method of testing in which the electrode of the ESD simulator is held in contact with the device-under-test (DUT).

Air Discharge — a method of testing in which the charged electrode of the ESD simulator approaches the DUT, and a spark to the DUT actuates the discharge.

ESD Simulator — a device that outputs IEC 61000-4-2 compliance ESD waveforms shown in [Figure 1](#) with adjustable ranges shown in [Table 1](#) and [Table 2](#).

IEC 61000-4-2 has 4 classes of protection levels. Classes 1 – 4 are shown in [Table 1](#). Stress tests should be incrementally tested to level 4 as shown in [Table 2](#) until the point of failure. If the DUT does not fail at 8-kV, testing can continue in 2-kV increments until failure.

Table 1. IEC 61000-4-2 Test Levels

Contact Discharge		Air Discharge	
Class	Test Voltage [\pm kV]	Class	Test Voltage [\pm kV]
1	2	1	2
2	4	2	4
3	6	3	8
4	8	4	15

Table 2. Waveform Parameters in Contact Discharge Mode

Stress Level Step	Simulator Voltage [kV]	I _{peak} \pm 15% [A]	Rise Time \pm 25% [nS]	Current at 30 ns \pm 30% [A]	Current at 60 ns \pm 30% [A]
1	2	7.5	0.8	4	2
2	4	15	0.8	8	4
3	6	22.5	0.8	12	6
4	8	30	0.8	16	8

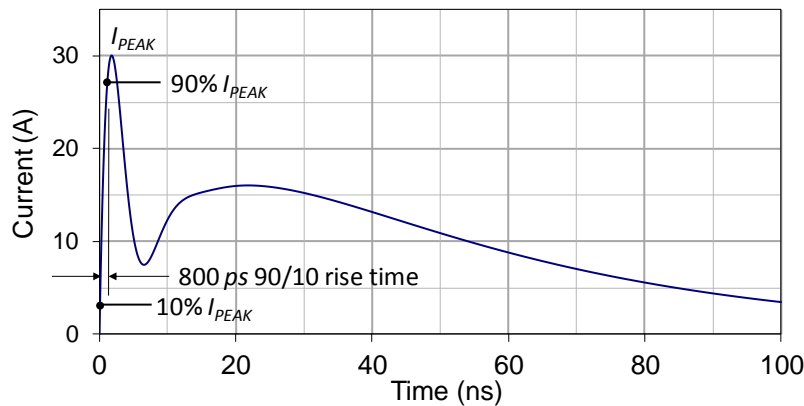


Figure 1. Ideal Contact Discharge Waveform of the Output Current of the ESD Simulator at 4-kV

3 Setup

This section describes the intended use of the EVM. A generalized outline of the procedure given in IEC 61000-4-2 is described here. IEC 61000-4-2 should be referred to for a more specific testing outline. Basic configurations for collecting s-parameters and ESD clamping waveforms are outlined as well.

3.1 IEC 61000-4-2 ESD Rating Tests

TPD1E01B04DPY (D1 – D5) can be used for destructive electrostatic discharge (ESD) pass or fail strikes. Specifically, they can be used for both IEC 61000-4-2 air and contact discharge tests. The procedure in [Section 3.1.1](#) ensures proper testing setup and method for both discharge tests. Each IO has a Test Pad (TP1 – TP5) directly connected to it for striking ESD.

3.1.1 Test Method and Set-Up

An example test setup is shown in [Figure 2](#). Details of the testing table and ground planes can be found in the IEC 61000-4-2 test procedure. Ground the EVM using the banana connector J3. Discharge the ESD simulator on any of the test points TP1 – TP5. Contact and air-gap discharge are tested using the same simulator with the same discharge waveform. While the simulator is in direct contact with the test point during contact, it is not during air-gap.

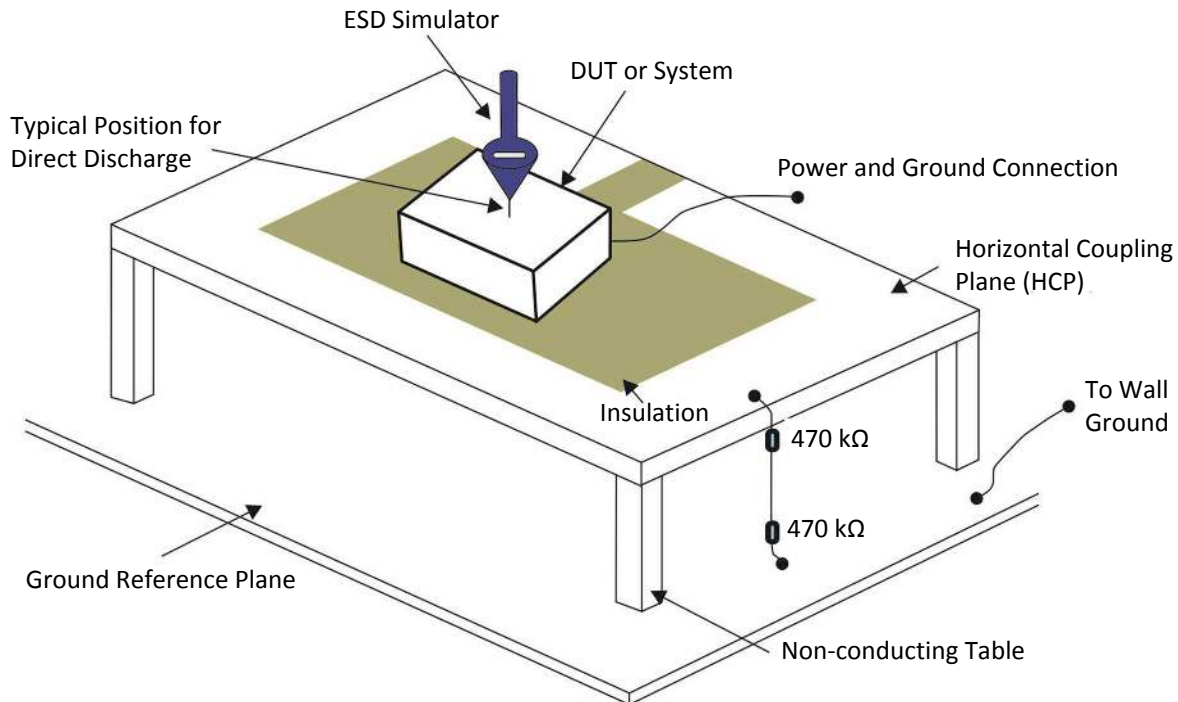


Figure 2. System Level ESD Test Setup

3.1.2 Evaluation of Test Results

Connect the tested device on the EVM to a curve tracer both before and after ESD testing. After each incremental level, if the IV-curve of the ESD protection diode shifts ± 0.1 V, or leakage current increases by a factor of ten, then the device is permanently damaged by ESD.

3.2 Scattering Parameters

A TPD1E01B04DPY (D6) is configured with 2 SMA (J1 and J2) connectors to allow 2-port analysis with a vector network analyzer. Connect Port 1 to J1 and Port 2 to J2. This configuration allows for the following terminology in 2-port analysis:

- S_{11} : Return loss
- S_{21} : Insertion loss

3.3 ± 8 -kV ESD Clamping Waveforms

A TPD1E01B04DPY (D6) has two SMA connectors (J1 and J2) which can be used for capturing clamping waveforms with an oscilloscope during an ESD strike. Caution must be taken when capturing clamping waveforms during an ESD event so as not to damage the oscilloscope. The procedures in [Section 3.3.1](#) outlines a proper method.

3.3.1 Oscilloscope Setup

Without a proper procedure, capturing ESD clamping waveforms exposes the oscilloscope to potential voltages higher than the rating of the equipment. Proper methodology can mitigate any risk in this operation.

Recommended Measurement Equipment:

- One 2-GHz bandwidth (minimum of 1 GHz) oscilloscope.
- Two 10X 50- Ω attenuators
- One 50- Ω shielded SMA cable.

Procedure

In order to protect the oscilloscope, attenuation of the measured signal is required. Here is a procedure for testing D3:

1. Ground the EVM using the banana connector J3.
2. Attach two 10X attenuators in series to the oscilloscope channel being used.
3. Attach the 50- Ω shielded SMA cable between J2 and the attenuators.
4. Set the scope attenuation factor to 100X.
5. Set the oscilloscope to trigger on a positive edge for (+) ESD and a negative edge for (-) ESD strikes. The trigger voltage magnitude should be set to 20 V.
6. Following [Section 3.1.1](#), strike contact ESD to J1.Pin1.

Recommended settings for the time axis is 20 ns/div and for the voltage axis is 10 V division.

The voltage levels of the ESD applied to J1.Pin1 should not exceed ± 8 kV while capturing clamping waveforms.

4 Board Layout

This section provides the TPD1E01B04DPYEVM board layout. TPD1E01B04DPYEVM is a 4-layer board of FR408HR at 0.062 inch thickness. Layers 2, 3, and 4 are ground planes and not shown here.

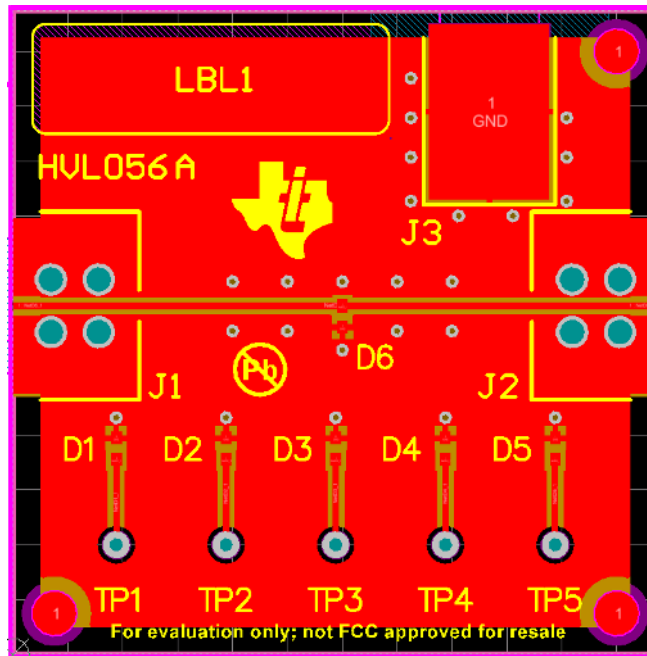


Figure 3. TPD1E01B04DPYEVM Top Layer and Silkscreen

5 Schematics

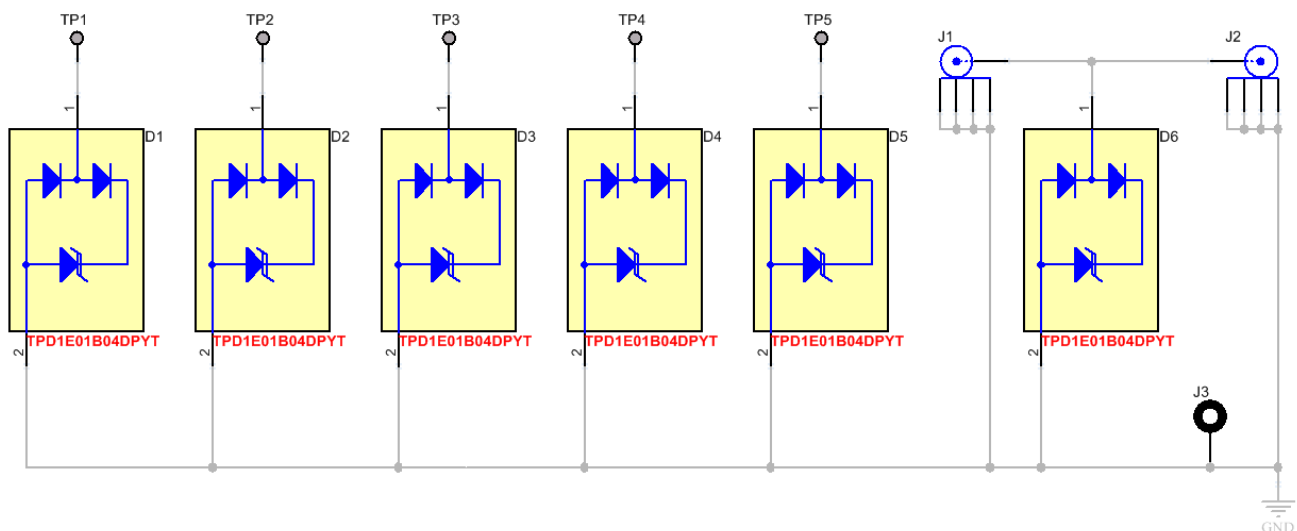


Figure 4. TPD1E01B04DPYEVM Schematic

6 Bill of Materials

Table 3. Bill of Materials

Count	RefDes	Description	Package Reference	Part Number	MFR
6	D1, D2, D3, D4, D5, D6	1-Channel ESD Protection Device for Super-Speed (up to 6 Gbps) Interface, DPY0002A	DPY0002A	TPD1E01B04DPY	Texas Instruments
2	J1, J2	Connector, TH, End launch SMA 50 Ω	Connector, TH, End launch SMA	142-0761-881	Johnson
1	J3	Standard Banana Jack, Insulated, Black	6092	6092	Keystone

IMPORTANT NOTICE

Texas Instruments Incorporated and its subsidiaries (TI) reserve the right to make corrections, enhancements, improvements and other changes to its semiconductor products and services per JESD46, latest issue, and to discontinue any product or service per JESD48, latest issue. Buyers should obtain the latest relevant information before placing orders and should verify that such information is current and complete. All semiconductor products (also referred to herein as "components") are sold subject to TI's terms and conditions of sale supplied at the time of order acknowledgment.

TI warrants performance of its components to the specifications applicable at the time of sale, in accordance with the warranty in TI's terms and conditions of sale of semiconductor products. Testing and other quality control techniques are used to the extent TI deems necessary to support this warranty. Except where mandated by applicable law, testing of all parameters of each component is not necessarily performed.

TI assumes no liability for applications assistance or the design of Buyers' products. Buyers are responsible for their products and applications using TI components. To minimize the risks associated with Buyers' products and applications, Buyers should provide adequate design and operating safeguards.

TI does not warrant or represent that any license, either express or implied, is granted under any patent right, copyright, mask work right, or other intellectual property right relating to any combination, machine, or process in which TI components or services are used. Information published by TI regarding third-party products or services does not constitute a license to use such products or services or a warranty or endorsement thereof. Use of such information may require a license from a third party under the patents or other intellectual property of the third party, or a license from TI under the patents or other intellectual property of TI.

Reproduction of significant portions of TI information in TI data books or data sheets is permissible only if reproduction is without alteration and is accompanied by all associated warranties, conditions, limitations, and notices. TI is not responsible or liable for such altered documentation. Information of third parties may be subject to additional restrictions.

Resale of TI components or services with statements different from or beyond the parameters stated by TI for that component or service voids all express and any implied warranties for the associated TI component or service and is an unfair and deceptive business practice. TI is not responsible or liable for any such statements.

Buyer acknowledges and agrees that it is solely responsible for compliance with all legal, regulatory and safety-related requirements concerning its products, and any use of TI components in its applications, notwithstanding any applications-related information or support that may be provided by TI. Buyer represents and agrees that it has all the necessary expertise to create and implement safeguards which anticipate dangerous consequences of failures, monitor failures and their consequences, lessen the likelihood of failures that might cause harm and take appropriate remedial actions. Buyer will fully indemnify TI and its representatives against any damages arising out of the use of any TI components in safety-critical applications.

In some cases, TI components may be promoted specifically to facilitate safety-related applications. With such components, TI's goal is to help enable customers to design and create their own end-product solutions that meet applicable functional safety standards and requirements. Nonetheless, such components are subject to these terms.

No TI components are authorized for use in FDA Class III (or similar life-critical medical equipment) unless authorized officers of the parties have executed a special agreement specifically governing such use.

Only those TI components which TI has specifically designated as military grade or "enhanced plastic" are designed and intended for use in military/aerospace applications or environments. Buyer acknowledges and agrees that any military or aerospace use of TI components which have **not** been so designated is solely at the Buyer's risk, and that Buyer is solely responsible for compliance with all legal and regulatory requirements in connection with such use.

TI has specifically designated certain components as meeting ISO/TS16949 requirements, mainly for automotive use. In any case of use of non-designated products, TI will not be responsible for any failure to meet ISO/TS16949.

Products

Audio	www.ti.com/audio
Amplifiers	amplifier.ti.com
Data Converters	dataconverter.ti.com
DLP® Products	www.dlp.com
DSP	dsp.ti.com
Clocks and Timers	www.ti.com/clocks
Interface	interface.ti.com
Logic	logic.ti.com
Power Mgmt	power.ti.com
Microcontrollers	microcontroller.ti.com
RFID	www.ti-rfid.com
OMAP Applications Processors	www.ti.com/omap
Wireless Connectivity	www.ti.com/wirelessconnectivity

Applications

Automotive and Transportation	www.ti.com/automotive
Communications and Telecom	www.ti.com/communications
Computers and Peripherals	www.ti.com/computers
Consumer Electronics	www.ti.com/consumer-apps
Energy and Lighting	www.ti.com/energy
Industrial	www.ti.com/industrial
Medical	www.ti.com/medical
Security	www.ti.com/security
Space, Avionics and Defense	www.ti.com/space-avionics-defense
Video and Imaging	www.ti.com/video

TI E2E Community

e2e.ti.com