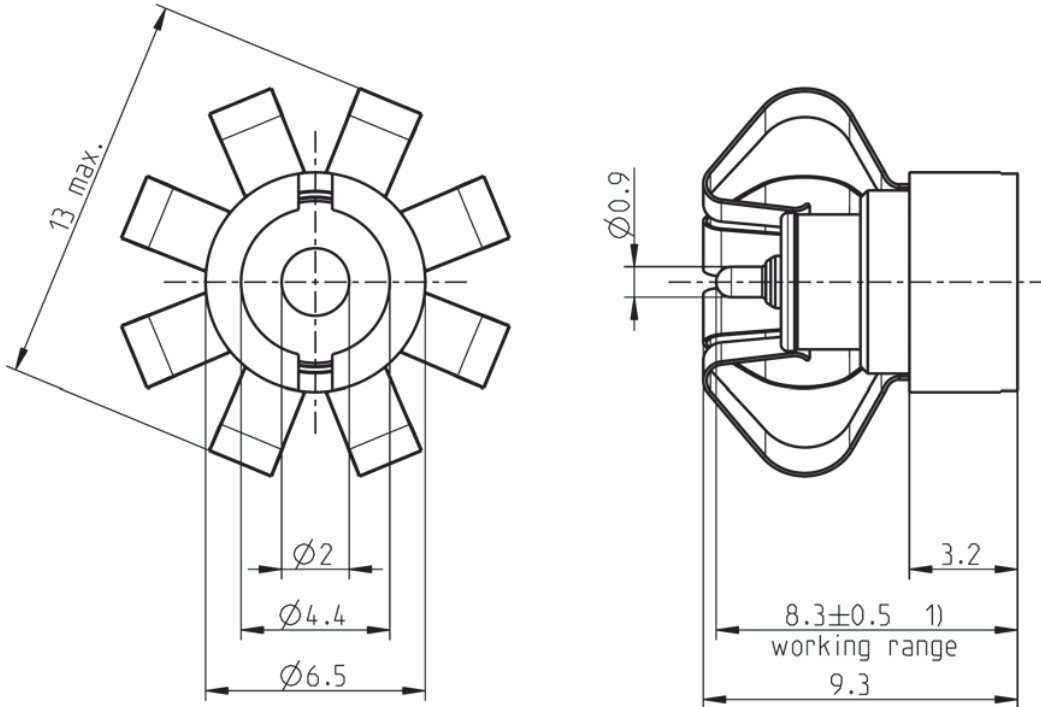


EIC

Board to board
connector system with
spring loaded center pin

B2BF101-001B5



All dimensions are in mm; tolerances acc. to ISO 2768 m-H
1) deflection of PCB in the zone of working range permissible

Interface

According to Rosenberger B2B

Documents

Panel piercing – Landing Pad B 444
Panel piercing B 441

Material and plating

Connector parts

Center contact
Outer contact
Contact spring
Dielectric

Material

Brass
Brass
CuBe
PTFE

Plating

AuroDur®, gold plated
Silver, 3-6 µm
Silver, 3-6 µm

EIC

Board to board
connector system with
spring loaded center pin

B2BF101-001B5

Electrical data

Impedance 50 Ω
 Frequency DC to 10 GHz
 Return loss ≥ 25 dB @ DC to 3.5 GHz
 ≥ 23 dB @ 3.5 GHz to 7 GHz
 Insertion loss ≤ 0.05 x √f [GHz] dB
 Insulation resistance ≥ 5 GΩ
 Center contact resistance ≤ 5 mΩ
 Outer contact resistance ≤ 1 mΩ
 Test voltage (at sea level) 1000 V rms
 Working voltage (at sea level) 480 V rms
 Power handling (at 20 °C, sea level, VSWR 1.0) 130 W @ 2.7 GHz
 Intermodulation (3rd order) ≥ 140 dBc (2 x 33 dBm)
 Screening Attenuation 80 dB up to 4 GHz

- Connector only, VSWR in application depends decisive on PCB layout -

Mechanical data

Mating cycles ≥ 100
 Center contact captivation ≥ 7 N
 Contact force working range 4- 12 N
 Working range (axial misalignment) 1mm
 Radial misalignment ± 0.6 mm

Environmental data

Temperature range -65 °C to +165 °C
 Rapid change of temperature IEC 60068-2-14 (-65 °C to 165 °C, 1h dwell, 50 cycles)
 Vibration MIL-STD-202, Method 204, Condition B
 Shock MIL-STD-202, Method 213, Condition A
 Damp heat IEC 60068-2-78 (40°C, 93% RH, 56d)
 High temperature endurance IEC 61169-1, Sub-clause 9.6 (+165 °C, 1000 hours)
 Max. soldering temperature IEC 61760-1, +260 °C for 10 sec.
 RoHS compliant

Tooling

N/A

Weight

Weight 0.90 g/pce

While the information has been carefully compiled to the best of our knowledge, nothing is intended as representation or warranty on our part and no statement herein shall be construed as recommendation to infringe existing patents. In the effort to improve our products, we reserve the right to make changes judged to be necessary.

Draft	Date	Approved	Date	Rev.	Engineering change number	Name	Date
Weidensp. R.	11.09.12	Sa. Krautenbacher	24.03.14	300	14-0352	T. Krojer	24.03.14
Rosenberger Hochfrequenztechnik GmbH & Co. KG P.O.Box 1260 D-84526 Tittmoning Germany www.rosenberger.de				Tel. : +49 8684 18-0 Fax : +49 8684 18-499 Email : info@rosenberger.de			Page 2 / 2