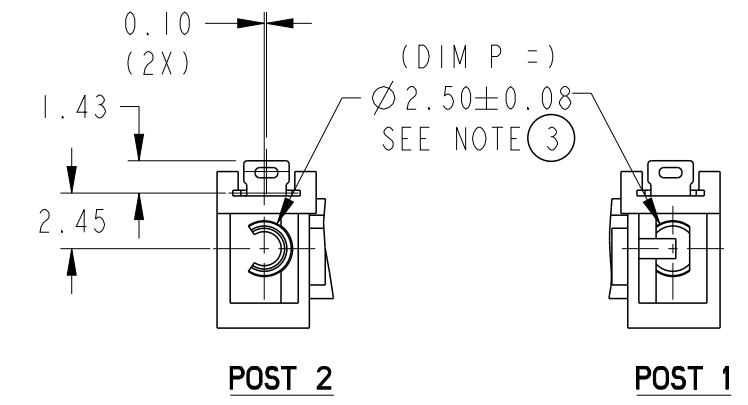
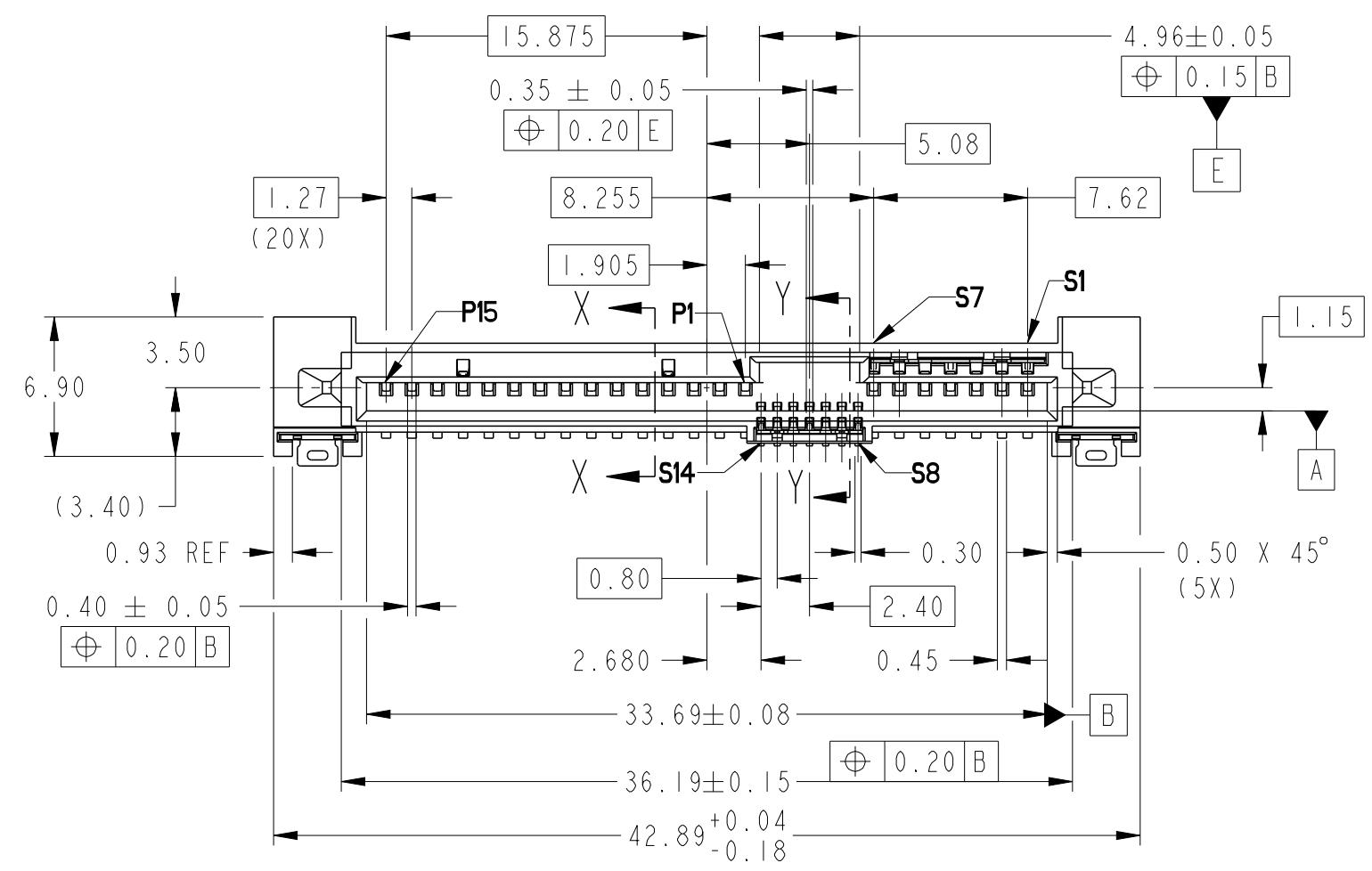
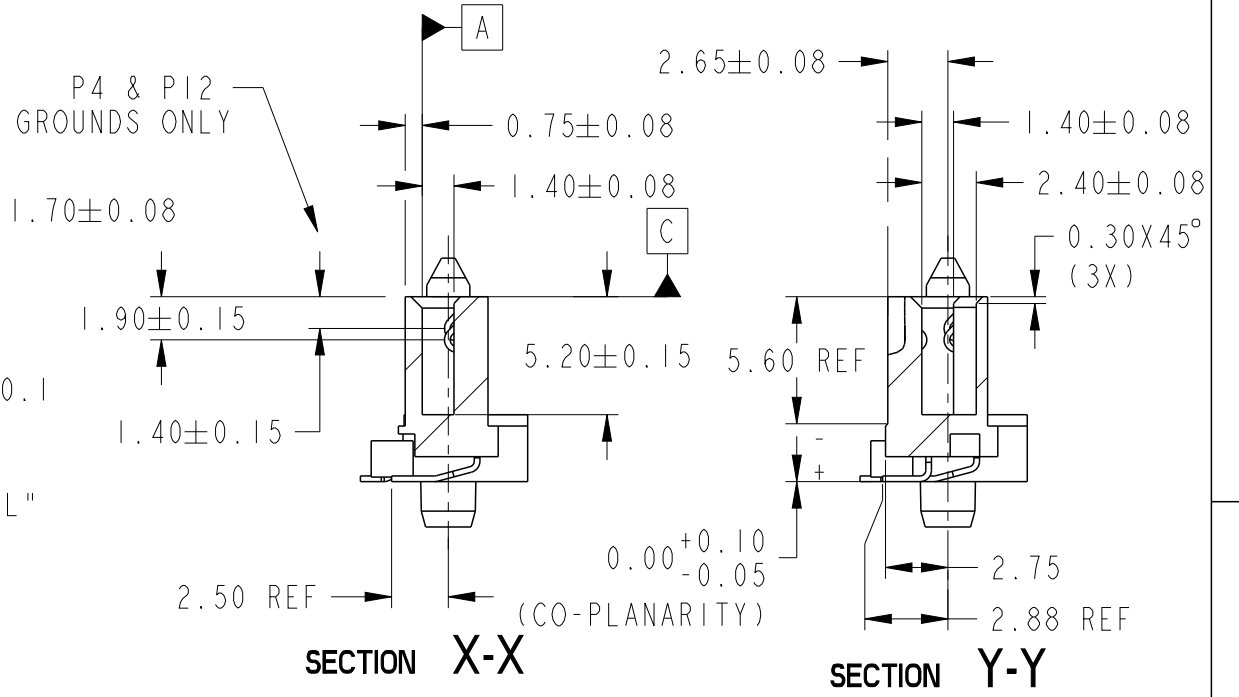
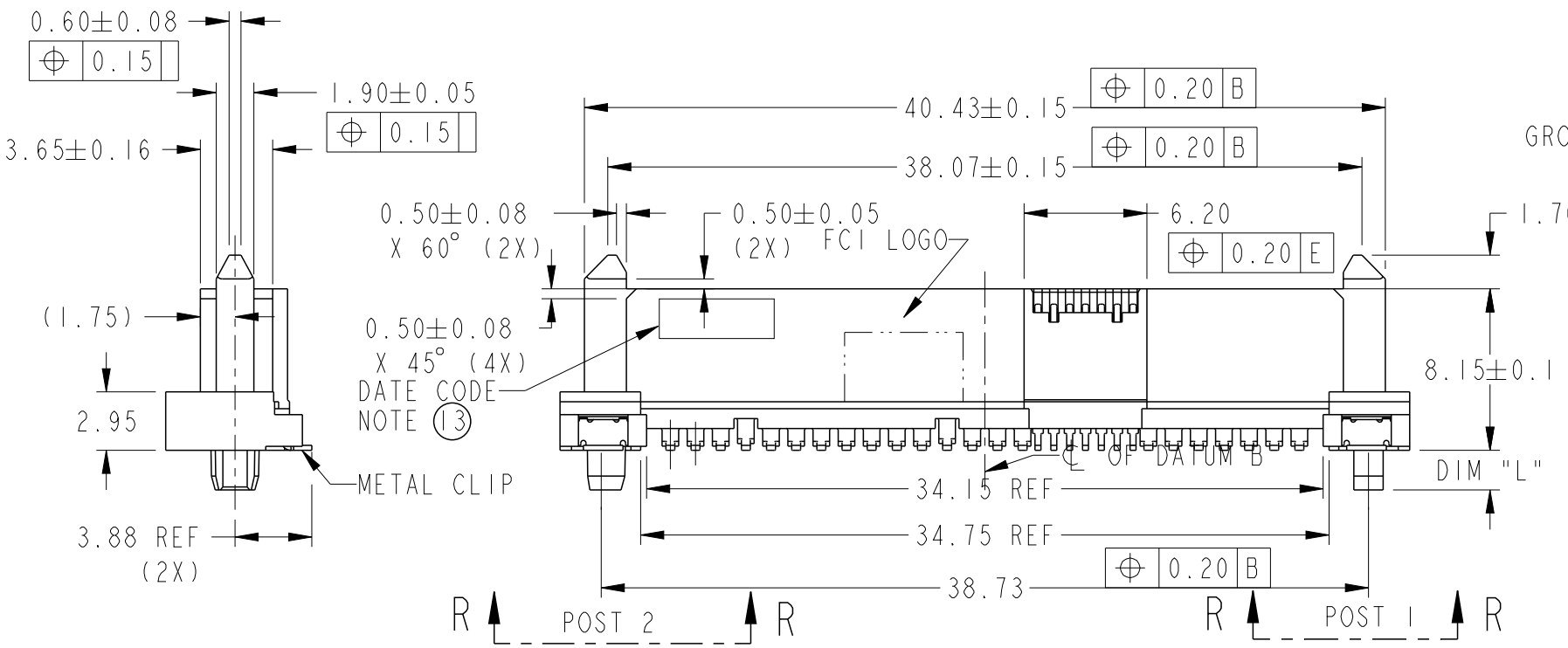


PRODUCT NUMBER  
SEE TABLE



DETAIL R

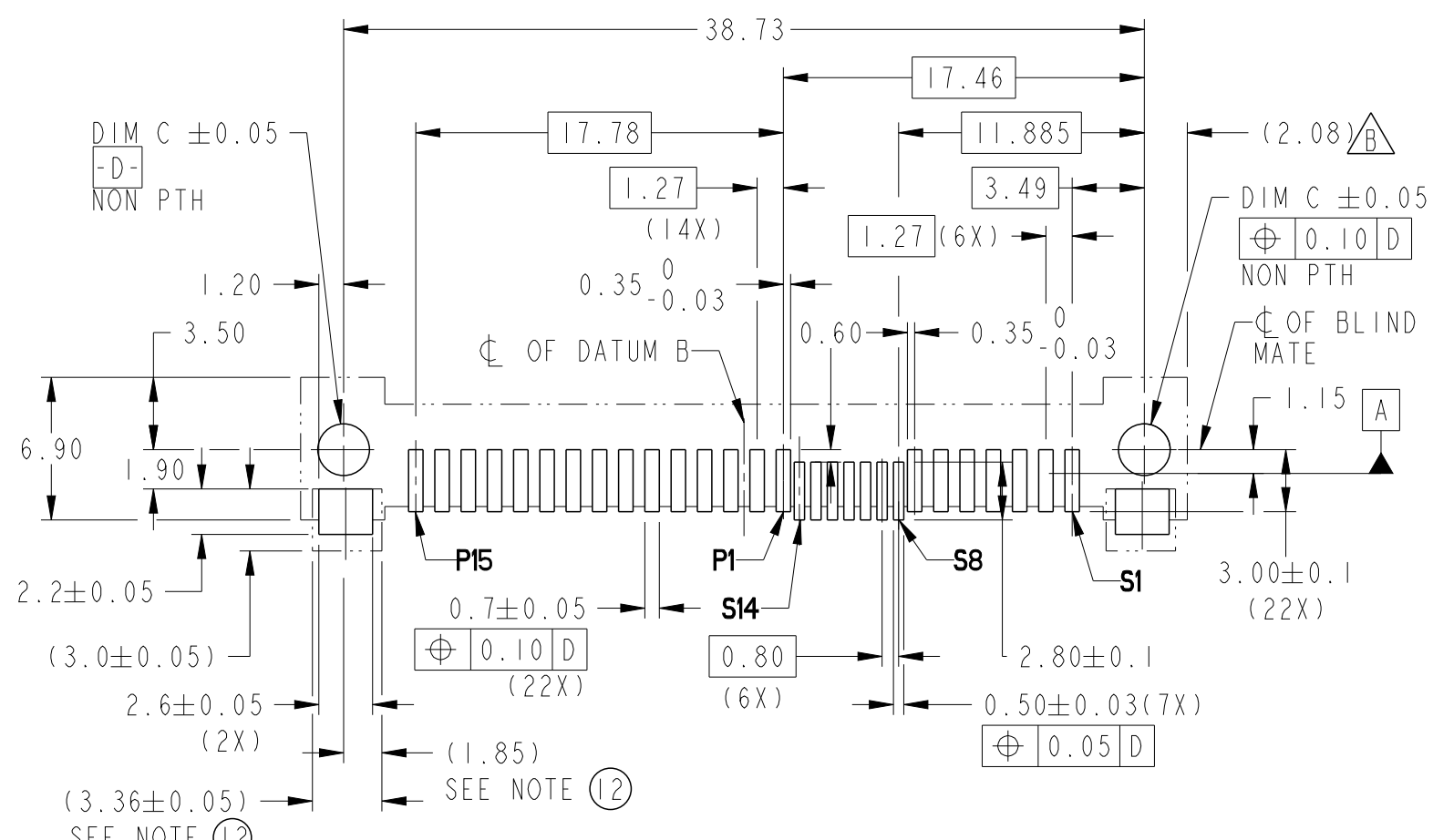
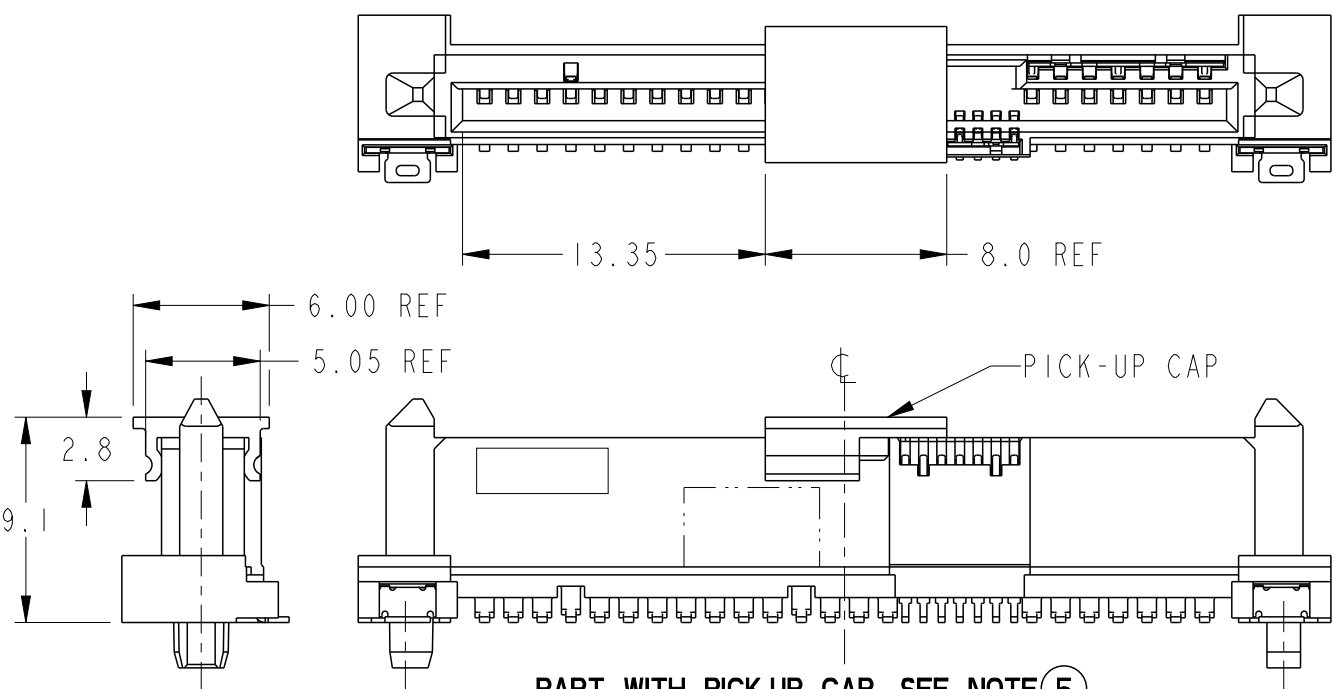


Amphenol  
FCi

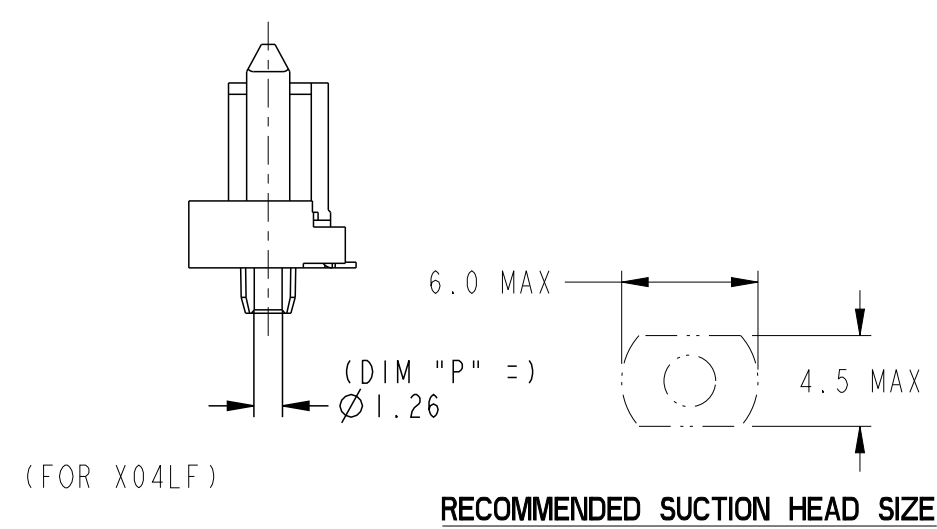
© 2016 AFCI

spec ref	-	dr	Vajith P-N	2014/02/21	projection	MM	size	A3	scale	3:1
tolerance std	ISO 406 ISO 1101	eng	Noorhazinda	2016/08/16			ecn no	ELX-M-24726-1	rel level <b>Released</b>	
TOLERANCES UNLESS OTHERWISE SPECIFIED		chr	-	2016/08/30			product family	SAS		
surface	linear	0.X	±		12G SAS RECEPTACLE		dwg no	10129051		rev <b>B</b>
	angular	0.XX	±0.20		WIDE BASE SMT TYPE ASSY					
		0.XXX	±		cat. no.	-	Product - Customer Drw		sheet 1 of 3	
		0°	±2°							

PRODUCT NO	DIM L	DIM P	DIM C	RECOMMENDED P.C. BOARD THICKNESS	PICK-UP CAP	PACKAGING	REMARK
10129051-001LF	3.7	Ø2.50	Ø2.50	4.57mm (0.18")	NO	TRAY	--
10129051-001CLF					YES		
10129051-001C-TRLF					YES		
10129051-002LF	2.0	Ø2.50	Ø2.50	2.54mm (0.100")	NO	TRAY	--
10129051-002CLF					YES		
10129051-002C-TRLF					YES		
10129051-004LF	1.0	Ø1.26	Ø1.40	1.60mm (0.063")	NO	TRAY	--
10129051-004CLF					YES		
10129051-004C-TRLF					YES		



RECOMMENDED PCB LAYOUT  
SCALE 3:1



Amphenol FCI


© 2016 AFCI

spec ref	-	dr	Vajith P-N	2014/02/21	projection	MM	size	A3	scale	3:1
tolerance std	ISO 406 ISO 1101	eng	Noorhazlinda	2016/08/16			ecn no	ELX-M-24726-1	rel level	Released
TOLERANCES UNLESS OTHERWISE SPECIFIED		chr	-	apppr			Koon-Poh Tay	2016/08/30		product family
surface	linear	0.X	±-	<b>Amphenol FCI</b>		12G SAS RECEPTACLE WIDE BASE SMT TYPE ASSY		dwg no 10129051	rev B	
	angular	0.XXX	±-							cat. no.

PRODUCT NUMBER

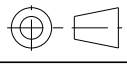
SEE TABLE

NOTES:

1. MATERIAL:
  - 1) HOUSING: HIGH TEMP TERMOPLASTIC, UL 94V-0  
COLOR : BLACK
  - 2) TERMINAL: COPPER ALLOY
  - 3) HOLD DOWN: COPPER ALLOY
2. FINISH:
  - 1) TERMINAL: 30μ" Au PLATING (CONTACT POINT)  
OVER 50μ" NICKEL
  - 2) SOLDER TAIL: 50μ" MIN Sn OVER 50μ" NICKEL
  - 3) HOLD DOWN: 50μ" MIN Sn OVER 50μ" NICKEL
- ③ THE DIM. IS MEASURED AT P.C. BOARD SITTING PLANE
4. PER SFF REV 1.3 EXCEPT 0.8mm PITCH BUMP AREA
- ⑤ PART WITH PICK-UP CAP, P/N XXXXXXXX-XXXCLF
6. THE STD PACKAGING IS IN TRAY
7. THE TAPE & REEL PACKAGING, SUFFIX "-TR" ADDED AFTER  
PRODUCT NUMBER (E.G. XXXXXXXX-XXC-TRLF)
8. THE HOUSING WILL WITHSTAND EXPOSURE TO 260°C PEAK TEMPERATURE  
FOR 10 SECONDS IN A CONVECTION, INFRA-RED OR VAPOR PHASE REFLOW  
OVEN.
- ⑨ THIS PRODUCT MEETS EUROPEAN UNION DIRECTIVES AND OTHER COUNTRY  
REGULATIONS AS DESCRIBED IN GS-47-0004.
- ⑩ PART NUMBERS ENDING IN "LF" MEANS FOR NOTE 8 LEAD FREE IDENTIFICATION
11. A  SYMBOL WILL BE NEXT TO ANY DIMENSION, VIEW, OR NOTE WHICH HAS  
BEEN MODIFIED WITH THE CURRENT DRAWING REVISION.
- ⑫ THE GROUND PAD SIZES SHOWN IN ( ) IS THE COMPETITOR DESIGN FOR REF.
- ⑬ DATE CODE LOCATION. DATE CODE NO. YYWWD (E.G. 14225)
14. CORING AT NON FUNCTIONAL AREAS ARE SUBJECT TO CHANGE WITHOUT NOTICES.

Amphenol  
FCi

© 2016 AFCI

spec ref -		dr	Vajith P-N	2014/02/21	projection	MM	size	A3	scale	3:1						
tolerance std		TOLERANCES UNLESS OTHERWISE SPECIFIED				← →	ecn no		ELX-M-24726-1							
ISO 406 ISO 1101		eng	Noorhazlinda	2016/08/16			product family		SAS	rel level		Released				
surface		linear	0.X	± -	<b>Amphenol FCi</b>		12G SAS RECEPTACLE		dwg no		10129051		rev		B	
ISO 1302		angular	0°	±2°												
			0.XX	±0.20												
			0.XXX	± -												