

THIS DRAWING IS UNPUBLISHED. RELEASED FOR PUBLICATION JAN ,2006.

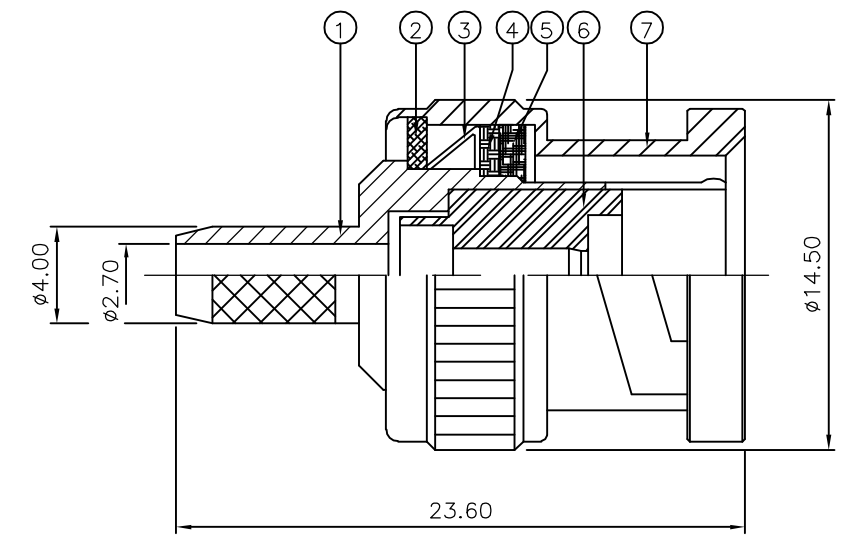
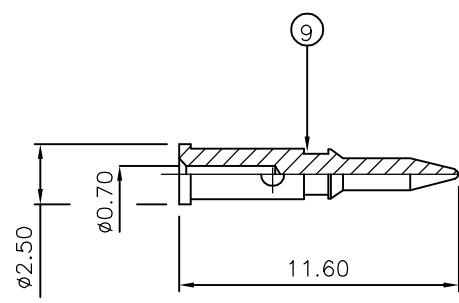
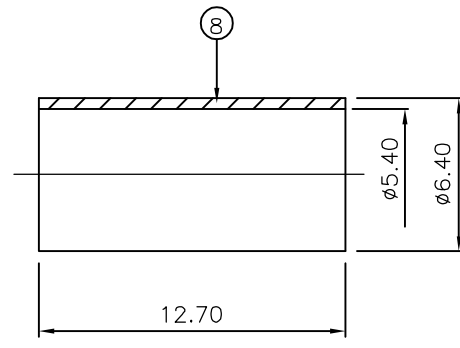
© COPYRIGHT 2006 BY TYCO ELECTRONICS CORPORATION. ALL RIGHTS RESERVED.

LOC	DIST	REVISIONS			
P	LTR	DESCRIPTION	DATE	DWN	APVD
E	B	C	ECR-05-017969	17JAN06	JMS FWK

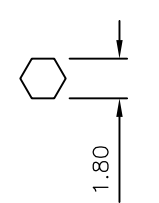
NOTES:

- 1 PACK IN ACCORDANCE WITH AMP SPEC 107-3275
- 2 100 TRAY PACK IN ACCORDANCE WITH AMP SPEC 107-3275
- 3 Au PLATING
- 4 Ni PLATING
- 5 THIS ITEM MUST BE WHITE
- 6 HAND TOOL : 9-1478240-0
- 7 DIE SET : 9-1478242-0
- 8 ELECTRICAL CHARACTERISTICS
 FREQUENCY RANGE: DC - 2 GHz
 NOMINAL IMPEDANCE: 75 Ohm

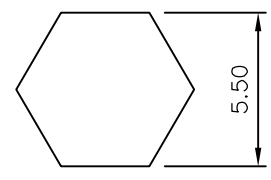
 INSULATION RESISTANCE: 5000 MOhm
 WORKING VOLTAGE: 500 Volts RMS at Sea Level
 DIELECTRIC WITHSTAND VOLTAGE: 1500 Volts RMS Max
 CONTACT RESISTANCE:
 CENTRE CONTACT: 1.50 mOhm Max
 OUTER CONTACT: 0.20 mOhm Max
 VSWR @ 2GHz: 1.20:1 Max
 INSERTION LOSS dB @ x 2 GHz: 0.20 Max
- 9 MECHANICAL CHARACTERISTICS
 COUPLING RETENTION FORCE: 445N Min
 CABLE RETENTION FORCE: 170N Min
 DURABILITY: 500 Cycles Min
- 10 ENVIRONMENTAL CHARACTERISTICS
 OPERATING TEMPERATURE: -65 to +165 DegC



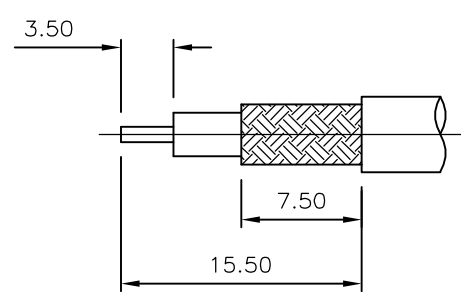
RECOMMENDED CENTRE CONTACT A/F HEX



RECOMMENDED CRIMP SLEEVE A/F HEX



RECOMMENDED CABLE STRIPPING DIM'S



QTY	QTY PER ASSY	MATERIAL	DESCRIPTION	ITEM
1	1	BRASS	CONTACT	9
1	1	BRASS	FERRULE	8
1	1	BRASS	SHELL	7
1	1	PTFE	INSULATION	6
1	1	SILICON RUBBER	GASKET	5
1	1	BRASS	RETAINING RING	4
1	1	SPRING STEEL	SPRING	3
1	1	BRASS	WASHER	2
1	1	BRASS	BODY	1
6--0	1--0		MATERIAL	DESCRIPTION
				ITEM

QUANTITY PER ASSY		PARTS LIST	
		Tyco Electronics Corporation Bideford EX39 4HE	
NAME		BNC STRAIGHT PLUG CRIMP 75 OHM BT2002	
SIZE	CAGE CODE	DRAWING NO	RESTRICTED TO
A3	00779	C-1337495	-
CUSTOMER DRAWING		SCALE	SHEET 1 OF 1 REV C
		NTS	

THIS DRAWING IS A CONTROLLED DOCUMENT.		DWN	J.SANDWELL	17JAN06														
DIMENSIONS: mm		CHK	S.PARLOW	17JAN06														
		APVD	F.WHEELER-KING	17JAN06														
<table border="1"> <thead> <tr> <th colspan="2">TOLERANCES UNLESS OTHERWISE SPECIFIED:</th> </tr> </thead> <tbody> <tr> <td>0 PLC</td> <td>± -</td> </tr> <tr> <td>1 PLC</td> <td>± -</td> </tr> <tr> <td>2 PLC</td> <td>± -</td> </tr> <tr> <td>3 PLC</td> <td>± -</td> </tr> <tr> <td>4 PLC</td> <td>± -</td> </tr> <tr> <td>ANGLES</td> <td>± -</td> </tr> </tbody> </table>		TOLERANCES UNLESS OTHERWISE SPECIFIED:		0 PLC	± -	1 PLC	± -	2 PLC	± -	3 PLC	± -	4 PLC	± -	ANGLES	± -	PRODUCT SPEC	-	
TOLERANCES UNLESS OTHERWISE SPECIFIED:																		
0 PLC	± -																	
1 PLC	± -																	
2 PLC	± -																	
3 PLC	± -																	
4 PLC	± -																	
ANGLES	± -																	
MATERIAL		APPLICATION SPEC	411-3247	WEIGHT														
SEE TABLE		FINISH	-	-														