



Since 1959

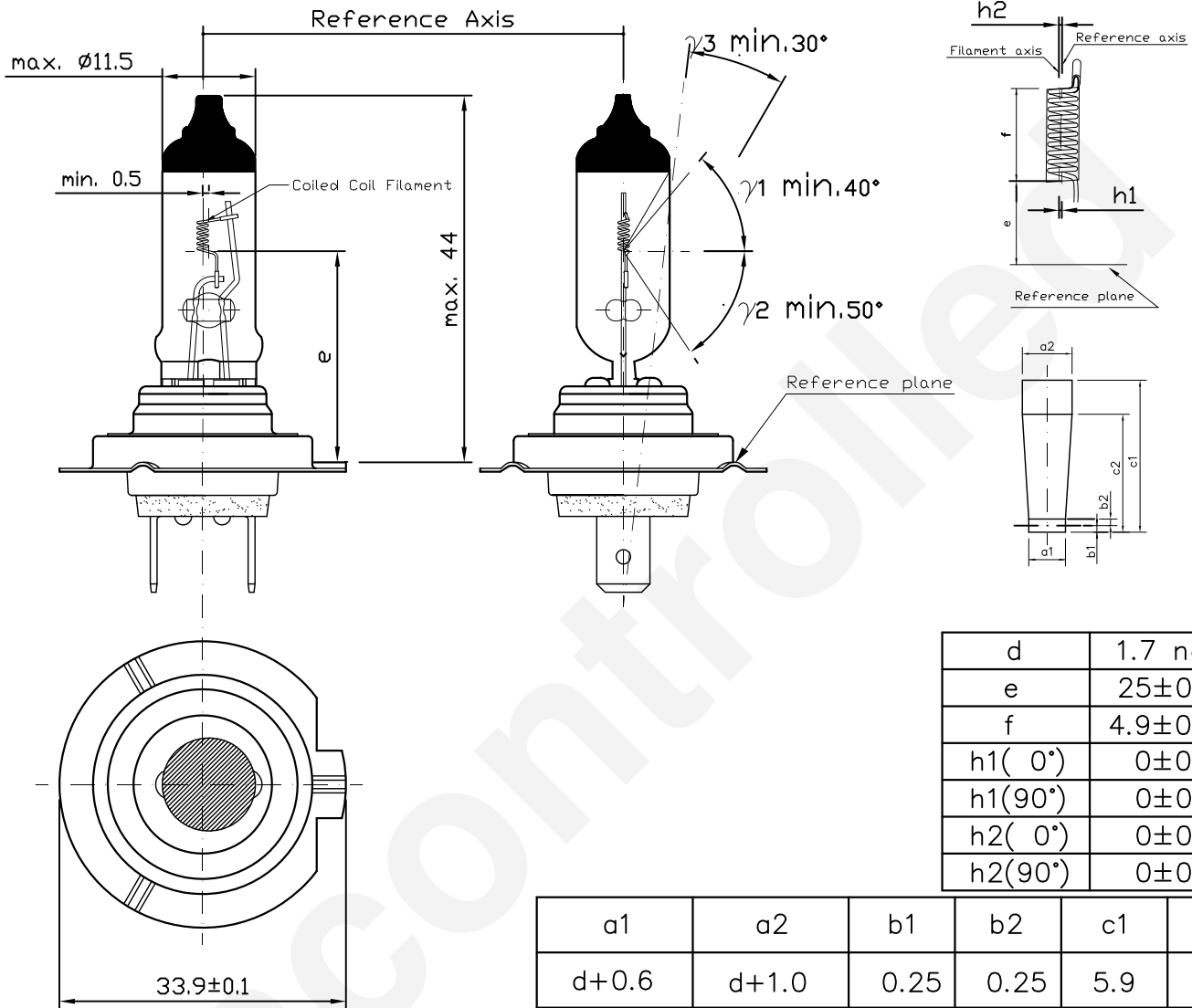
Product Information Sheet

H7 24V 70W

H7 24V 70W

2012. 02. 16 NEW

2011. 12. 16 OLD



d	1.7 nom
e	25±0.25
f	4.9±0.5
h1(0°)	0±0.30
h1(90°)	0±0.30
h2(0°)	0±0.50
h2(90°)	0±0.50

a1	a2	b1	b2	c1	c2
d+0.6	d+1.0	0.25	0.25	5.9	4.4

Technical data	R37
Test voltage	28.0V
Power	75W max.
Luminous flux	1750lm ±10%
Lumen maintenance	85 % min

Rated life:	at 28.0V
-characteristic Tc	500 h min
-B3	220 h min

Maximum operating temperature:	1:bulb 800°C max 2:pinch 400°C max
--------------------------------	---------------------------------------

Halogen bulb

H7 24V 70W

Cap: ¹⁾ PX26d

Type: STD

ECE R37 (E1) 2RU

FMVSS108 None

Bulb:UV-cut Quartz glass

Made in korea / INCHEON

1) according to IEC 61-1 sheet 7004-5-1