

PART No. MATRIX

E 1 6 A 0 6 0 1 6 M X X X X

E=ETHERNET/
Ethernet

HEADS:
1 = M12 D-Coding
6 = RJ45

HEADS STYLE:
060 = MALE STR / MALE STR

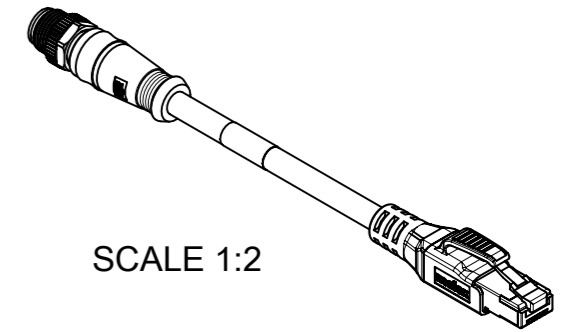
CABLE TYPE :
CABLE 16

UNITS:
M= METER
T=10x METER

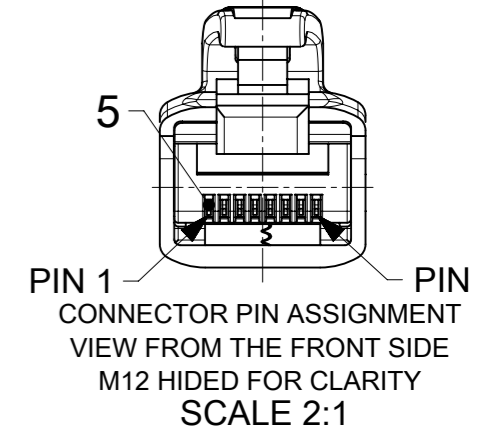
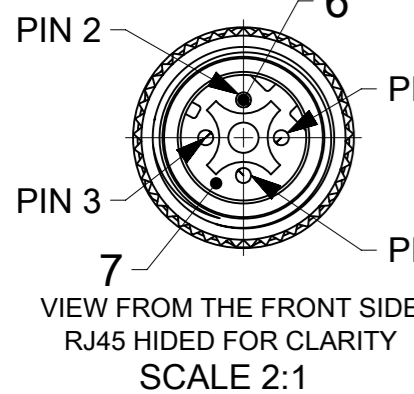
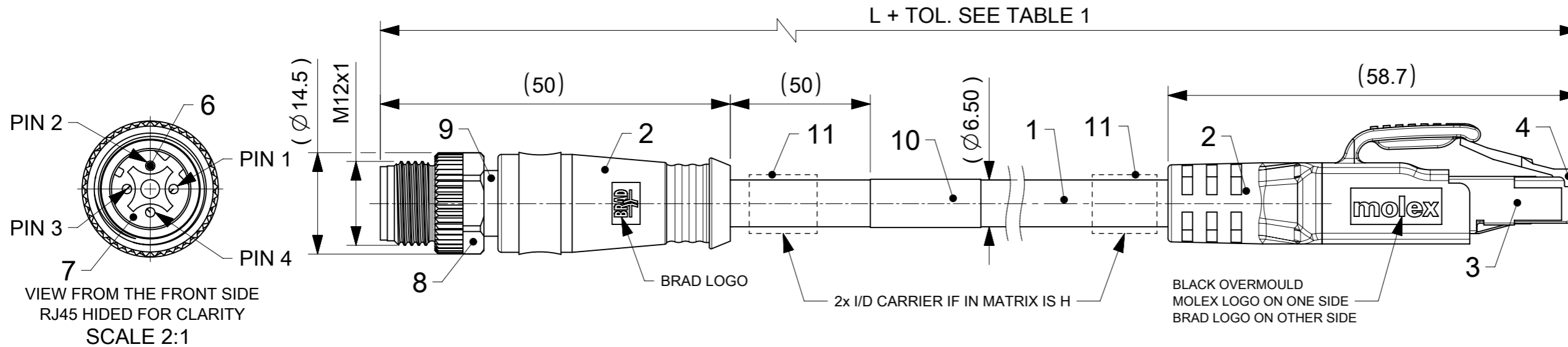
LENGTH EXAMPLES:
005=0.5 m
010=1 m
150=15 m
T100=100 m

H= 2 PCS. OF I/D Carrier

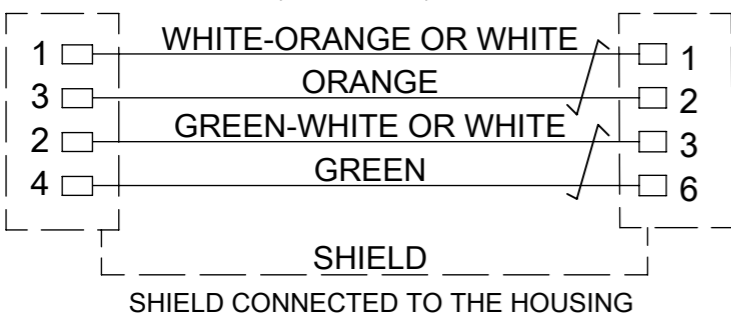
WIRING TYPE:
A=4 Pole (STRAIGHT WIRED)



SCALE 1:2



WIRING DIAGRAM (Twisted Pair)



TECHNICAL DATA :

- M12 D-CODED TO RJ45 CAT5e CORDSET AWG24 STRAIGHT TEAL INLINE 360° SHIELDED.
- POLES : 4
Max. VOLTAGE : 30V A.C. or 42V D.C.
Max. CURRENT : 1.5A
CONTACT RESISTANCE : ≤10 mΩ
INSULATION WITHSTAND : >100MΩ
PROTECTION CLASS M12 / RJ45 : IP67 / IP20
TEMPERATURE RANGE : -25°C to 80°C
- TRANSMISSION CHARACTERISTICS : (CATEGORY) : CAT5e, EtherNET
- PACKAGING : THE CORDSETS ARE PACKED IN POLYBAG
- TRANSMISSION CHARACTERISTICS ACCORDING TO ISO/IEC 11801 CATEGORY 5e PATCH CORD PROFINET TYPE C

BOM

* NOTE : ID CARRIER APPLICABLE, IF ENGINEERING No. HAS "H" (SEE TABLE1)

ITEM	QTY	DESCRIPTION	MATERIAL	FINISH/COLOR
11	2	ID CARRIER	PVC	TRANSPARENT
10	1	LABEL 2.0X1.75	VINYL	YELLOW
9	1	M12 M STR SHLD	BRASS	Ni-PLATED
8	1	NUT M12 MALE	BRASS	Ni-PLATED
7	1	INSERT 4P M12 MALE	PUR	BLACK
6	4	CONTACT 10 MALE	Cu/Ni2	GOLD OVER NICKEL
5	4	CONTACT RJ45	PHOSPHOR BRONZE	SELECTIVE GOLD
4	1	PLUG RJ45 TRANSPARENT	PC	-
3	1	SHIELD	BRASS	TIN
2	-	MOULDING MATERIAL	TPU	BLACK
1	-	CABLE 2x2x24AWG SHIELD	TPU	TEAL

TABLE 1

MOLEX PN	ENGINEERING NO	L (m)	MOLEX PN	ENGINEERING NO	L (m)
1201088776	E16A06016M003	0.3	1201088462	E16A06016M250	25
1201088777	E16A06016M006	0.6	1201088460	E16A06016M150	15
1201088450	E16A06016M010	1	1201088463	E16A06016M300	30
1201088451	E16A06016M020	2	1201088461	E16A06016M200	20
1201088452	E16A06016M030	3	1201088464	E16A06016M350	35
1201088453	E16A06016M040	4	1201088465	E16A06016M400	40
1201088454	E16A06016M050	5	1201088466	E16A06016M450	45
1201088455	E16A06016M060	6	1201088467	E16A06016M500	50
1201088533	E16A06016M070	7	1201088468	E16A06016M550	55
1201088456	E16A06016M080	8	1201088469	E16A06016M600	60
1201088457	E16A06016M090	9	1201088470	E16A06016M650	65
1201088458	E16A06016M100	10	1201088471	E16A06016M700	70
1201088459	E16A06016M120	12	1201088472	E16A06016M750	75
1201088534	E16A06016M140	14	1201088473	E16A06016M800	80
			1201088526	E16A06016M850	85
			1201088527	E16A06016M900	90

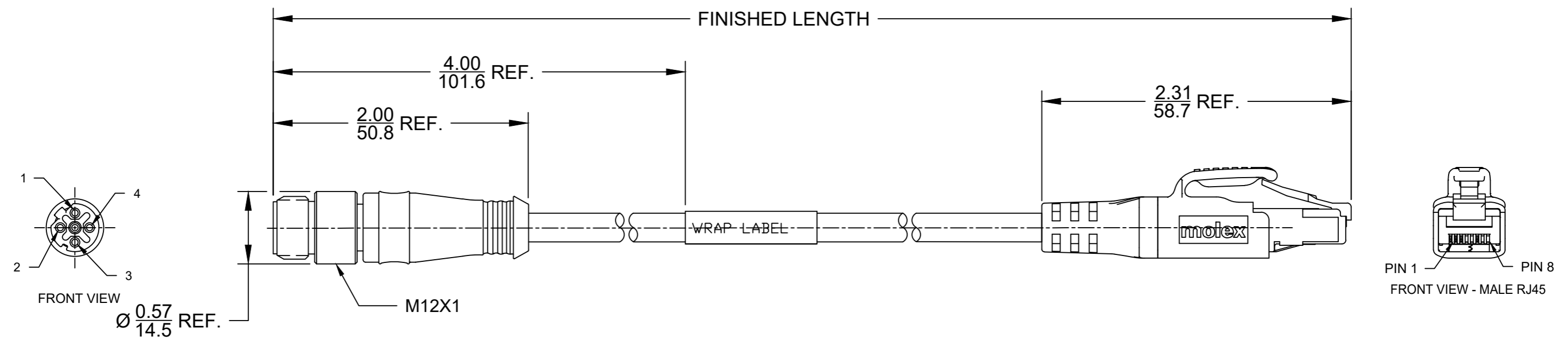
TABLE 2

LENGTH	TOLERANCE
0m-1m	+40 mm
>1m-5m	+60 mm
>5m-10m	+80 mm
>10m-20m	+140 mm
>20m-30m	+160 mm
>30m	+1% length

FUNCTIONAL SYMBOLS ▽A = 0 ▽E = 0 ▽F = 0	THIS DRAWING CONTAINS INFORMATION THAT IS PROPRIETARY TO MOLEX ELECTRONIC TECHNOLOGIES, LLC AND SHOULD NOT BE USED WITHOUT WRITTEN PERMISSION	SCALE 3:2	CURRENT REV DESC:	
	GENERAL TOLERANCES (UNLESS SPECIFIED)	ANGULAR TOL ± 1.0°	4 PLACES ±	3 PLACES ±
DIVISIONAL SYMBOLS	DRAFT WHERE APPLICABLE MUST REMAIN WITHIN DIMENSIONS	THIRD ANGLE PROJECTION	DRAWING A3-SIZE	SERIES 120108
EC NO: 689781 DRWN: SSM CHK'D: RSILLER APPR: RSILLER		2021/08/18 2021/12/21 2021/12/21		
INITIAL REVISION: DRWN: MDHARMANTI APPR: RSILLER		2020/08/10 2020/09/02	CSE M12 ETH 4P DC MA STR WSOR RJ45 XM DE SHLD D6.5 TEAL PRODUCT CUSTOMER DRAWING	
DOCUMENT NUMBER 1201088450		DOC TYPE PSD	DOC PART 000	REVISION A1
MATERIAL NUMBER SEE TABLE 1		CUSTOMER GENERAL MARKET	SHEET NUMBER 1 OF 1	

MATERIAL NUMBER	ENG. NUMBER	FINISHED LENGTH
1201088450	E16A06016M010	1 M
1201088462	E16A06016M250	25 M
1201088473	E16A06016M800	80 M

©



CABLE TYPE
24 AWG TPU-TEAL

E16A06016M005

LENGTH
M005 - 0.5M
M050 - 5M
M250 - 25M

NOTES:
STANDARDS:
PROTECTION:
IP20 RJ45 END
IP67 M12 END

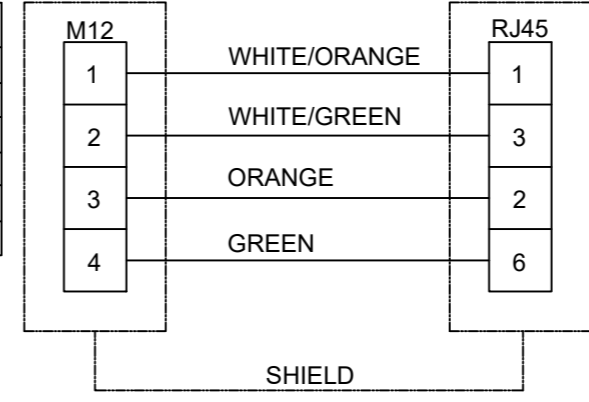
WRAP LABEL:
MARKED WITH P/N, DATE CODE, VOLTAGE & AMPERAGE

ELECTRICAL
ACCORDING TO CAT5e
VOLTAGE RATING: 125V AC/DC
AMPERAGE: 1.5A

ADDITIONAL CABLE INFORMATION

PHYSICAL CHARACTERISTICS:	
CONDUCTOR SIZE	24AWG 2 PAIR (19/0.12mm) BARE COPPER
INSULATION MATERIAL	POLYOLEFIN
SHIELD/BRAID	TINNED COPPER 85% COVERAGE
JACKET MATERIAL	TPU (TEAL)
CONDUCTOR TAPE	ORANGE, ORANGE-WHITE & GREEN, GREEN-WHITE ALUMINUM-POLYESTER

CABLE:	
TEMPERATURE RATING (STORAGE)	-40 / +80°C
TEMPERATURE RATING (OPERATION)	-20 / +50°C
WELD SLAG RESISTANCE	YES, S-300 MOLEX TEST
FREE SUBSTANCE'S	FCKW, SILICONE, AND PB
FIRE PERFORMANCE	IEC60332-1, UL1581
OIL RESISTANCE	ISO6722, UL758/2556



WIRING DIAGRAM

CABLE LENGTH TOLERANCES		
OVER (mm)	UP TO AND INCLUDING (mm)	TOLERANCES (mm)
0	305	+19
305	915	+45
915	1830	+56
1830	3660	+89
3660	7320	+165
7320	14640	+317
14640	30500	+610
30500	>	+2% OF FINISHED LENGTH

QTY	DESCRIPTION	MATERIAL	FINISH
1	LABEL	VINYL	BLACK/YELLOW
1	INSTERT	PUR	BLACK
4	M12 FEMALE PIN CONTACT	COPPER ALLOY	GOLD PLATED
1	M12 COUPLING NUT	BRASS	NICKEL PLATED
1	RJ45 OVERMOLD	TPU	BLACK
1	RJ45 PLUG	POLYCARBONATE	CLEAR
1	OVERMOLD	TPU	BLACK
-	CABLE	TPU	TEAL

FUNCTIONAL SYMBOLS F=0 E=0 P=0	THIS DRAWING CONTAINS INFORMATION THAT IS PROPRIETARY TO MOLEX ELECTRONIC TECHNOLOGIES, LLC AND SHOULD NOT BE USED WITHOUT WRITTEN PERMISSION		CURRENT REV DESC: ADD TOL CHART AND PN TABLE		
	DIMENSION UNITS INCH/MM	SCALE NTS	<p>M12 TO RJ45 CORDSET 4P MALE M12/RJ45 ST #24-2TP TEAL PUR CAT5E</p>		
	GENERAL TOLERANCES (UNLESS SPECIFIED)				
	4 PLACES ±----	±----			
3 PLACES ±----	±0.005				
DIVISIONAL SYMBOLS	1 PLACE ±0.1	±0.02	EC NO: 633676	DRWN: CCHRASTKA	2020/03/09
0 PLACES ±----	±----	±----	CHK'D: ALEON01	2020/03/10	
ANGULAR TOL ± 0.5 °			APPR: BWOODMAN	2020/03/12	
DRAFT WHERE APPLICABLE MUST REMAIN WITHIN DIMENSIONS	THIRD ANGLE PROJECTION	DRAWING	SERIES	MATERIAL NUMBER	CUSTOMER
		B-SIZE	120108	SEE TABLE	GENERAL MARKET

A