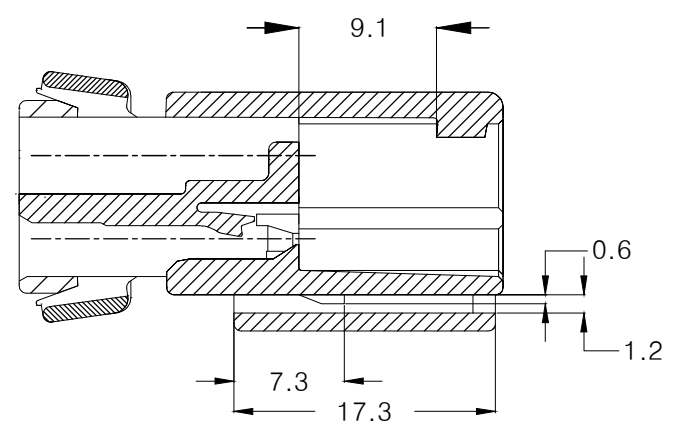
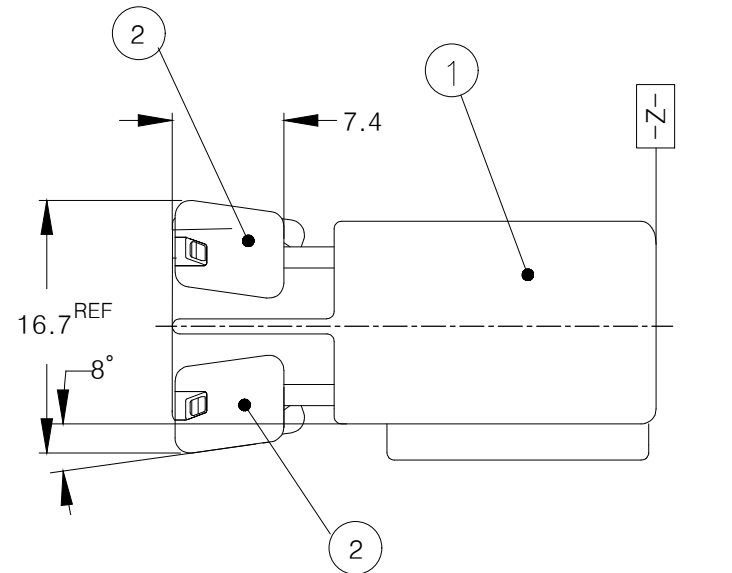
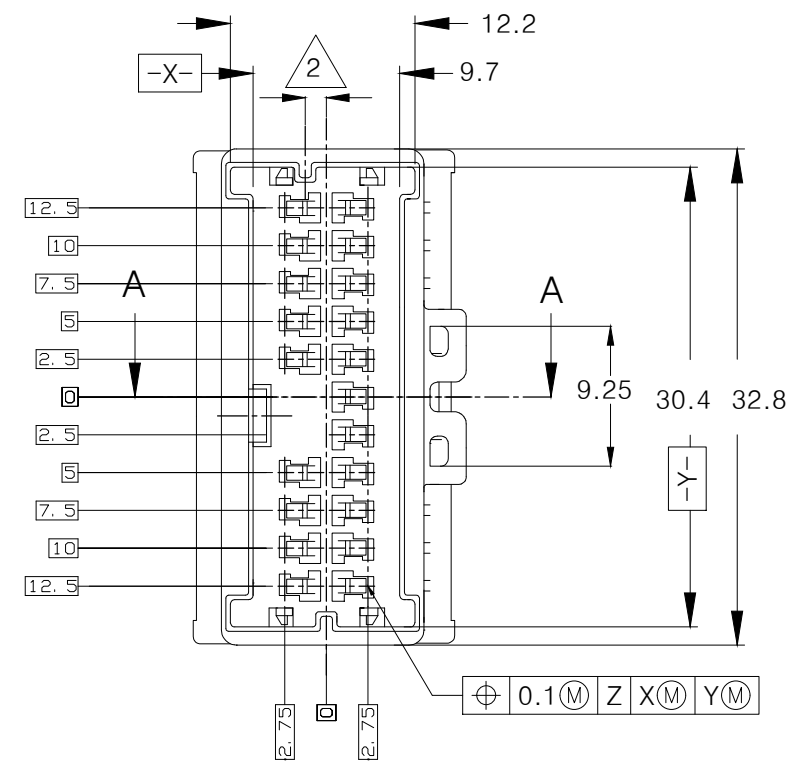
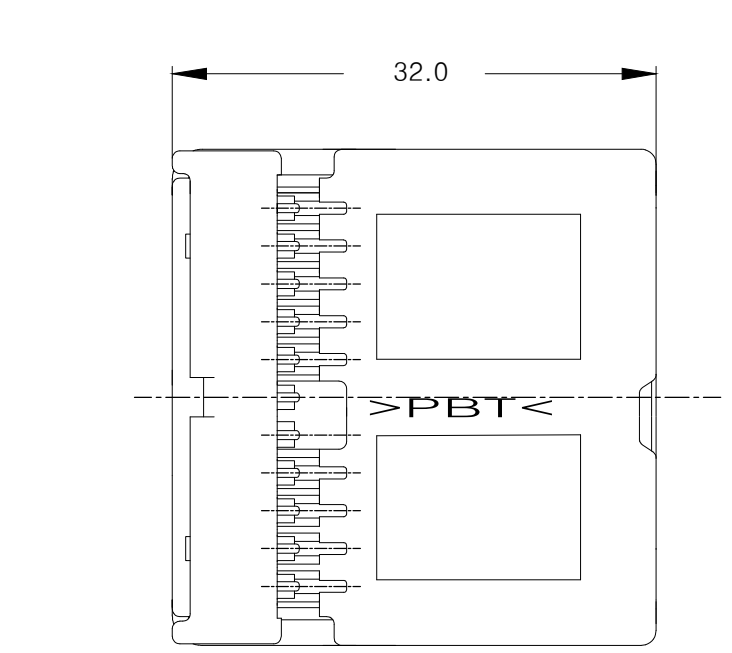
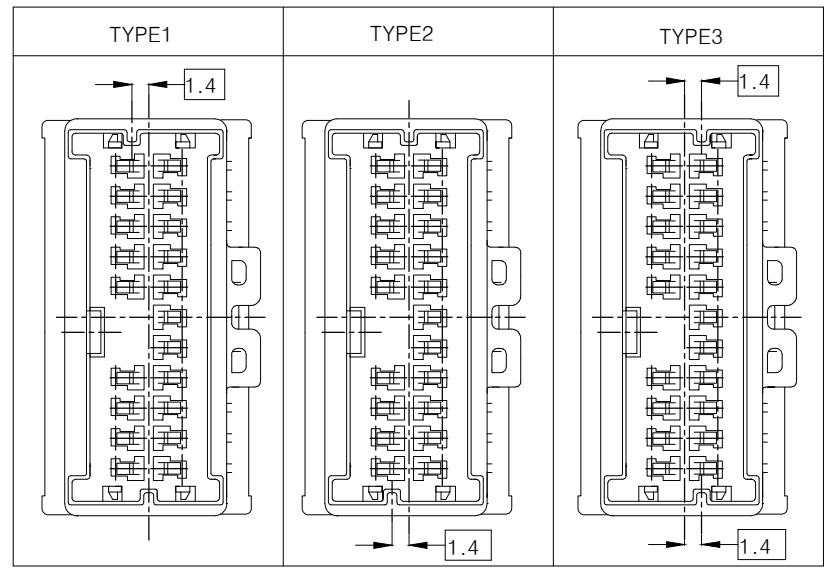


REVISIONS					
P	LTR	DESCRIPTION	DATE	DWN	APVD
	A2	REVISED ECR-20-006447	20JUL2020	VI	SPB



<KEY CODE>

SECTION A-A



TOLERANCES UNLESS OTHERWISE SPECIFIED:

0 <XX<10	± 0.2
10 <XX<30	± 0.25
30 <XX	± 0.3
ANGLES	± 3°

THIS DRAWING IS A CONTROLLED DOCUMENT.

DIMENSIONS:	TOLERANCES UNLESS OTHERWISE SPECIFIED:
mm	
	0 PLC ± -
	1 PLC ± -
	2 PLC ± -
	3 PLC ± -
	4 PLC ± -
ANGLES	± -
MATERIAL	FINISH
SEE TABLE	-

NOTES:

1. PLATE MUST BE COMPLETELY PRE-ASSEMBLED
2. KEY CODE : REFER TO THE TABLE
3. APPLICABLE CONTACT P/N: 353537-1, 353537-2
4. THE MATING P/N ; 936473

주 기

1. PLATE는 그림과 같이 1차 locking 상태로 공급되어짐.
2. KEY CODE : TABLE 참조
3. 적용 TML P/N: 353537-1, 353537-2
4. 상대 하우징 P/N ; 936473

(A1)

(A1)

OBSOLETE
OBSOLETE

ITEM NO	FINISH/COLOR	MATERIAL	DESCRIPTION	KEY CODE TYPE	ASS'Y P/N								
					936500-8	936500-7	936500-6	936500-5	936500-4	936500-3	936500-2	936500-1	
2	BLACK		20Pos.DBL LOCK PLATE	-	2	2	2	2	2	2	2	2	2
1	BLUE			1	1	-	-	-	-	-	-	-	-
	GREEN			1	-	1	-	-	-	-	-	-	-
	RED			1	-	-	1	-	-	-	-	-	-
	YELLOW			1	-	-	-	1	-	-	-	-	-
	BROWN			2 (A)	-	-	-	-	1	-	-	-	-
	GRAY			3 (A)	-	-	-	-	-	1	-	-	-
	BLACK			1	-	-	-	-	-	-	-	1	-
	NATURAL	PBT	20Pos. CAP HSG	1	-	-	-	-	-	-	-	-	1

STE TE Connectivity

20Pos. CAP HOUSING ASS'Y 040 III MLC CONN.

APVD: JK SONG

APVD: YM CHOI

APVD: SW NA

APVD: CHK

APVD: PRODUCT SPEC

APVD: APPLICATION SPEC

APVD: WEIGHT 0

APVD: CUSTOMER DRAWING

APVD: SCALE 1:1

APVD: SHEET 1 OF 1

APVD: REV A2

APVD: SIZE A3

APVD: CAGE CODE 00779

APVD: DRAWING NO C-936500

APVD: RESTRICTED TO