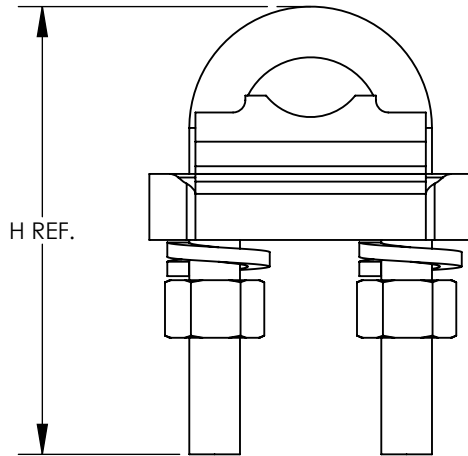
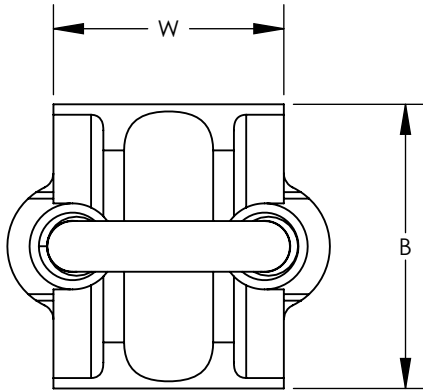


THIS COPY IS PROVIDED ON A RESTRICTED BASIS AND IS NOT TO BE USED IN ANY WAY DETRIMENTAL TO THE INTERESTS OF PANDUIT CORP.

NOTES:

1. MATERIAL:  
BODY: BRONZE (GUN METAL)  
NUT/WASHER: PHOS. BRONZE
2. PARTS ARE cULus LISTED TO UL467 AS  
GROUNDING & BONDING EQUIPMENT
3. RATED FOR DIRECT BURIAL
4. DIMENSIONS IN PARENTHESIS ARE MILLIMETERS.
5. PACKAGING QTY:  
X = 10



PART NUMBER	DESCRIPTION	WIRE RANGE	PIPE SIZE	ROD SIZE
GPC22/0-38-X	GROUND CLAMP CONNECTOR	4 SOL - 2/0 STR	3/8"	5/8" - 3/4"
GPC2250-38-X	GROUND CLAMP CONNECTOR	2/0 SOL - 250 kcmil	3/8"	5/8" - 3/4"

PART NUMBER	DIMENSIONS		
	B	W	H
GPC22/0-38-X	1.62 [41.1]	1.38 [34.9]	2.8 [71.1]
GPC2250-38-X	1.85 [47.0]	1.50 [38.1]	2.8 [71.1]

REV	DATE	BY	CHK	APR	DESCRIPTION	ECN
00	9/13	JHNU	SRBI	RGB	DRAWING RELEASED	13J051AB-JC

TITLE <b>GROUND CLAMP (GPC22/0-38-X, GPC2250-38-X) CUSTOMER DRAWING</b>	
ITEM REVISION NAME	13J051AB/00
DATASET FILE NAME	13J051AB-JC/00.SLDDRW
UNLESS OTHERWISE SPECIFIED, DIMENSIONAL TOLERANCES ARE: IN [mm] .X ± .XXX ± .XX ± .2 [5.2] ANGLES ±	
RGB THIRD ANGLE PROJECTION	
DRAWING NUMBER 13J051AB-JC	
DRAWN BY	JHNU
DATE	9/13
CHK	SRBI
SCALE	NONE
SHEET 1 OF 1	
SIZE	A



MATERIAL  
SEE NOTES