

HHS-7E

Hard Start



Specifications

AC Voltage

170-277

Temperature

-40 to +65 Celsius

Capacitance

130-156 µF

Frequency

50/60 Hz

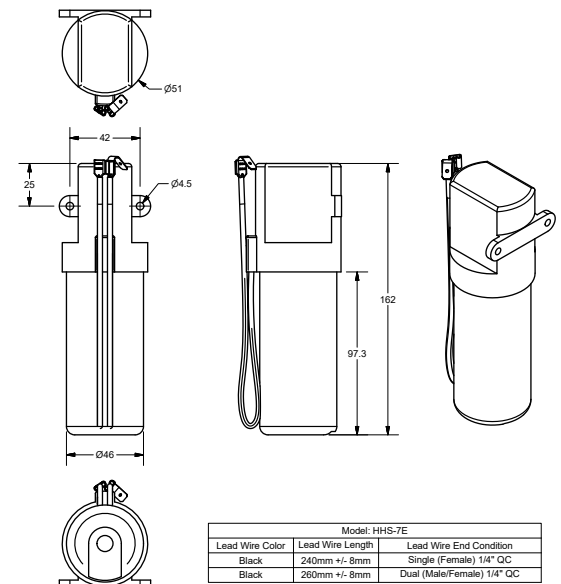
Applications

Hard starting compressor
Low voltage situation

Replacement Parts

Replacement Part Number	Manufacturer
SPP7E	Supco®
32708	MARS®

Dimensions in millimeters



Improve compressor efficiency with easy-to-install Hard Start kits from Hartland Controls. Hard Starts allow A/C units and heat pump compressors to start-up at maximum efficiency, so the unit can reach normal rated speed up to ten times faster.

Features

- Use on 1 to 4 HP HVAC Compressor or Refrigeration Unit
- Can be used on PSC and CSIR type compressors
- Electronic potential relay (EPR) and Capacitor
- 330 VAC Start Capacitor
- Easy 2-wire installation
- Backup electronic timing circuit to protect the compressor
- Voltage sensing
- Instant re-start
- UL® Recognized
- NATE® Recognized

We can custom engineer a solution to meet any need. Just ask.

815.626.5170 | HartlandControls.com