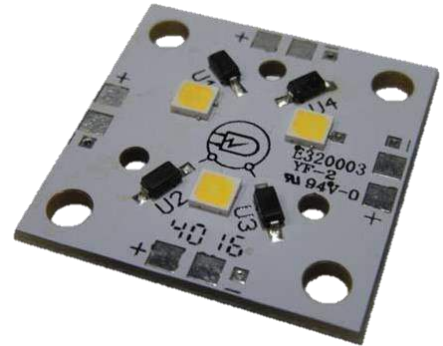


The DynaSquare G025 is a 12V_{DC} constant voltage LED light engine with an integrated onboard driver. The one square inch PCB is populated with Nichia 757 LEDs and can deliver up to 180 lumens. With four sets of available solder pads, multiple DynaSquares can be connected, mosaic style, to form a custom light engine array. Boasting PWM dimming plus a variety of attachable optics and it is clear to see that the DynaSquare offers illumination and versatility to meet countless applications and needs.

Features

- o Made in America design and quality
- o DC input power up to 15 V_{DC}
- o Three LEDs and four sets of power pads
- o Four standard mounting holes
- o Multiple beam sculpting optics available
- o Daisy-chain capable up to twenty units per run
- o Customization of specifications available



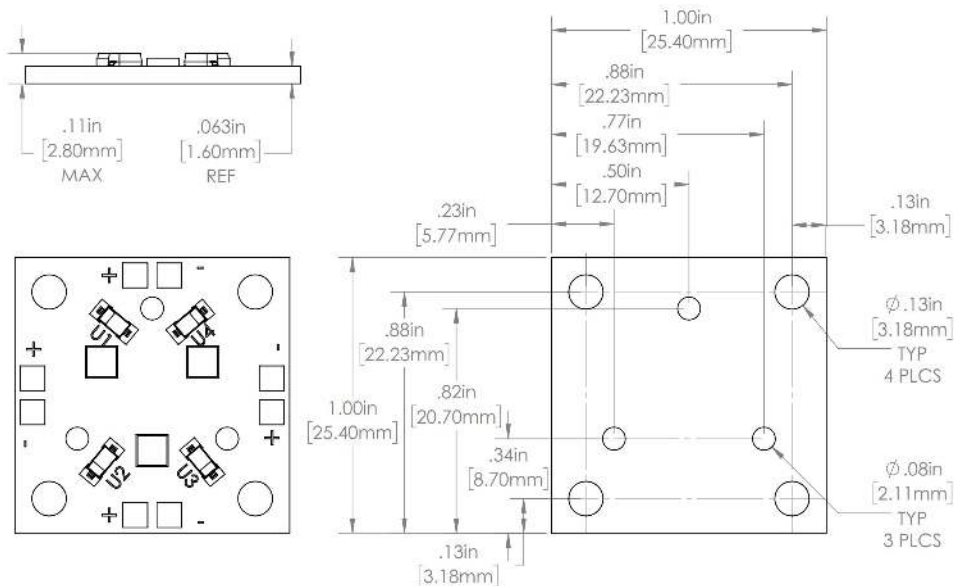
Specifications

Product		G025-XXXXXX-SO	G025-XXXXXX-HO
General	Shape:	Square	
	LED Count:	3	
	Field Cut:	No	
	Daisy Chain Limit:	30 Units	20 Units
	Lumens:	76 to 108 lm	130 to 184 lm
	Beam Angle:	150°	
	Optics:	16° 22° 26° 37° 43x16°	
	CCT:	2700K to 6500K & Horticulture	
	CRI:	80+ & 90+	
Colors:	Red, Green, Blue, & Yellow		
Electrical	Input Voltage:	11 min 12 V _{DC} (Typ) 15 max	
	Wattage:	0.72 W (Typ)	1.49 W (Typ)
	Power Consumption:	8.64 W / Ft	16.8 W / Ft
	Efficacy:	150 lm/W	127 lm/W
Control	Dimming:	Yes	
	Type:	PWM	
Environment	Operating Temp:	-40 to 100° C	
	Storage Temp:	-40 to 125° C	
Mechanical	Connection:	8 Solder Pads	
	Mounting Holes:	4	
	Dimension:	1.0 x 1.0 x 0.12 in (25.4 x 25.4 x 3.1mm)	
	Weight:	0.08 oz (2.1g)	
Regulatory	Compliance:	RoHS	
	Warranty:	1 Year	

* All specifications are subject to change without prior notification.

DynaSquare G025 12 Volt Constant Voltage Light Engine

Mechanical Drawings



Ordering Detail

Product	Manf	Family	CRI ¹	Color ²	Output
G025	Nichia	757	80+	27	Standard Output
			90+	30	High Output
				35	
				40	
				50	
				RED	
				GRN	
				BLU	
				H30	
				H50	

¹ CRI does not apply to Color LEDs; leave blank for RGB ² H30 and 50 Horticulture 3000K & 5000K

Example: G025-N75840-HO

Accessory Detail

Part Number	Description	LED Number	Full Width Viewing Angle
CO-10507	Narrow Spot	3	16°
CO-10511	Frosted Narrow		22°
CO-10508	Frosted Medium		26°
CO-10509	Frosted Wide		37°
CO-10510	Frosted Elliptical		16 x 43°