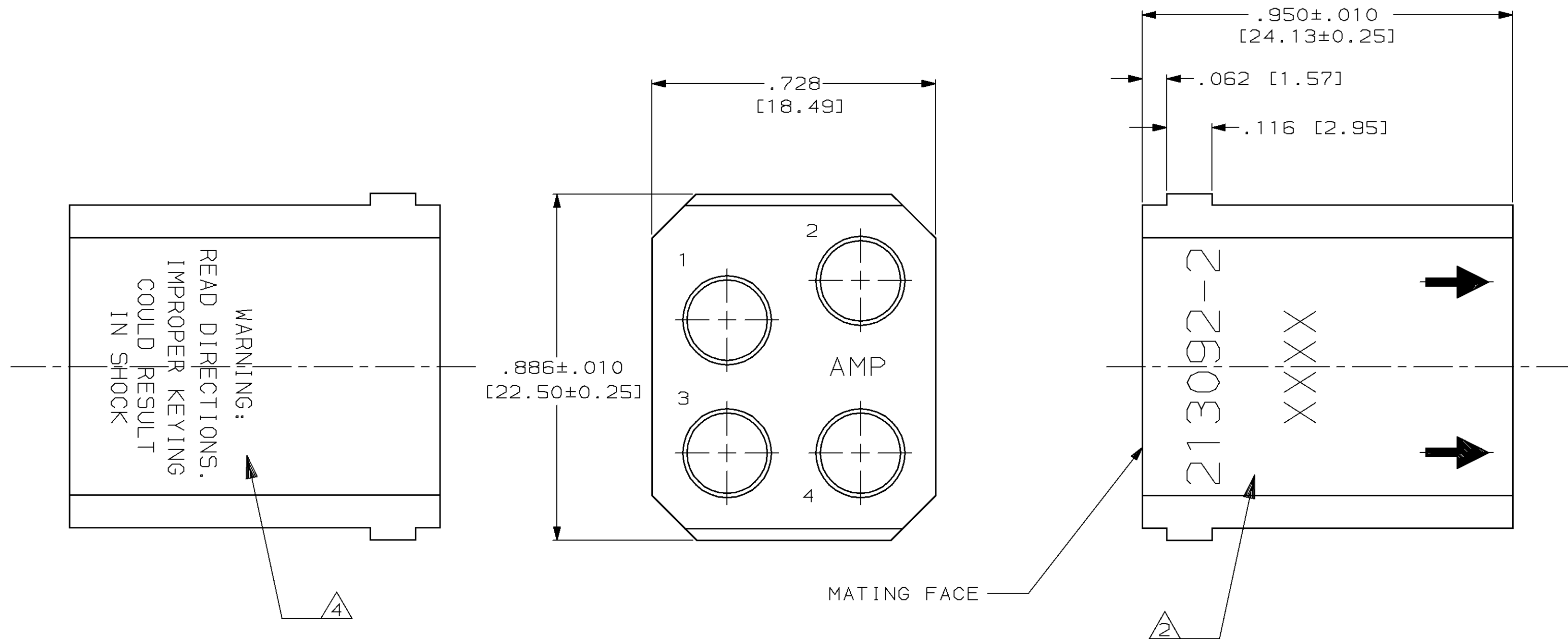


LOC	DIST	P	F	ZONE	LTR	DESCRIPTION	DATE	APPD
DF	BO				B	REV & REDRAWN DF-4297	PY 11-91	DBM
					C	REV PER 0600-4161-95 JB	08-30-95	DBM



- 1 MATERIAL: DIALLYL PHTHALATE PER MIL-M-14, TYPE SDG-F, COLOR-BLUE
- 2 AMP PART NO AND DATE CODE AND ARROWS MARKED WITH WHITE INK OR BY LASER MARKING AT APPROXIMATE AREA SHOWN
- 3. THIS MODULE ACCEPTS MINIATURE COAXICON AND TYPE I-SIZE 12 PIN CONTACTS
- 4 WARNING STATEMENT MARKED WITH WHITE INK AT APPROXIMATE AREA SHOWN.

AS SHOWN	213092-2
DESCRIPTION	PART NUMBER

DO NOT SCALE PRINT. UNLESS SPECIFIED DIMENSIONS IN INCHES [mm] TOLERANCES ON : 2 PLC DEC ± - 3 PLC DEC ± .005 ANGLES ± -	DR 7-16-91 P. YEAGER	AMP Incorporated Harrisburg, PA 17105-3608
	CHK 11-12-91 D.B. MUMMEY	
MATERIAL 1	APPD 11-12-91 D.B. MUMMEY	NAME
	APPD - PRODUCT SPEC -	MALE BLOCK 4 POSN, G SERIES
FINISH -	APPLICATION SPEC -	SIZE C CAGE CODE 00779 DRAWING NO 213092
	WEIGHT -	SCALE 4:1 SHEET 1 OF 1