

LED EP16-7W5020eG-2



Bulb Class: PAR16

Product Description

LED EP16-7W5020eG-2 delivers superior brightness, valuable energy savings, and long-lasting performance. This PAR16 LED bulb is ideal for ambient lighting or general-purpose applications due to its uniform *Warm White Light (2700K) and replaces conventional 50 Watt incandescent light bulbs. Look for EP16-7W5000eG-2 for Soft White (3000K), EP16-7W5040eG-2 for Bright White (4000K), and EP16-7W5050eG-2 for Cool White (5000K).



Estimated Energy Cost: \$0.84 per year

*Note: Design, features and specifications subject to change without notice. Some features may not be available on all models. Please visit www.eurilighting.com or call 1-310-787-1100 for more information.



Available only as a twin-pack.
(EP16-7W5020eG-2 contains 2 LED Bulbs.)

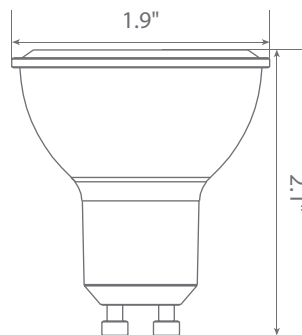
Specifications

Input Power	Input Voltage	Lumen Output	Beam Angle	Center Beam	CCT
7 W	120V	500 lm	40°	N/A	2700 K
CRI	Luminous Efficacy	Power Factor	Input Current	Base/Cap	Lamp Lifespan
80	100 lm/W	0.7	0.07 A	GU10	25,000 Hrs.

Product Features

- Dimmable
- Energy Efficient
- Damp Rated

Product Dimensions



Product Photometric Data

