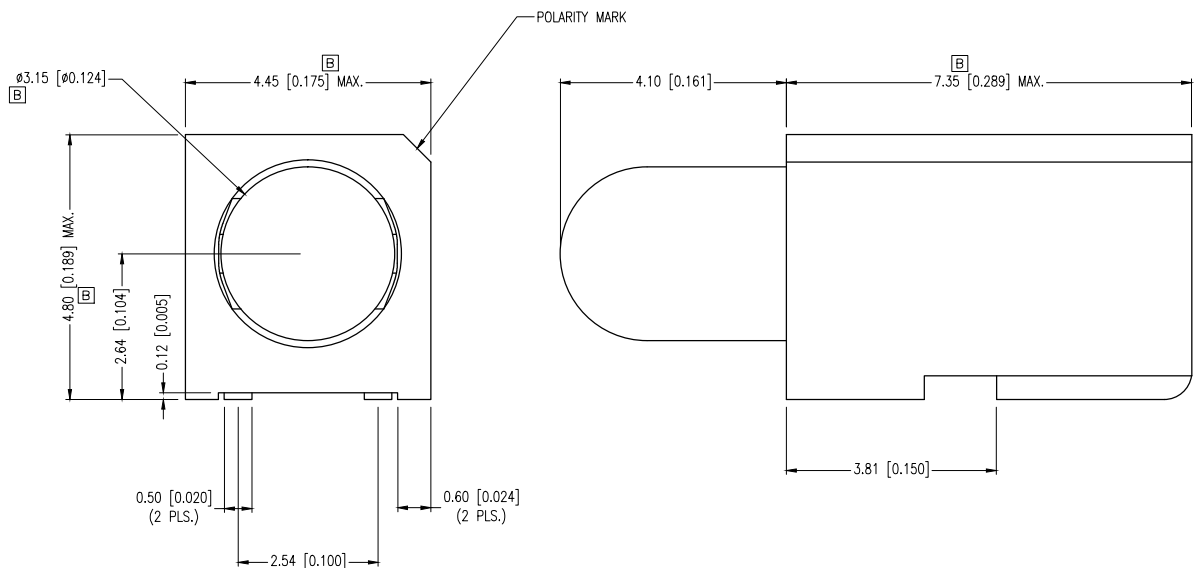


PART NUMBER	SSF-LXH306SGD-TR	REV.	B
DATE	E.C.N. NUMBER AND REVISION COMMENTS		REV.
10.01.07	E.C.N. #11447.		A
08.19.11	E.C.N. #11744/10BRDR. & REDRAWN.		B



ELECTRO-OPTICAL CHARACTERISTICS $T_A=25^{\circ}\text{C}$ $I_f=20\text{mA}$

PARAMETER	MIN	TYP	MAX	UNITS	TEST COND
PEAK WAVELENGTH		565		nm	
FORWARD VOLTAGE		2.2	2.6	V_f	
REVERSE VOLTAGE	5.0			V_r	$I_f=100\mu\text{A}$
AXIAL INTENSITY		80		mcd	$I_f=20\text{mA}$
VIEWING ANGLE		60		2x theta	
EMITTED COLOR:	GREEN				
EPOXY LENS FINISH:	GREEN DIFFUSED				

LIMITS OF SAFE OPERATION AT 25°C PER CHIP

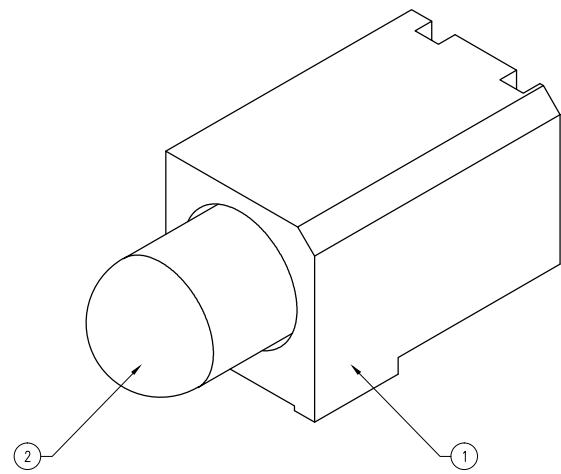
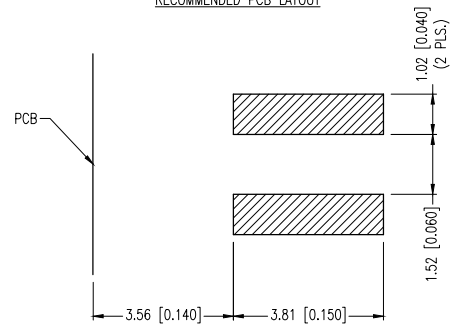
PARAMETER	MAX	UNITS
PEAK FORWARD CURRENT*	150	mA
STEADY CURRENT	25	mA
POWER DISSIPATION	105	mW
DERATE FROM 25°C	-1.6	mW/°C
OPERATING TEMP.	-40 TO +85	°C
STORAGE TEMP.	-40 TO +85	°C
SOLDERING TEMP.	+230	°C
2.0mm FROM BODY	3	SEC. MAX.

* $t < 10\mu\text{s}$

NOTES:

- SSH-LXH306 HOLDER, BLACK NYLON.
- SSL-LX308F4SGD LED.
- LXP-CARRIER24-56.
- 1,000 PCS. PER REEL.

RECOMMENDED PCB LAYOUT



*UNLESS OTHERWISE SPECIFIED TOLERANCES PER DECIMAL PRECISION ARE: X=±1 (±0.039), X.X=±0.5 (±0.020), X.XX=±0.25 (±0.010), X.XXX=±0.127 (±0.005). LEAD SIZE=±0.05 (±0.002), LEAD LENGTH=±0.75 (±0.030). MIN= ^{+DECIMAL PRECISION} MAX= ^{+0.00} _{-0.00} ^{-DECIMAL PRECISION}

LUMEX
 425 N GARY AVE
 CAROL STREAM, IL 60188
 PHONE: 630-315-2150
 FAX: 630-315-2151
 WEB: WWW.LUMEX.COM

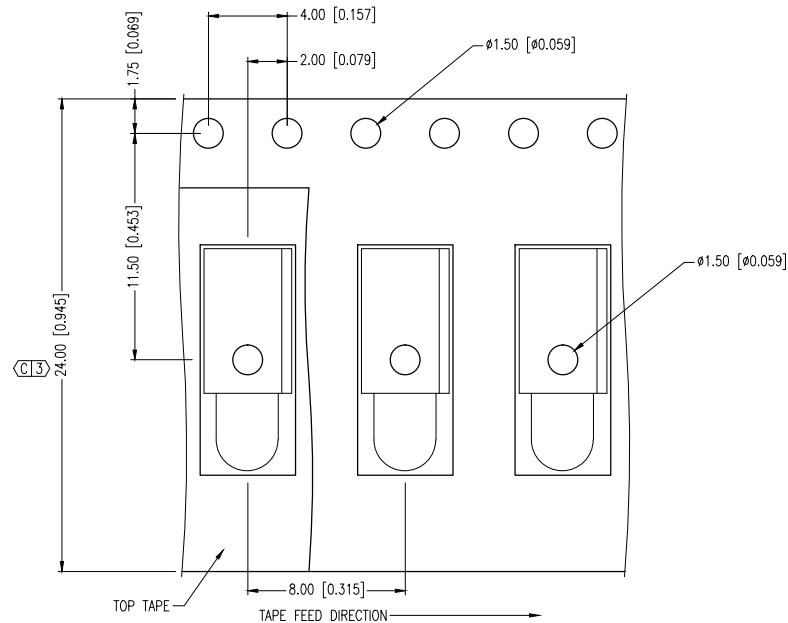
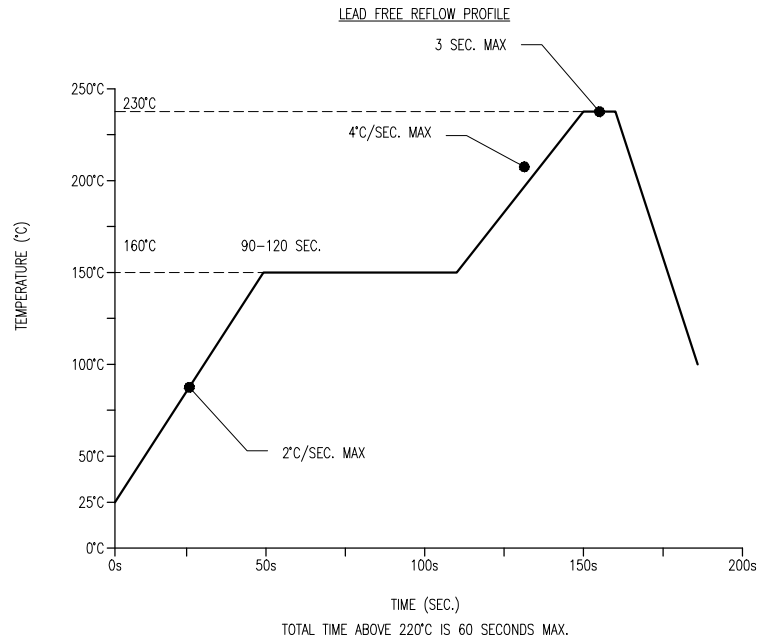
T-3mm LED, RIGHT ANGLE SURFACE MOUNT, 565nm SUPER GREEN, GREEN DIFFUSED.

THE SPECIFICATIONS MAY CHANGE AT ANY TIME WITHOUT NOTICE DUE TO NEW MATERIALS OR PRODUCT IMPROVEMENT.

CONFIDENTIAL INFORMATION
 THE INFORMATION CONTAINED IN THIS DOCUMENT IS THE PROPERTY OF LUMEX INC. EXCEPT AS SPECIFICALLY AUTHORIZED IN WRITING BY LUMEX INC., THE HOLDER OF THIS DOCUMENT SHALL KEEP ALL INFORMATION CONTAINED HEREIN CONFIDENTIAL AND SHALL PROTECT SAME IN WHOLE OR IN PART FROM DISCLOSURE AND DISSEMINATION TO ALL THIRD PARTIES.

DATE: 08.19.11	DRAWN BY: AB
PAGE: 1 OF 2	CHKD BY: --
SCALE: NTS	APRVD BY: --
UNIT: mm [INCH]	(P)

PART NUMBER	SSF-LXH306SGD-TR	REV.	B
DATE	E.C.N. NUMBER AND REVISION COMMENTS		REV.
10.01.07	E.C.N. #11447.		A
08.19.11	E.C.N. #11744/10BRDR. & REDRAWN.		B



*UNLESS OTHERWISE SPECIFIED TOLERANCES PER DECIMAL PRECISION ARE: X=±1 (±0.039), X.X=±0.5 (±0.020), X.XX=±0.25 (±0.010), X.XXX=±0.127 (±0.005). LEAD SIZE=±0.05 (±0.002), LEAD LENGTH=±0.75 (±0.030). MIN= ^{+DECIMAL PRECISION} -0.00 ^{-DECIMAL PRECISION}

425 N GARY AVE
 CAROL STREAM, IL 60188
 PHONE: 630-315-2150
 FAX: 630-315-2151
 WEB: WWW.LUMEX.COM

T-3mm LED, RIGHT ANGLE SURFACE MOUNT, 565nm SUPER GREEN, GREEN DIFFUSED.

THE SPECIFICATIONS MAY CHANGE AT ANY TIME WITHOUT NOTICE DUE TO NEW MATERIALS OR PRODUCT IMPROVEMENT.

CONFIDENTIAL INFORMATION

THE INFORMATION CONTAINED IN THIS DOCUMENT IS THE PROPERTY OF LUMEX INC. EXCEPT AS SPECIFICALLY AUTHORIZED IN WRITING BY LUMEX INC., THE HOLDER OF THIS DOCUMENT SHALL KEEP ALL INFORMATION CONTAINED HEREIN CONFIDENTIAL AND SHALL PROTECT SAME IN WHOLE OR IN PART FROM DISCLOSURE AND DISSEMINATION TO ALL THIRD PARTIES.

DATE: 08.19.11	DRAWN BY: AB
PAGE: 2 OF 2	CHKD BY: --
SCALE: NTS	APRVD BY: --
UNIT: mm [INCH]	(P)