

**EM9126 Series**  
**EuroMag Terminal Blocks**  
 6.35 Centers; Modular

**SPECIFICATIONS**

**Rating:** 30A, 300V

**Center Spacing:** 0.250" (6.35mm)

**Wire Range:** #10-24 AWG

**Housing Material:** UL rated 94V0 Thermoplastic

**Contact Material:** Brass Tin-Plated

**Cage Material:** Brass, Nickel-Plated

**Screw Size:** M3.0 Zinc-Plated Steel

**Operating Temperature:** 105°C (221°F) max., -40°C (-40°F) min.

**Torque Rating:** 5.5 lb-in.

**Recommended PCB Hole Diameters:** 0.071" (1.80mm)

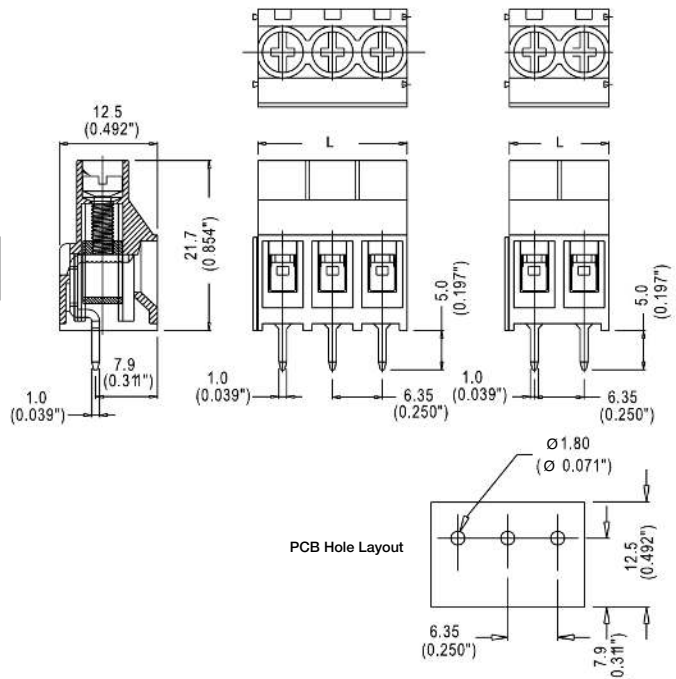
**Construction:** Modular design features dovetails for interlocking to achieve longer lengths

**Agency Information:** File E62622; CE Certified



EM912605

**Dimensions - mm (in)**



Poles	L (mm)	Poles	L (mm)
2	12.70	14	88.90
3	19.05	15	95.25
4	25.40	16	101.60
5	31.75	17	107.95
6	38.10	18	114.30
7	44.45	19	120.65
8	50.80	20	127.00
9	57.15	21	133.35
10	63.50	22	139.70
11	69.85	23	146.05
12	76.20	24	152.40
13	82.55		

To convert to inches, divide by 25.4

**Part Numbering System**

Series

# of Poles

**EM9126**

02 to 24

Terminal Blocks:  
Single Row

EuroMag Series  
High Current

Edge Connectors,  
One-Sided Boards

Compliance  
References