

PLUG		RECEPTACLE	
ORDER NO	ENG NO	ORDER NO	ENG NO
03-09-2057	2629-P1	03-09-1057	2629-R1
PRELIMINARY	2629-P	PRELIMINARY	2629-R
		03-09-1054	2629-R2

LEGEND:

2629-****-*

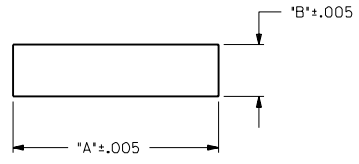
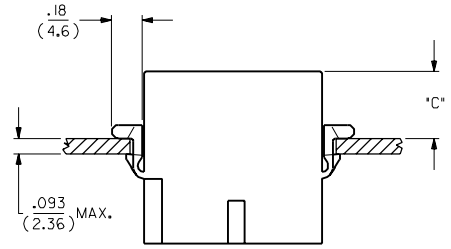
TYPE: _____
 P = PLUG
 R = RECEPTACLE

PLUG FEATURES: _____
 BLANK = WITH PREBENT EARS
 I = WITHOUT EARS

RECEPTACLE FEATURES: _____
 BLANK = WITH PREBENT EARS, WITH POSITIVE LOCK RAMP
 1 = WITHOUT EARS, WITH POSITIVE LOCK RAMP
 2 = WITHOUT EARS, WITH PASSIVE LOCK RAMP

COLOR: _____
 BLANK = NATURAL COLOR
 AM = AMBER BK = BLACK BU = BLUE
 BN = BROWN CY = GRAY GN = GREEN
 OR = ORANGE RD = RED YW = YELLOW

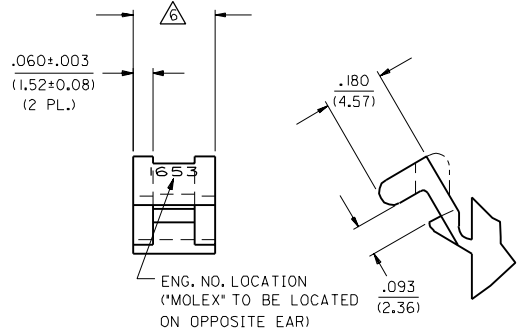
MATERIAL: _____
 BLANK = NYLON TYPE 66, 94V-2 PER SMES-128-A-*



RECOMMENDED PANEL OPENING

HOUSING	DIM. 'A'	DIM. 'B'	'C' PREBENT EAR
PLUG	1.33/(3.78)	.42/(10.67)	.40/(10.1)
RECEPT.	1.23/(31.24)	.31/(7.87)	.42/(10.6)

- NOTES:
- MOLEX PRODUCT SPEC 02-09 APPLIES.
 - 2629-P* (PLUG) WILL ACCEPT 2629-R* 5 CIRCUIT RECEPTACLES OR 1490-R* 4 CIRCUIT RECEPTACLE.
 - ACCEPTS MOLEX .093 SERIES TERMINALS.
 - CIRCUIT I.D. NUMBERS ON HOUSING APPEAR ON PARTS FROM TOOLS BUILT AFTER 1/6/92.
 - LOCK RAMP ON THIS SIDE OF PART AVAILABLE IN EITHER A POSITIVE LOCK RAMP OR PASSIVE LOCK RAMP STYLE.
 - FOR DIMENSION, SEE SHEET 1.



DETAIL A
 .093/(2.36) PREBENT MOUNTING EAR
 (SCALE 4:1)

DIMENSIONS SHOWN METRIC (INCH)		UNLESS OTHERWISE SPECIFIED TOLERANCES: ANGULAR ± .040°		REVISIONS ONLY ON CAD SYSTEM	
INCH		METRIC		TITLE	
3 PLACE	± .010	---	± 0.25	.093/(2.36) HOUSINGS	
2 PLACE	± .014	---	± 0.35	PLUG & RECEPTACLE	
1 PLACE	---	---	---	5 CIRCUIT .198/(5.03)C	
DRAFT WHERE APPLICABLE MUST REMAIN WITHIN DIMENSIONS		PART NO. MOLEX INCORPORATED		SHEET NO. 2	
DRAWN BY: KBW		CHKD. BY: RW		DATE: 2/3/89	
APP'D. BY: RAS		SCALE: 2:1		U.S.A.	
LTR. REVISIONS		LTR. REVISIONS		SEE CHART	
				SD-2629-*	