

MATERIAL (INSULATOR / CONTACT)
(SEE MATERIAL TABLE)

PLATING
ALL PLATINGS HAVE .000050" MIN NICKEL UNDERPLATE

CONTACT SURFACE TERMINATION

B = .000010" GOLD .000100" PURE TIN, MATTE
C = .000030" GOLD .000100" PURE TIN, MATTE
G = .000010" GOLD .000005" GOLD
E = .000100" PURE TIN, MATTE OVERALL
S = .000010" GOLD OVERALL
M = .000030" GOLD .000010" GOLD OVERALL

LETTER CODE	INSULATOR / CONTACT	OPERATING TEMP.	PROCESSING TEMP.	MODIFICATION NUMBER
P	BLACK PBT / PHOSPHOR BRONZE	-65°C TO +125°C	WAVE/MANUAL SOLDERING	OMIT
G	BLACK PA9T / PHOSPHOR BRONZE	-65°C TO +150°C	260°C MAX FOR 10 SECS	OMIT
L	WHITE PA9T / PHOSPHOR BRONZE	-65°C TO +150°C	260°C MAX FOR 10 SECS	OMIT
*A	GREEN PPS / BERYLLIUM COPPER	-65°C TO +200°C	260°C MAX FOR 20 SECS	OMIT
*A	BROWN PPS / BERYLLIUM COPPER	-65°C TO +200°C	260°C MAX FOR 20 SECS	M500
*Y	TAN PEEK / BERYLLIUM COPPER	-65°C TO +250°C	260°C MAX FOR 20 SECS	OMIT

* AVAILABLE WITH OVERALL GOLD PLATING ('M') ONLY

PART NUMBER CODING

C **D** **N - M**

MODIFICATION
OMIT = STANDARD, EXAMPLE: 'AMC36DAAN'
M500 = BROWN PPS (MATERIAL CODE 'A' ON

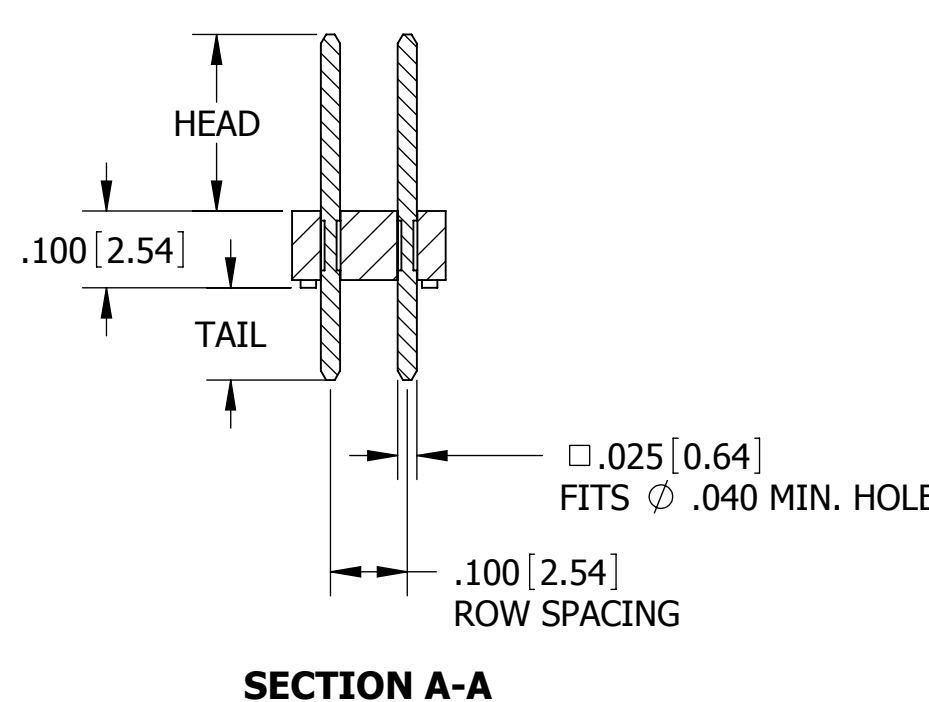
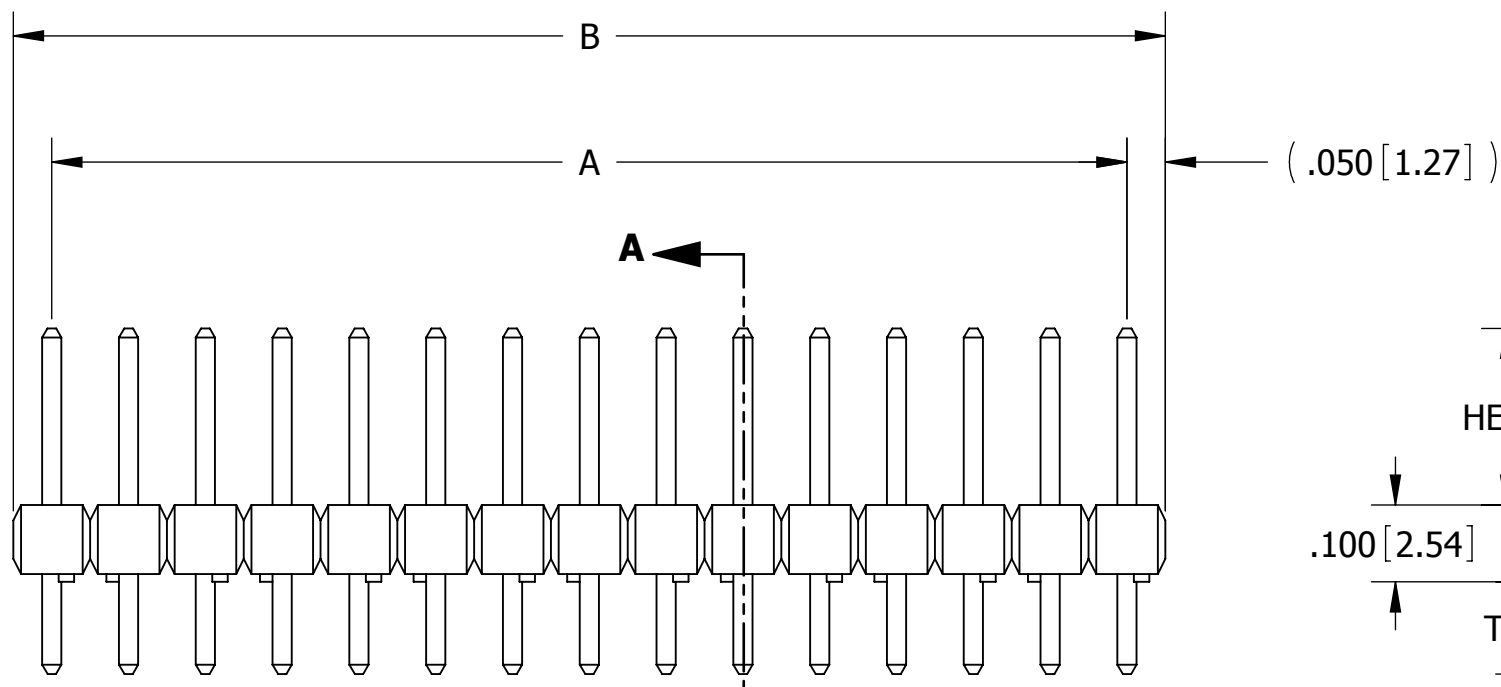
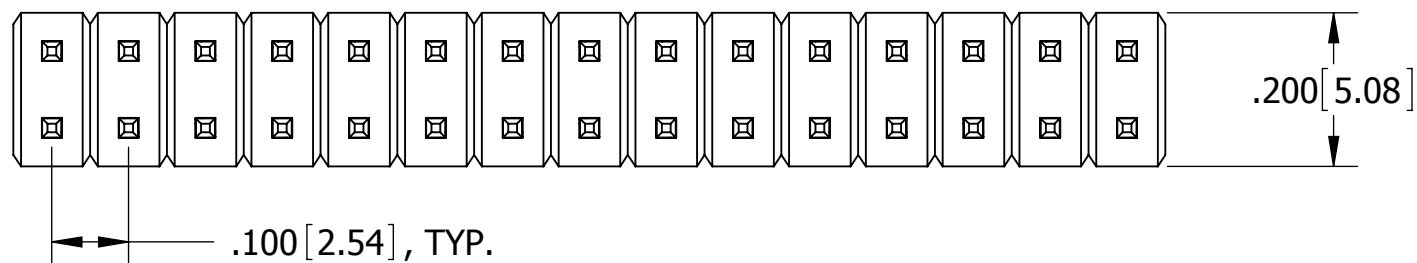
TERMINATION TYPE

NUMBER OF POSITIONS PER ROW
(01 THRU 36)

REVISIONS				
REV.	ECO. NO	DESCRIPTION	DATE	BY
C	1062	UPDATE DWG. AND TABLES, MOVED RA TERMINATION TO PAGE 2	06/19/2006	HT
D	1062	UPDATE DWG.	3/15/2007	SB
E	2078	UPDATE TEMPERATURE TO 150°C FOR 'G' MTL, CORRECT NOTE 6 & 7, ADD NEW TERMINATION TYPE AI, AJ, AK, FF, FG, FH, FI, FJ, ZB, ZI, ZJ, ZO, ZQ, ZR, COMBINED 'P' MTL IN P/N CODING (DWG 10726, 10167 OBSOLETE)	11/12/2009	JH
F	2442	UPDATE PROCESSING TIME FOR 'G' MTL, VOLTAGE RATING, REMOVE MOISTURE NOTE, PROCESSING TEMP FOR 'P' MTL	9/8/2011	JH
G	2743	ADD PLATING OPTIONS, UPDATE BODY SHAPE, ADD HIGH TEMP MATERIALS	1/24/2014	JHSU

TERMINATION TYPE			A		B	
STRAIGHT			INCH	MM	INCH	MM
CODE	HEAD DIMENSION ±.008 [0.20]	TAIL DIMENSION ±.010 [0.25]	±.008	±0.20	±.020	±0.51
			AA	.230[5.84]	.120[3.05]	
AB	.230[5.84]	.230[5.84]				
AC	.230[5.84]	.320[8.13]				
AD	.230[5.84]	.420[10.67]				
AE	.230[5.84]	.520[13.21]				
AF	.230[5.84]	.620[15.75]				
AG	.230[5.84]	.720[18.29]				
AH	.230[5.84]	.820[20.83]				
AI	.230[5.84]	.900[22.86]				
AJ	.230[5.84]	1.000[25.40]				
AK	.230[5.84]	.035[0.89]				
FA	.318[8.08]	.120[3.05]				
FB	.318[8.08]	.220[5.59]				
FC	.318[8.08]	.320[8.13]				
FD	.318[8.08]	.420[10.67]				
FE	.318[8.08]	.520[13.21]				
FF	.318[8.08]	.620[15.75]				
FG	.318[8.08]	.710[18.03]				
FH	.318[8.08]	.810[20.57]				
FI	.318[8.08]	.910[23.11]				
FJ	.318[8.08]	.050[1.27]				
ZA	.120[3.05]	.120[3.05]				
ZB	.120[3.05]	.095[2.41]				
ZC	.120[3.05]	.260[6.60]				
ZD	.120[3.05]	.610[15.49]				
ZI	.520[13.21]	.110[2.79]				
ZJ	.720[18.29]	.110[2.79]				
ZO	.820[20.83]	.110[2.79]				
ZQ	1.020[25.91]	.110[2.79]				
ZR	1.220[30.99]	.110[2.79]				

PART NUMBER	A		B	
	INCH	MM	INCH	MM
__C01D__N	0.000	0.00	0.100	2.54
__C02D__N	0.100	2.54	0.200	5.08
__C03D__N	0.200	5.08	0.300	7.62
__C04D__N	0.300	7.62	0.400	10.16
__C05D__N	0.400	10.16	0.500	12.70
__C06D__N	0.500	12.70	0.600	15.24
__C07D__N	0.600	15.24	0.700	17.78
__C08D__N	0.700	17.78	0.800	20.32
__C09D__N	0.800	20.32	0.900	22.86
__C10D__N	0.900	22.86	1.000	25.40
__C11D__N	1.000	25.40	1.100	27.94
__C12D__N	1.100	27.94	1.200	30.48
__C13D__N	1.200	30.48	1.300	33.02
__C14D__N	1.300	33.02	1.400	35.56
__C15D__N	1.400	35.56	1.500	38.10
__C16D__N	1.500	38.10	1.600	40.64
__C17D__N	1.600	40.64	1.700	43.18
__C18D__N	1.700	43.18	1.800	45.72
__C19D__N	1.800	45.72	1.900	48.26
__C20D__N	1.900	48.26	2.000	50.80
__C21D__N	2.000	50.80	2.100	53.34
__C22D__N	2.100	53.34	2.200	55.88
__C23D__N	2.200	55.88	2.300	58.42
__C24D__N	2.300	58.42	2.400	60.96
__C25D__N	2.400	60.96	2.500	63.50
__C26D__N	2.500	63.50	2.600	66.04
__C27D__N	2.600	66.04	2.700	68.58
__C28D__N	2.700	68.58	2.800	71.12
__C29D__N	2.800	71.12	2.900	73.66
__C30D__N	2.900	73.66	3.000	76.20
__C31D__N	3.000	76.20	3.100	78.74
__C32D__N	3.100	78.74	3.200	81.28
__C33D__N	3.200	81.28	3.300	83.82
__C34D__N	3.300	83.82	3.400	86.36
__C35D__N	3.400	86.36	3.500	88.90
__C36D__N	3.500	88.90	3.600	91.44



__C__D__N
__C__D__N-M500
STRAIGHT

- NOTES:**
- INSULATOR MATERIAL: SEE PART NUMBER CODING
 - CONTACT MATERIAL: SEE PART NUMBER CODING
 - PLATING: SEE PART NUMBER CODING
 - UL FLAMMABILITY RATING: 94V-0
 - DIELECTRIC WITHSTANDING VOLTAGE: 1800 VAC
 - CURRENT RATING: 3 AMPS
 - CONTACT RESISTANCE: 30 MILLIOHMS MAX.
 - INSULATION RESISTANCE: 5000 MEGOHMS MIN.



CUSTOMER COPY

UNLESS OTHERWISE SPECIFIED: DIMENSIONS ARE IN INCHES [MM]		DRAWN	DATE	NAME	
			9/8/2011	JH	
TOLERANCES: ANGULAR: ± 1° DECIMALS .XX = ± .02 [0.5] .XXX = ± .005 [0.13] .XXXX = ± .0005 [0.013]					TITLE
					.100" MALE HEADER, STRAIGHT
					PART NUMBER
					__C__D__N - (M500)
SIZE	CAGE CODE	DWG. NO.	REV		
C	54453	C10419	G		
SCALE: 4:1					SHEET 1 OF 1