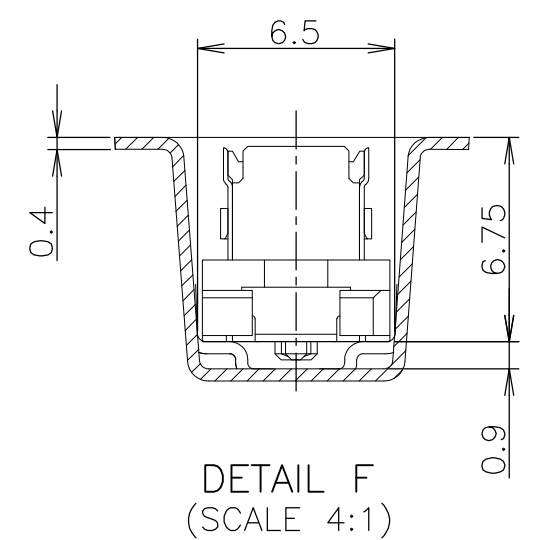
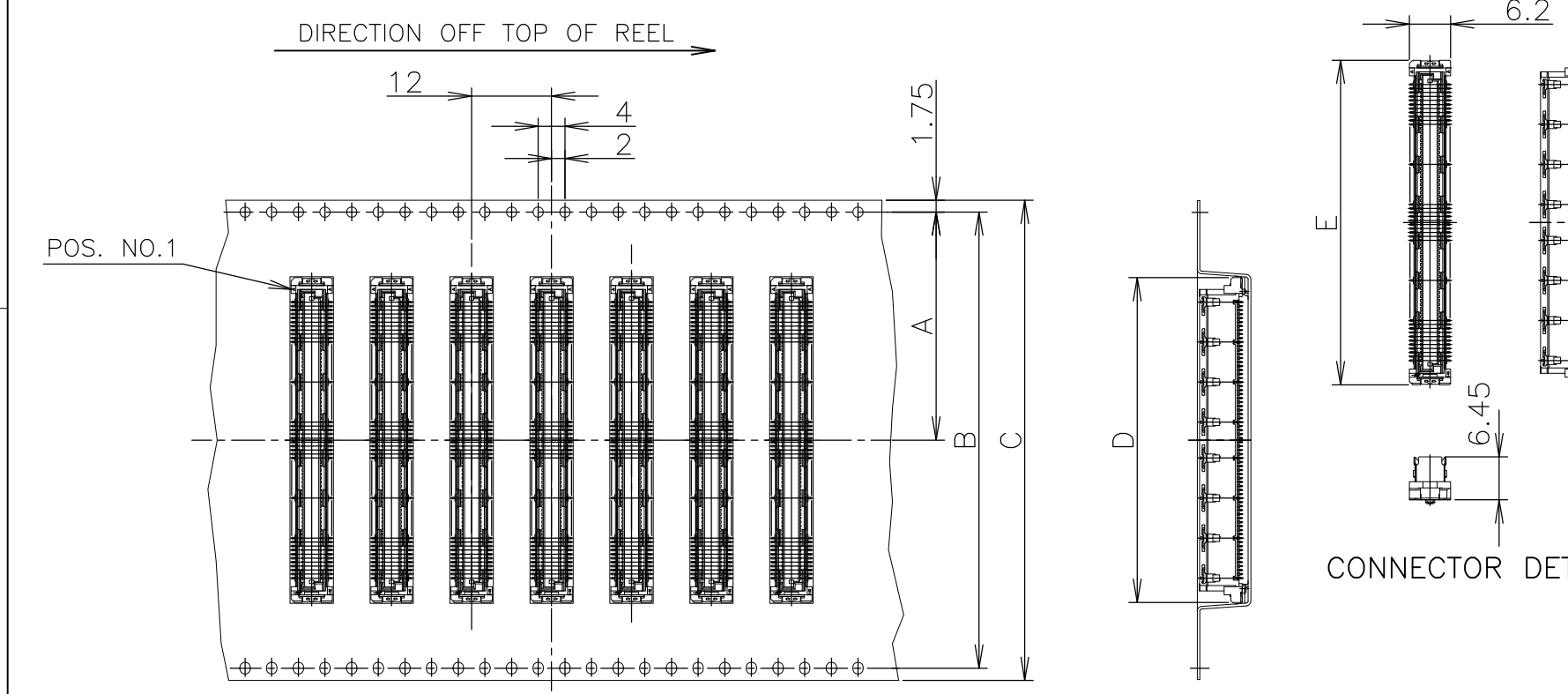
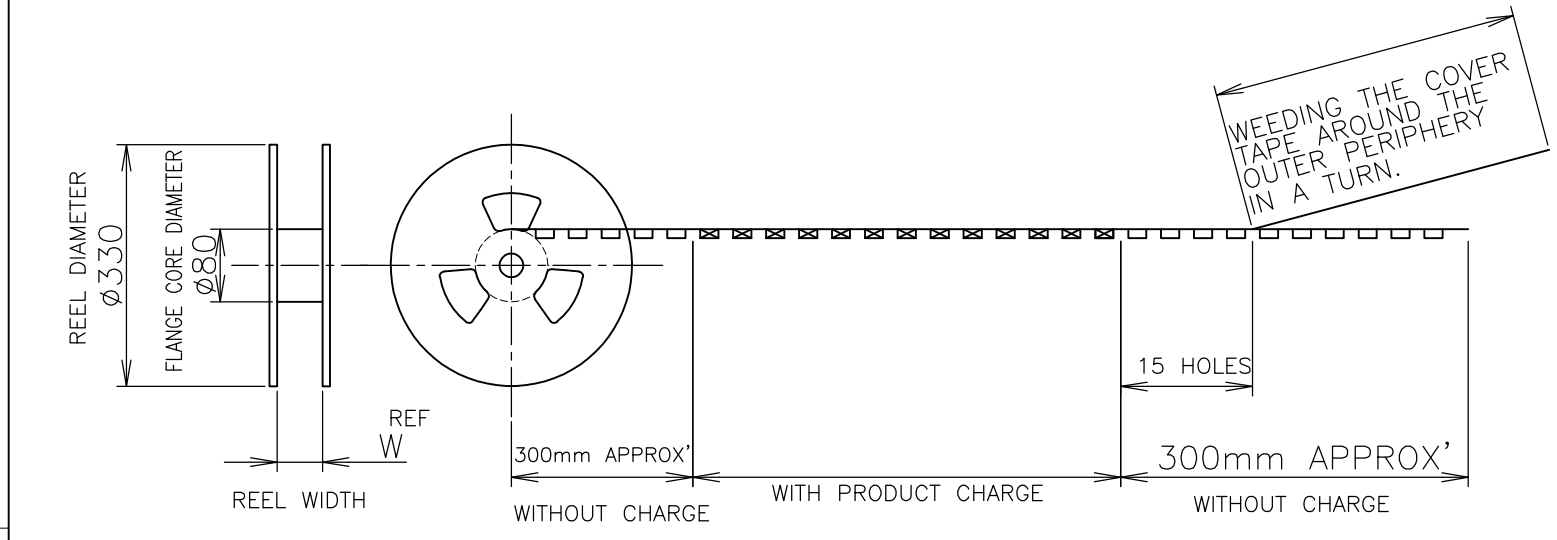
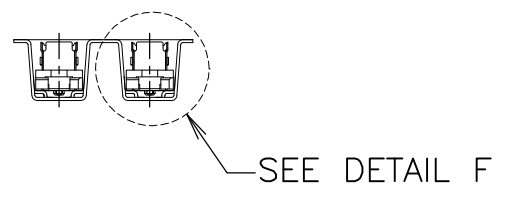


THIS DRAWING IS UNPUBLISHED. RELEASED FOR PUBLICATION FEB ,1997.
 © COPYRIGHT 1997 By - ALL RIGHTS RESERVED.

LOC	DIST	REVISIONS					
J		P	LTR	DESCRIPTION	DATE	DWN	APVD
			C	REVISED ECR-12-004537	21MAR2012	I.T	S.Y



CONNECTOR DETAIL



SEALANT	TOOLING STATUS	QTY.	W	E	D	C	B	A	POS.	PART NO.
NOT AVAILABLE		700	77.5	54.7	55	72	68.4	34.2	160	6-5353831-1
			77.5	48.7	49	72	68.4	34.2	140	6- -0
			61.5	42.7	43	56	52.4	26.2	120	5- -9
			61.5	36.7	37	56	52.4	26.2	100	5- -8
			61.5	33.7	34	56	52.4	26.2	90	5- -7
			49.5	27.7	28	44	40.4	20.2	70	5- -5
			49.5	24.7	25	44	40.4	20.2	60	5- -4
			37.5	21.7	22	32	28.4	14.2	50	5- -3
			37.5	18.7	19	32	28.4	14.2	40	5- -2
NOT AVAILABLE		700	29.5	15.7	16	24	11.5		30	5-5353831-1
NON SEALANT			77.5	54.7	55	72	68.4	34.2	160	1-5353831-1
			77.5	48.7	49	72	68.4	34.2	140	1- -0
			61.5	42.7	43	56	52.4	26.2	120	-9
	AVAILABLE		61.5	36.7	37	56	52.4	26.2	100	-8
	NOT AVAILABLE		61.5	33.7	34	56	52.4	26.2	90	-7
	NOT AVAILABLE		49.5	27.7	28	44	40.4	20.2	70	-5
			49.5	24.7	25	44	40.4	20.2	60	-4
			37.5	21.7	22	32	28.4	14.2	50	-3
			37.5	18.7	19	32	28.4	14.2	40	-2
NOT AVAILABLE		700	29.5	15.7	16	24	11.5		30	5353831-1

5 THIS PRODUCT WAS COATED BY FLUX-PENETRATION INHIBITING AGENT.

GENERAL TOLERANCE
一般公差

10 ≥	±0.2
30 ≥	>10: ±0.25
100 ≥	>30: ±0.3
ANGLES: ±3°	

THIS DRAWING IS A CONTROLLED DOCUMENT.

DIMENSIONS: 单位: 耗 mm

TOLERANCES UNLESS OTHERWISE SPECIFIED: 一般公差

0 PLC	± -
1 PLC	± -
2 PLC	± -
3 PLC	± -
4 PLC	± -
ANGLES	± -

FINISH 仕上

MATERIAL 材料

DWN HAWKING HE 08DEC04

CHK STEVEN YAO 08DEC04

APVD I.ENOMOTO 08DEC04

NAME 名称

PRODUCT SPEC 製品規格

108-60047

APPLICATION SPEC 取付適用規格

114-5255

WEIGHT

CUSTOMER DRAWING

SCALE 尺度 1:1

SHEET 1 OF 3

REV C

RESTRICTED TO

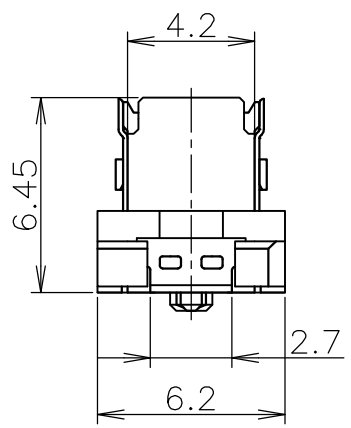
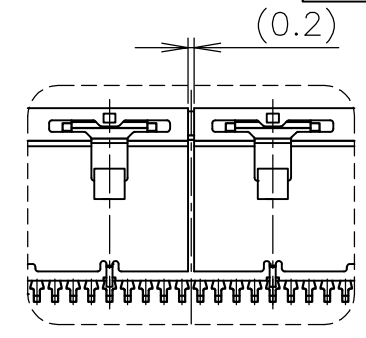
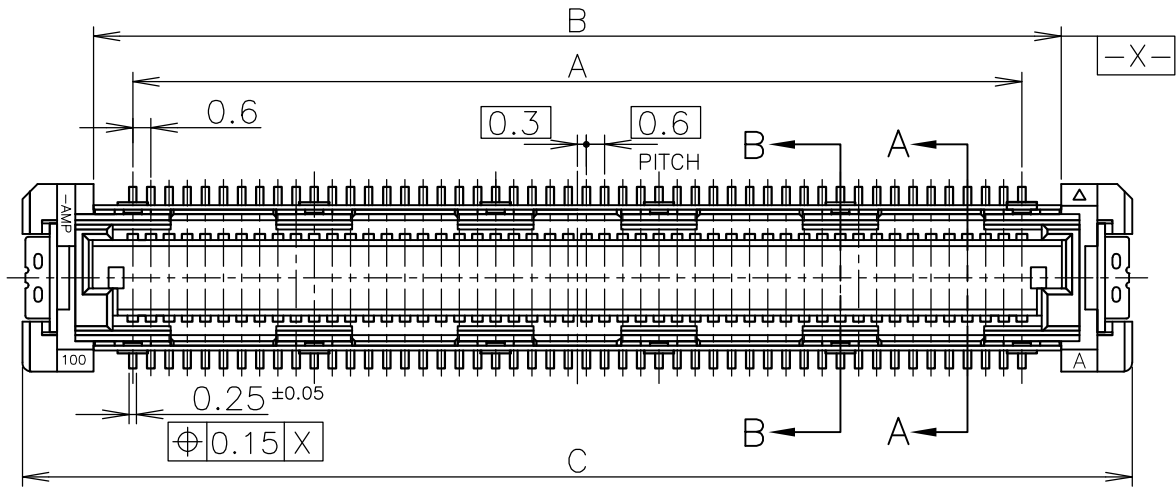


EMBOSS ASSY
FH 0.6BTB CONNECTOR
PLUG 7H WITH G-PLATE

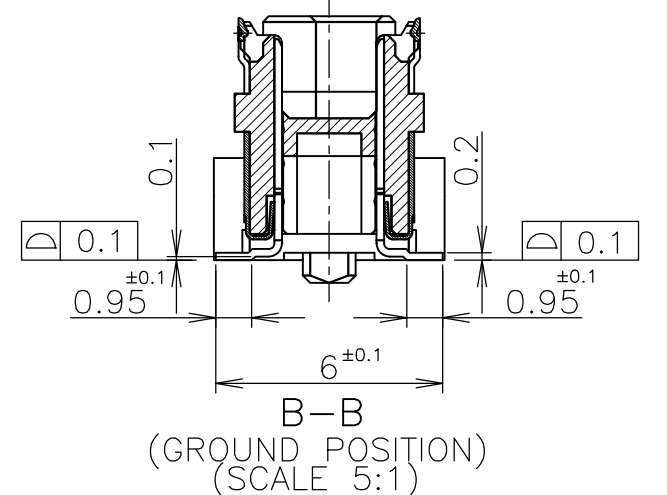
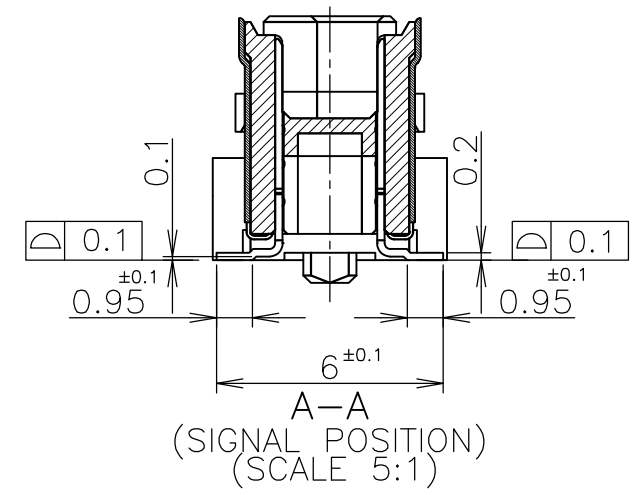
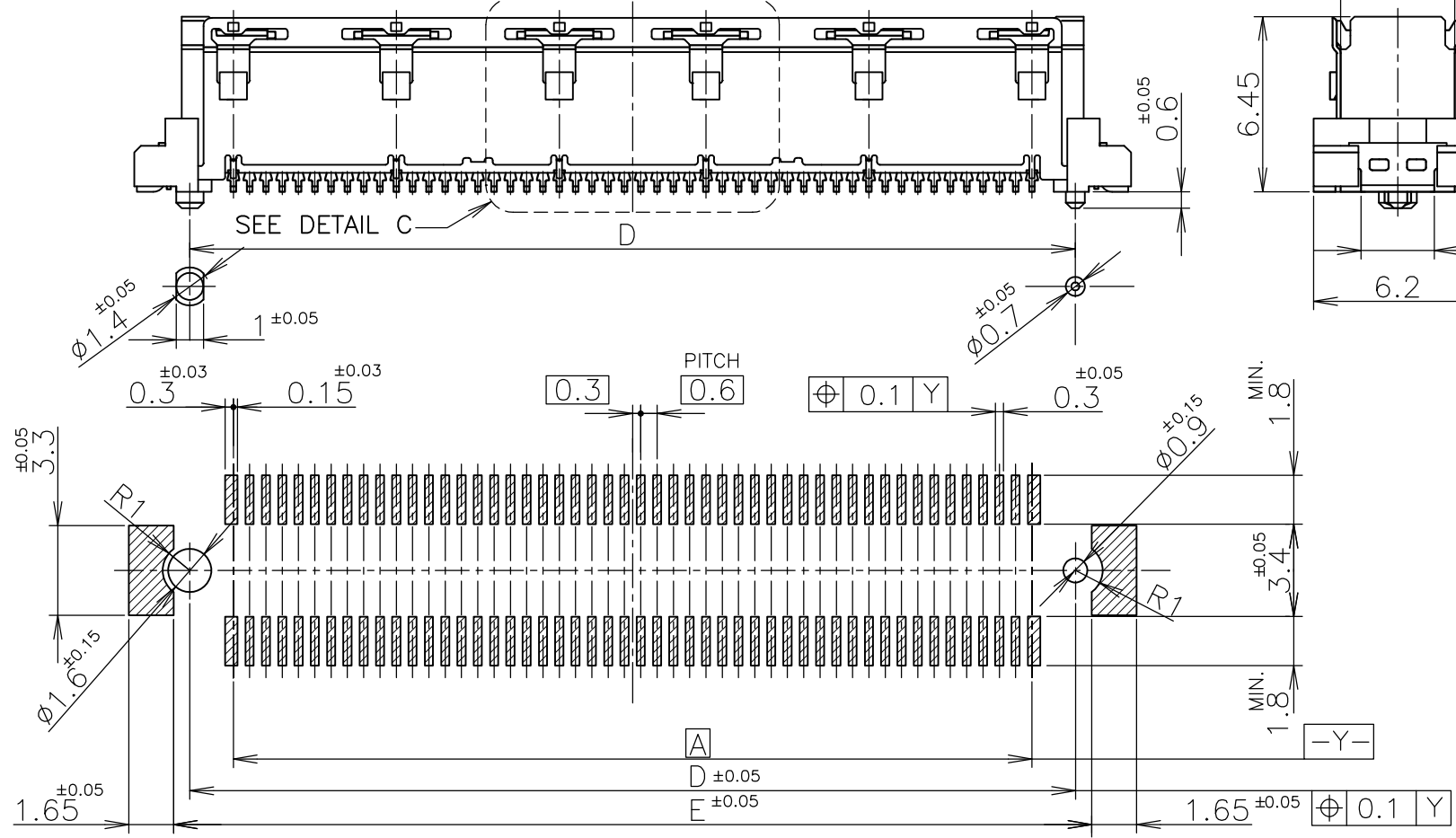
SIZE	CAGE CODE	DRAWING NO	番号
A3	00779	G-5353831	

THIS DRAWING IS UNPUBLISHED. RELEASED FOR PUBLICATION FEB, 1997.
 © COPYRIGHT 1997 By - ALL RIGHTS RESERVED.

LOC		DIST		REVISIONS			DATE	DWN	APVD
J				變更					
P	LTR	DESCRIPTION							
	-	SEE SHEET 1							



- ① MATERIAL ; HOUSING : HIGH TEMP THERMO PLASTIC UL94V-0
CONTACT : COPPER ALLOY
- ② FINISH ; UNDER PL Ni 0.0013mm MIN ALL OVER.
CONTACT AREA 0.0002 MIN Au PL.
SOLDERING AREA 0.001 MIN TIN PL.
- ③ THIS POSITION IS GROUND CIRCUIT.
- ④ THIS POSITION ITEM IS SECIAL.(FOR CUSTUM MADE)



REFERENCE P.C.BOARD LAYOUT

NOT AVAILABLE	75.8	74.6	78.7	74	71.4	240	④
NOT AVAILABLE	51.8	50.6	54.7	50	47.4	160	
NOT AVAILABLE	45.8	44.6	48.7	44	41.4	140	
NOT AVAILABLE	39.8	38.6	42.7	38	35.4	120	
AVAILABLE	33.8	32.6	36.7	32	29.4	100	
NOT AVAILABLE	30.8	29.6	33.7	29	26.4	90	
NOT AVAILABLE	24.8	23.6	27.7	23	20.4	70	
	21.8	20.6	24.7	20	17.4	60	
	19.8	17.6	21.7	17	14.4	50	
	15.8	14.6	18.7	14	11.4	40	
NOT AVAILABLE	12.8	11.6	15.7	11	8.4	30	
TOOLING STATUS	E	D	C	B	A	POS	

GENERAL TOLERANCE
 一般公差
 10 ≥ ±0.2
 30 ≥ >10: ±0.25
 100 ≥ >30: ±0.3
 ANGLES: ±3°

THIS DRAWING IS A CONTROLLED DOCUMENT.		DWN		TE Connectivity	
DIMENSIONS: 單位: 耗 mm		CHK			
TOLERANCES UNLESS OTHERWISE SPECIFIED: 一般公差		APVD		NAME 名稱	
0 PLC ±- 1 PLC ±- 2 PLC ±- 3 PLC ±- 4 PLC ±- ANGLES ±-		PRODUCT SPEC 製品規格		EMBOSS ASSY	
MATERIAL 材料		APPLICATION SPEC 取付適用規格		FH 0.6BTB CONNECTOR	
FINISH 仕上		WEIGHT		PLUG 7H WITH G-PLATE	
①		②		SIZE	RESTRICTED TO
		CUSTOMER DRAWING		A3 00779	
		SCALE 尺度 4:1		DRAWING NO 番号 G-5353831	
		SHEET 2 OF 3		REV C	

THIS DRAWING IS UNPUBLISHED.

RELEASED FOR PUBLICATION FEB , 1997.

ALL RIGHTS RESERVED.

© COPYRIGHT 1997 By -

LOC	DIST
J	

P	LTR	DESCRIPTION
	-	SEE SHEET 1

REVISIONS

変更

DATE

DWN

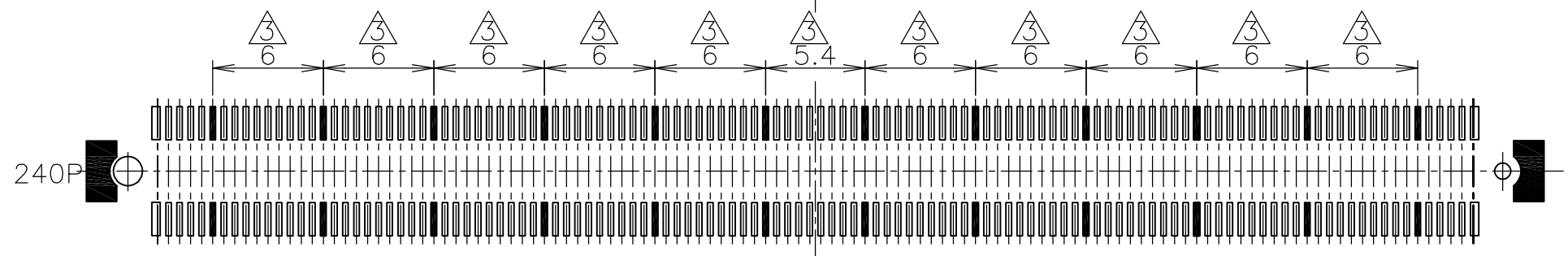
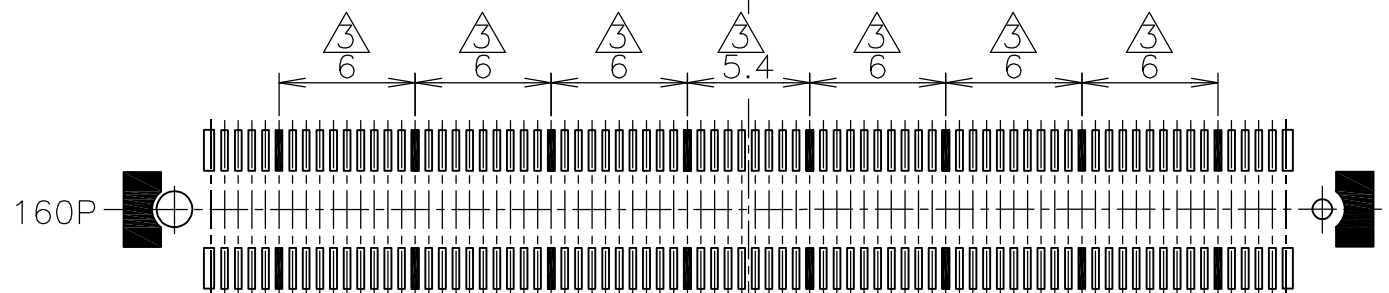
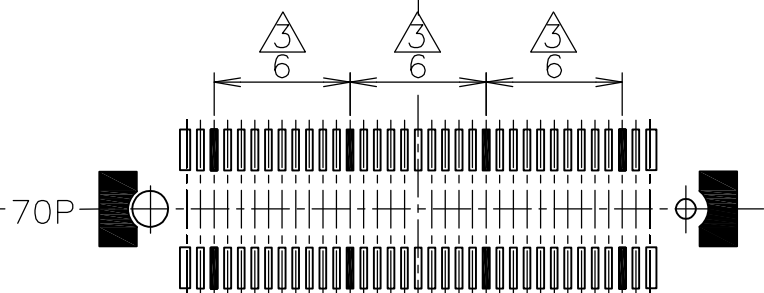
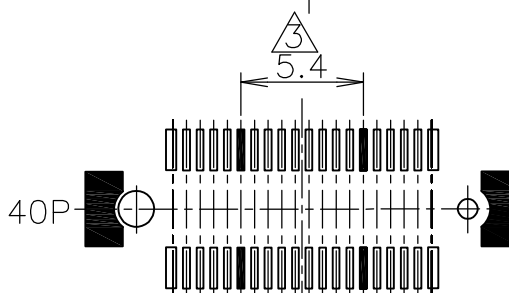
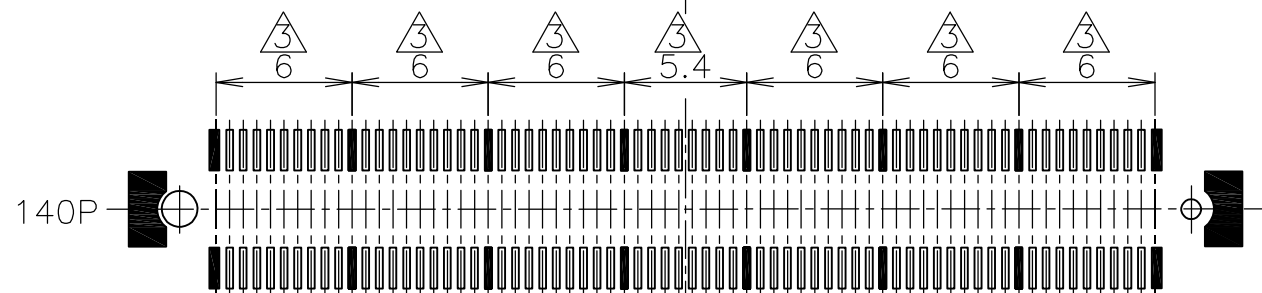
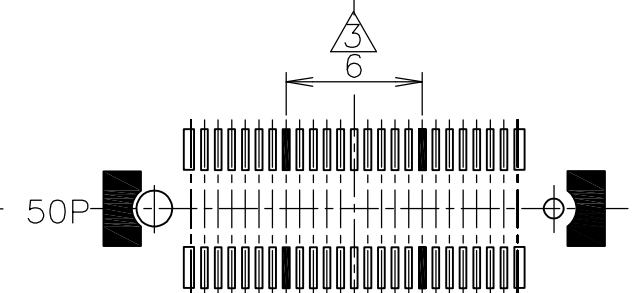
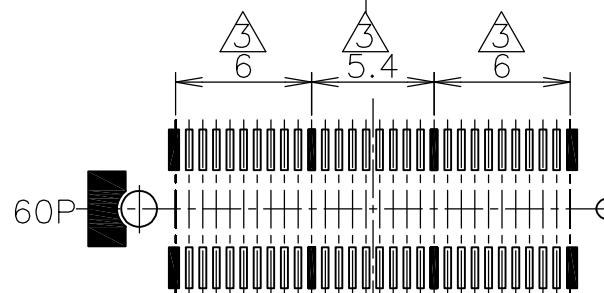
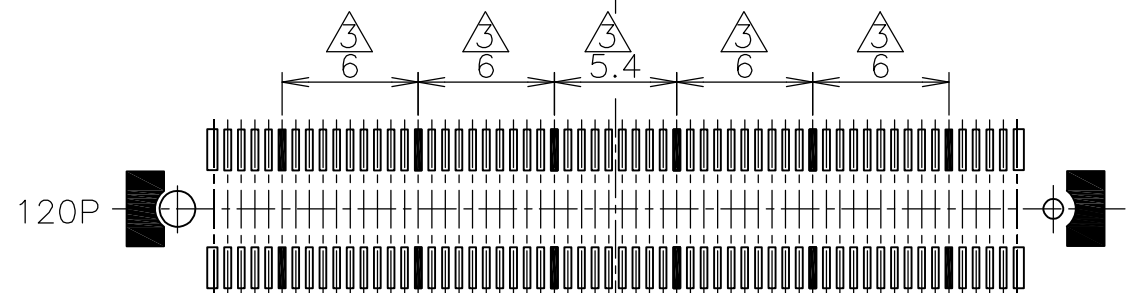
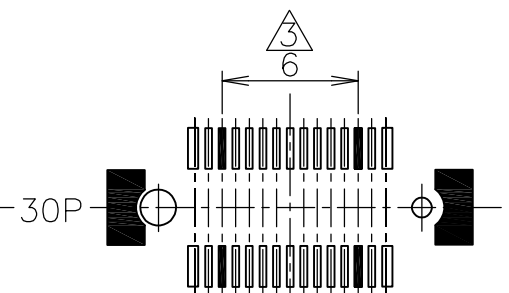
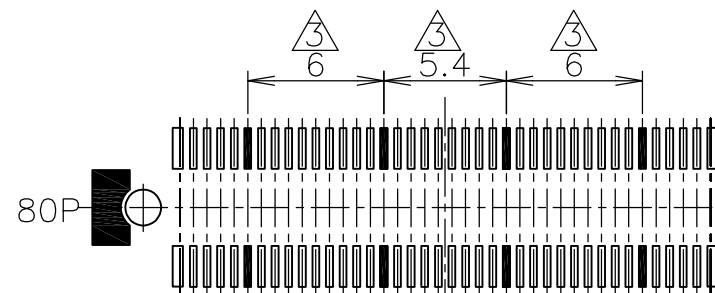
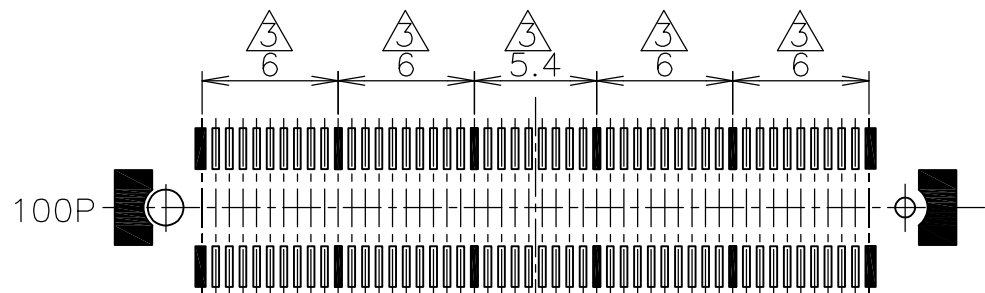
APVD

DATE

-

-

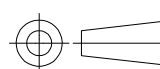
-



THIS DRAWING IS A CONTROLLED DOCUMENT.

DIMENSIONS: 单位: 耗 mm

TOLERANCES UNLESS OTHERWISE SPECIFIED: 一般公差



- 0 PLC ± -
- 1 PLC ± -
- 2 PLC ± -
- 3 PLC ± -
- 4 PLC ± -
- ANGLES ± -
- FINISH 仕上 2

MATERIAL 材料



GENERAL TOLERANCE 一般公差

10 ≥ : ±0.2

30 ≥ >10: ±0.25

100 ≥ >30: ±0.3

ANGLES: ±3°

DWN

CHK

APVD

PRODUCT SPEC 製品規格

APPLICATION SPEC 取付適用規格

WEIGHT

CUSTOMER DRAWING



NAME 名称

EMBOSS ASSY

FH 0.6BTB CONNECTOR

PLUG 7H WITH G-PLATE

SIZE	CAGE CODE	DRAWING NO 番号	RESTRICTED TO
A3	00779	G-5353831	

SCALE 尺度 3:1

SHEET 3 OF 3

REV C