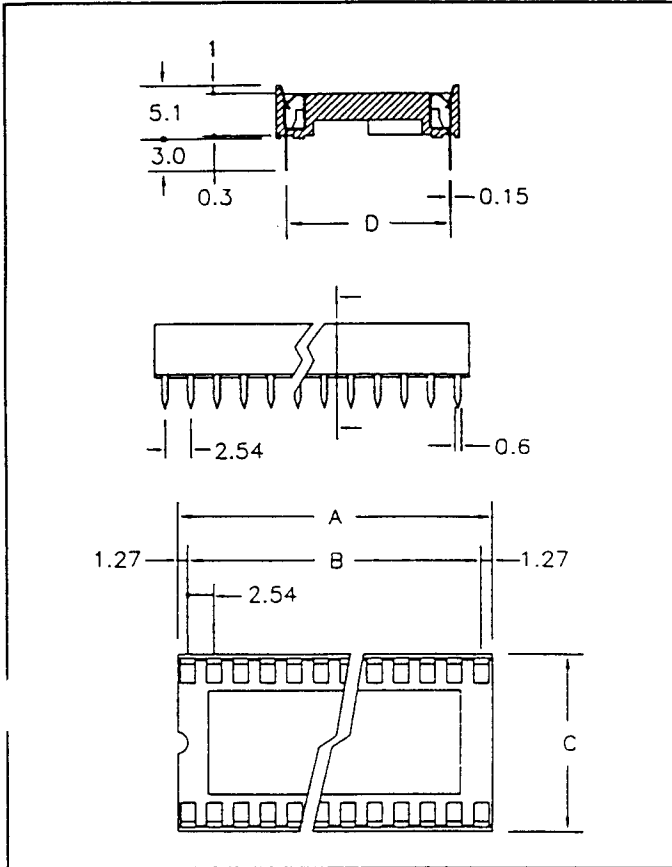


# IC SOCKET STAMPED DUAL WIPE



## FEATURES AND OPTIONS

- Available in sizes 6 through 64
- Skinny dip versions available on 24 and 28 pin sockets
- Closed bottom style for anti-wicking
- Tin plated contacts
- Straight or retention leg option available

## SPECIFICATIONS

### MATERIALS

Contact: Phosphor Bronze  
Insulator: PBT & 30% Glass Fiber (UL 94V-O)

### ELECTRICAL

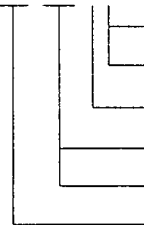
Current rating: 1A  
Voltage: AC 500V for 1 minute  
Operating temperature range: -55°C to +150°C  
Contact resistance: 30mΩmax, at DC 100mA  
Insulator resistance: 1000MΩmin. at DC 500V

## DIMENSIONS

# of Pins	A	B	C	D
6	7.62/.3	7.62/.3	10.16/.4	7.62/.3
8	10.16/.4	7.62/.3	10.16/.4	7.62/.3
14	17.78/.7	15.24/.6	10.16/.4	7.62/.3
16	20.32/.8	17.78/.7	10.16/.4	7.62/.3
18	22.86/.9	20.32/.8	10.16/.4	7.62/.3
20	25.40/1.0	22.86/.9	10.16/.4	7.62/.3
22	27.94/1.1	25.40/1.0	10.16/.4	7.62/.3
24	30.48/1.2	27.94/1.1	10.16/.4	7.62/.3
24	30.48/1.2	27.94/1.1	17.78/.7	15.24/.6
28	35.56/1.4	33.02/1.3	10.16/.4	7.62/.3
28	35.56/1.4	33.02/1.3	17.78/.7	15.24/.6
32	40.54/1.6	38.10/1.5	17.78/.7	15.24/.6
40	50.80/2.0	48.26/1.9	17.78/.7	15.24/.6
48	60.80/2.4	58.42/2.3	17.78/.7	15.24/.6
64	81.24/3.2	78.43/3.1	25.99/1.02	22.86/.9

## HOW TO ORDER

### AXX-LC-TX



- T = Straight solder tail
- R = Retentive leg version
- Use 7 to indicate skinny dip (.300)
- C = Tin
- CG = Gold
- XX = Number of contacts