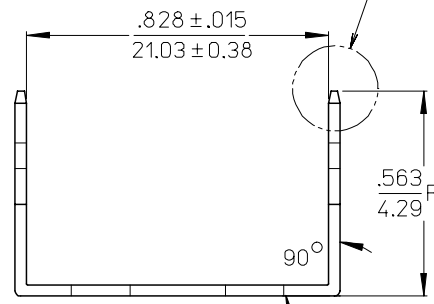
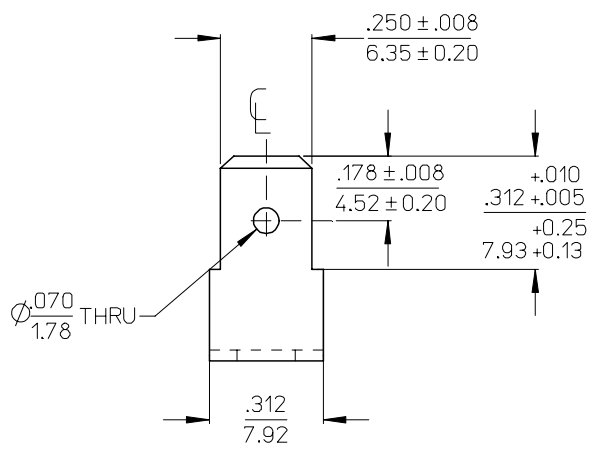


Ø.161 THRU  
4.092 PL.

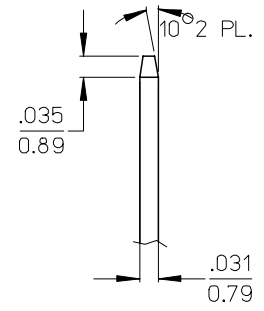
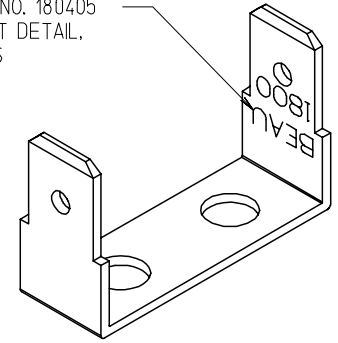


SEE DETAIL "Z"

REF (B)



REF. DWG. NO. 180405  
FOR IMPRINT DETAIL,  
BOTH SIDES



DETAIL "Z"  
SCALE 5:1

NOTES:  
1. MATERIAL: 70/30 BRASS, HALF HARD  
2. FINISHES: SEE TABLE

380020266	1804-0701-A500	380020264	TIN PLATED
380020264	1804-0701-A110	435870182	PLAIN
MATERIAL NO.	ENGINEERING NO.	MADE FROM	FINISH

CHANGED TO REF DIM	DESCRIPTION
EC NO: ETC2006-0257	DRWN:NASAYDEH 2006/03/03
CHKD: ILOMASTRO 2006/03/06	APPR: RDEROSS 2006/03/07
REV B	

QUALITY SYMBOLS
▽=0
▽=0

GENERAL TOLERANCES (UNLESS SPECIFIED)
4 PLACES ± --- ± .0015
3 PLACES ± 0.038 ± .005
2 PLACES ± 0.13 ± .01
1 PLACE ± 0.25 ± ---
ANGULAR ± 2 °
DRAFT WHERE APPLICABLE MUST REMAIN WITHIN DIMENSIONS

DIMENSION STYLE	IN/MM
DRAWN BY	DATE
HCH	69/05/12
CHECKED BY	DATE
APPROVED BY	DATE
RN	69/05/12
MATERIAL NO.	SEE CHART
SIZE	B

SCALE	3:1	DESIGN UNITS	INCH	THIRD ANGLE PROJECTION
TITLE				
TERMINAL, FAST TAB VRVR, 1812				
MOLEX INCORPORATED				
DOCUMENT NO.				SHEET NO.
SD-38002-039				1 OF 1
THIS DRAWING CONTAINS INFORMATION THAT IS PROPRIETARY TO MOLEX INCORPORATED AND SHOULD NOT BE USED WITHOUT WRITTEN PERMISSION				