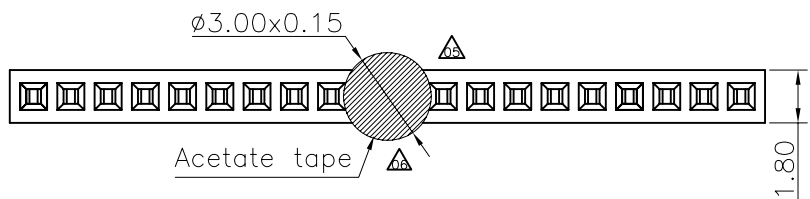
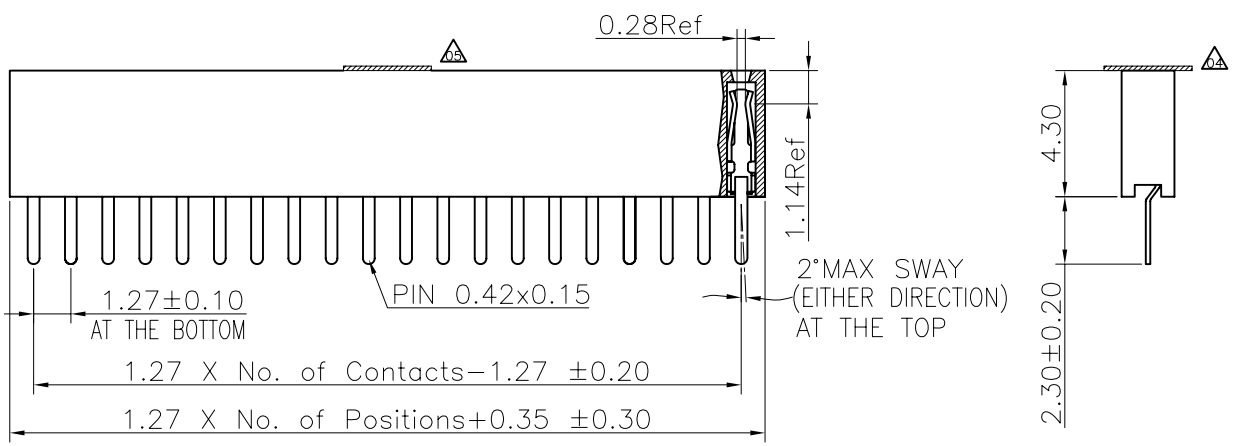


REV.	LOCAS.	DESCRIPTION	DATE	DRAWN
05	△△	變更圖號與注解, 修正膠紙配方	2011.07.14	黃明霞
06	△△	為防止方形膠紙鬆脫, 變更為圓形膠紙	2012.08.29	黃小燕
07	△△	因業務要求, 變更LAYOUT孔徑	2014.08.20	邱國強

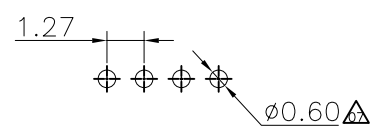


Specifications
 Current Rating: 1.0Amp
 Insulation Resistance: 1000MΩMin.
 Dielectric Withstanding Voltage: 300VAC
 Contact Resistance: 20mΩMax.
 Operating Temperature: -40°C to +105°C
 Materials

△ Contact Material: Phosphor Bronze
 Insulator Material: High Temperature Thermoplastic, UL 94V-0 LCP △ or the equivalent material
 All materials must meet GREENCONN hazardous substances control standards.



Recommended P.C.Board Layout
 (Tolerance: ±0.05)



△ Ordering Information

C SEA102 - XX XX A 001 C 1 A X

No. of Pins per Row 02~40
 Standard Plating 02=Gold Flash
 Selective Plating 01=Tin 05=Gold Flash/Tin
 Color 1=Black
 Standard Packing C=Tube
 Selective Packing A=box
 G=Acetate tape+Tube
 H=Acetate tape+T&R

格稜股份有限公司
Greenconn Corporation

GENERAL TOLERANCE		DESIGNED: 邱國強	DATE: 2014.08.20
X.*±5.0°	X.±0.30	CHECKED: 曹熙	DATE: 2014.08.20
.X*±3.0°	.X±0.25	CO SIGNED: 劉北平	DATE: 2014.08.20
.XX*±2.0°	.XX±0.15	APPROVED: 李輝	DATE: 2014.08.20
.XXX*±1.0°	.XXX±0.10		

DWG. NO. △△	CSEA102-CA1CA
PART NO. △	CSEA102-XXXX A001C1AX

TITLE:
 1.27 PIN HEADER
 DUAL ROWS SINGLE ROW
 DIP TYPE

REV. 07	UNIT. mm	SCALE. 5:1	PAGE. 1/1	
---------	----------	------------	-----------	--