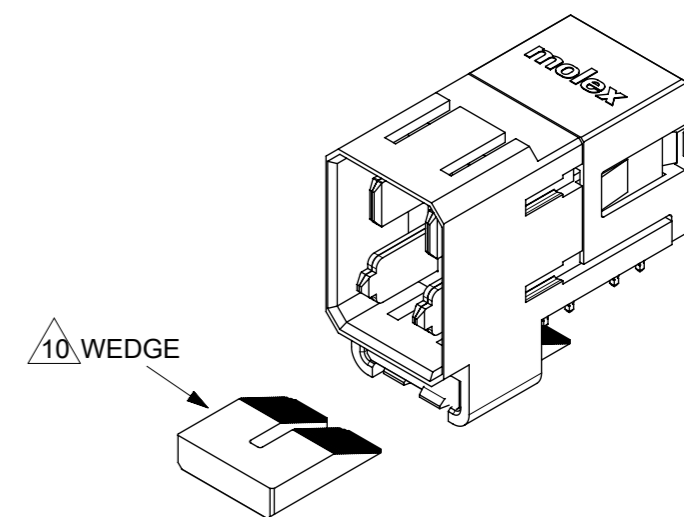


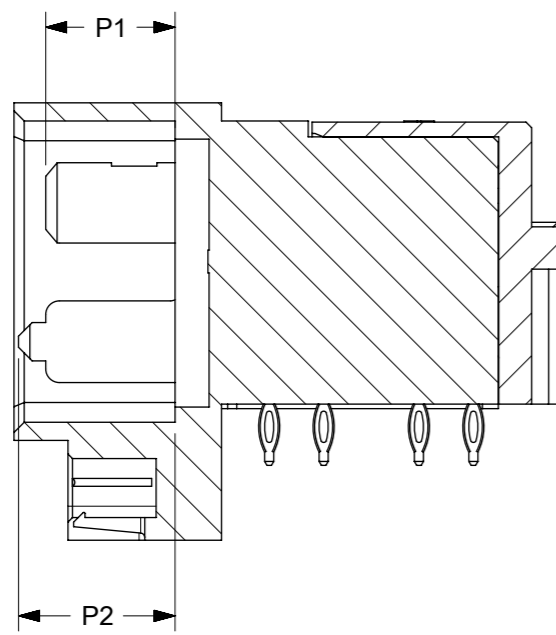
NOTES:

1. MATERIAL:
HOUSING - LCP, GLASS FILLED, UL94-V0, COLOR: BLACK
POWER PIN - COPPER ALLOY
2. FINISH OPTION:
TIN - 0.76µm MINIMUM GOLD AT CONTACT AND
2.54µm MINIMUM TIN AT SOLDER TAIL AREA OVER
1.27µm MINIMUM NICKEL UNDERPLATE OVERALL.
TIN-LEAD - 0.76µm MINIMUM GOLD AT CONTACT AND
2.54µm MINIMUM TIN-LEAD AT SOLDER TAIL AREA OVER
1.27µm MINIMUM NICKEL UNDERPLATE OVERALL.
3. PRODUCT SPECIFICATION: PS-78213-001.
4. PACKAGING SPECIFICATION: PK-78698-001.
5. MATES WITH 78247-**** & 78212-****.
6. REFER TO SHEET 3 FOR RECOMMENDED PCB LAYOUT.
7. REFER TO MOLEX PRODUCT SPECIFICATION PS-78213-001 FOR PLATED THROUGH-HOLE SPECIFICATIONS.
8. PART NUMBER AND DATE CODE (YYDD) APPROXIMATELY SHOWN.
9. KEEP OUT ZONE FROM OTHER COMPONENTS.
10. THIS CONNECTOR IS SHIPPED WITH A WEDGE. THE WEDGE SHALL BE INSERTED INTO THE BOTTOM OF CONNECTOR ONLY AFTER IT IS PRESS-FITTED ONTO PCB.

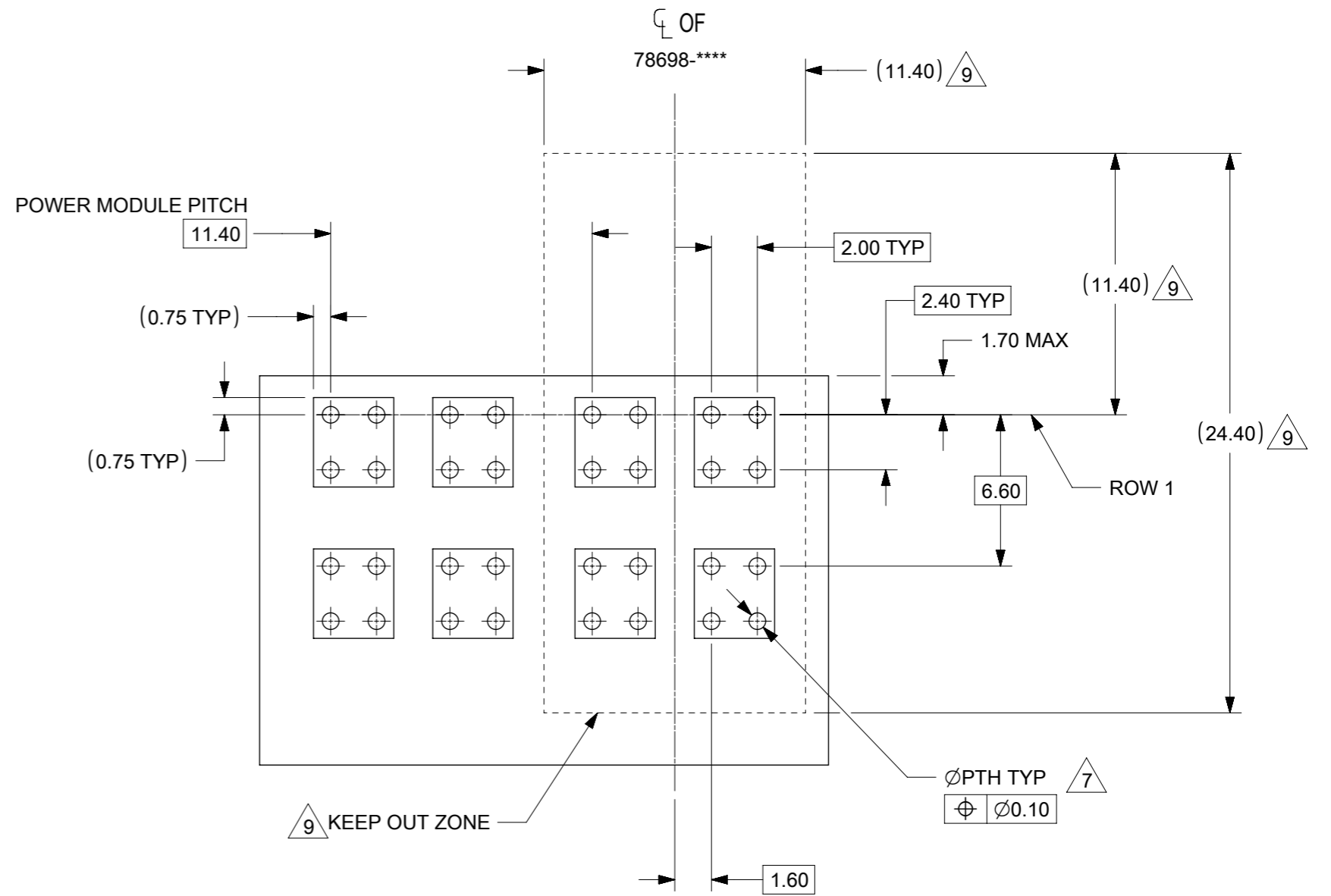


THIS DRAWING CONTAINS INFORMATION THAT IS PROPRIETARY TO MOLEX ELECTRONIC TECHNOLOGIES, LLC AND SHOULD NOT BE USED WITHOUT WRITTEN PERMISSION									
DIMENSION UNITS		SCALE		CURRENT REV DESC: MIGRATED TO NX					
mm		NTS							
GENERAL TOLERANCES (UNLESS SPECIFIED)									
ANGULAR TOL ± 3.0°				EC NO: 612508					
4 PLACES ±				DRWN: PMAHADEVAPPA 2019/02/12					
3 PLACES ±				CHK'D: ABN 2019/03/12					
2 PLACES ± 0.25				APPR: CWANG25 2019/03/13					
1 PLACE ±				INITIAL REVISION:					
0 PLACES ±				DRWN: CTCHO 2012/02/28					
				APPR: SHONG 2012/03/22					
DRAFT WHERE APPLICABLE MUST REMAIN WITHIN DIMENSIONS		THIRD ANGLE PROJECTION		DRAWING		SERIES		MATERIAL NUMBER	
				A3-SIZE		78698		SEE TABLE	
				CUSTOMER		DOC TYPE		DOC PART	
				GENERAL MARKET		PSD		001	
								REVISION	
								B1	
								SHEET NUMBER	
								1 OF 3	

PART NUMBER	P1 (APPLIES TO B1 & B2)	P2 (APPLIES TO A1 & A2)	PLATING OPTIONS	PACKAGING
78698-1011	6.90	6.90	TIN PLATING	TRAY
78698-1022	5.70	5.70		
78698-1033	6.90	5.70		
78698-1044	5.70	6.90		



SECTION Z-Z

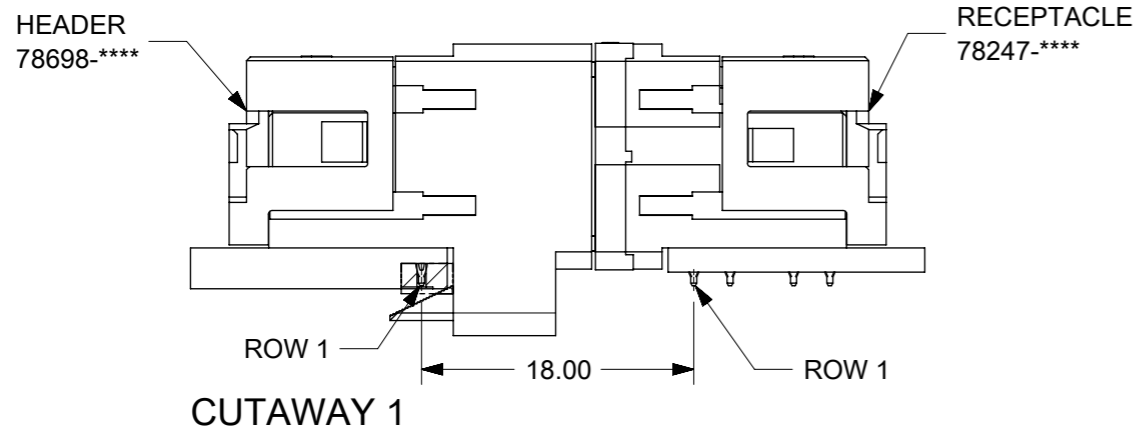


RECOMMENDED PCB LAYOUT

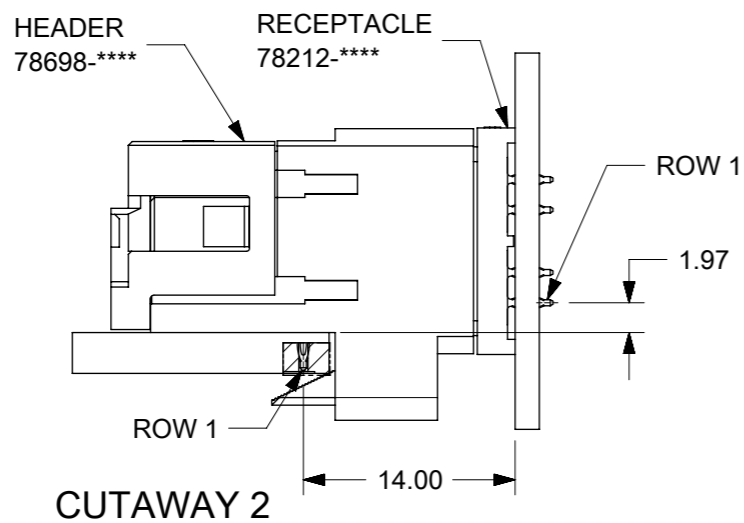
(COMPONENT SIDE SHOWN)
BOARD THICKNESS: FROM 2.75mm TO 3.75mm only

THIS DRAWING CONTAINS INFORMATION THAT IS PROPRIETARY TO MOLEX ELECTRONIC TECHNOLOGIES, LLC AND SHOULD NOT BE USED WITHOUT WRITTEN PERMISSION		CURRENT REV DESC: MIGRATED TO NX		molex	
DIMENSION UNITS	SCALE	EC NO: 612508			
mm	NTS	DRWN: PMAHADEVAPPA 2019/02/12		PRODUCT CUSTOMER DRAWING	
GENERAL TOLERANCES (UNLESS SPECIFIED)		CHK'D: ABN 2019/03/12		DOCUMENT NUMBER	
ANGULAR TOL	± 3.0 °	APPR: CWANG25 2019/03/13		SD-78698-001	
4 PLACES	±	INITIAL REVISION:		DOC TYPE	DOC PART
3 PLACES	±	DRWN: CTCHO 2012/02/28		PSD	001
2 PLACES	± 0.25	APPR: SHONG 2012/03/22		REVISION	B1
1 PLACE	±	DRAFT WHERE APPLICABLE MUST REMAIN WITHIN DIMENSIONS		MATERIAL NUMBER	CUSTOMER
0 PLACES	±	THIRD ANGLE PROJECTION	DRAWING	SEE TABLE	GENERAL MARKET
		A3-SIZE	SERIES	SHEET NUMBER	
			78698	2 OF 3	

DOCUMENT STATUS	P1	RELEASE DATE	2019/03/13	10:32:49
-----------------	----	--------------	------------	----------

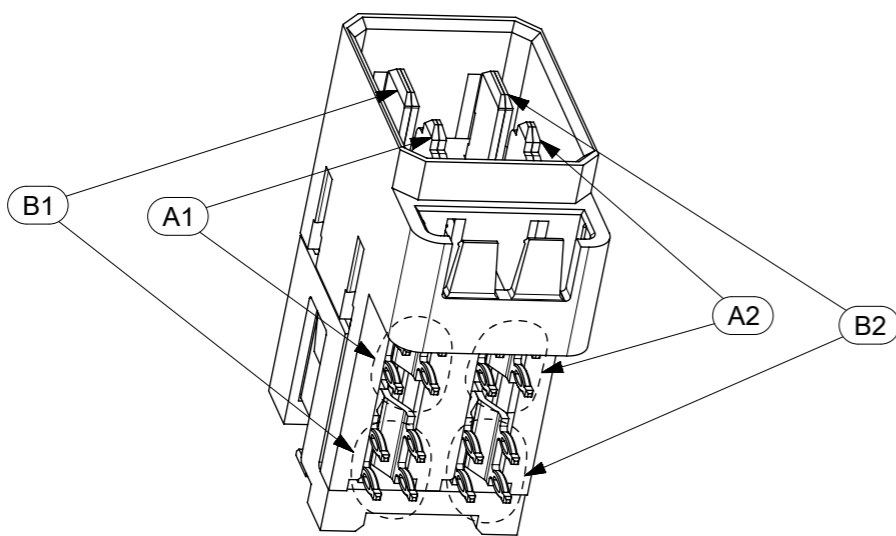


CUTAWAY 1
RIGHT ANGLE HEADER (78642) & RIGHT ANGLE RECEPTACLE (78247)

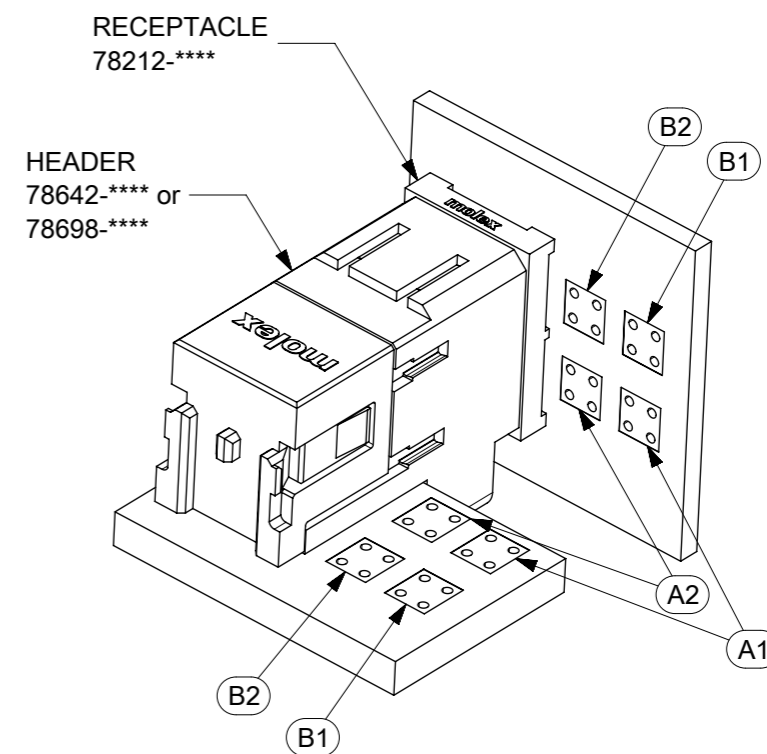
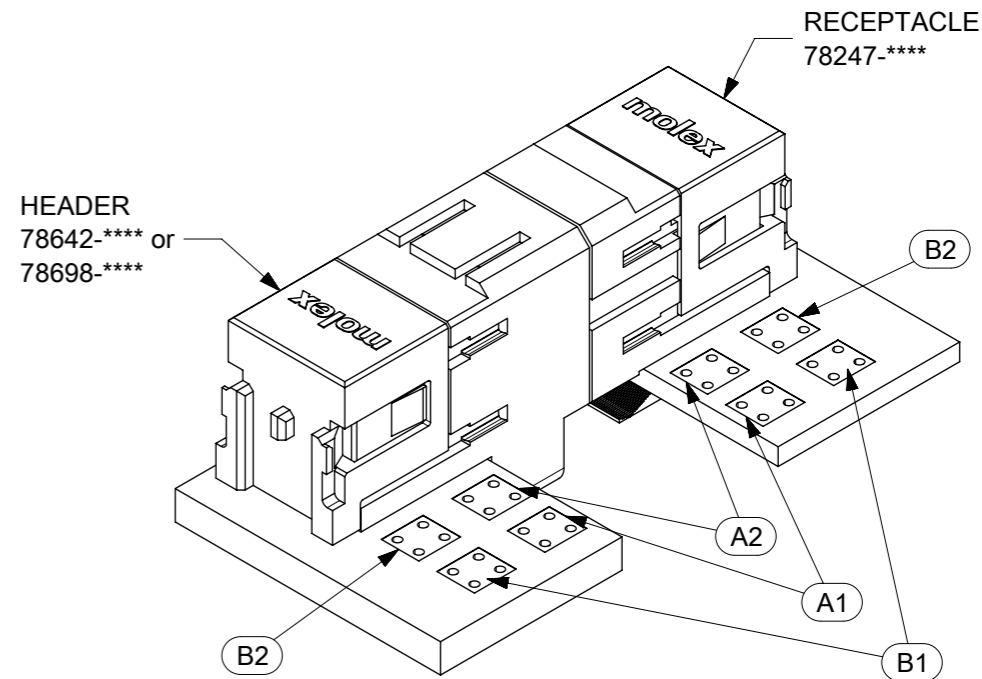


CUTAWAY 2
RIGHT ANGLE HEADER (78698) & VERTICAL RECEPTACLE (78212)

5 MATED SYSTEM OPTIONS WITH 78698



PIN NUMBER ASSIGNMENT BASED ON HEADER SIDE:
A1, B1 ON THE LEFT,
A2, B2 ON THE RIGHT.



CIRCUIT PATH OF MATED SYSTEM

THIS DRAWING CONTAINS INFORMATION THAT IS PROPRIETARY TO MOLEX ELECTRONIC TECHNOLOGIES, LLC AND SHOULD NOT BE USED WITHOUT WRITTEN PERMISSION		CURRENT REV DESC: MIGRATED TO NX		molex	
DIMENSION UNITS	SCALE				
mm	NTS			PRODUCT CUSTOMER DRAWING	
GENERAL TOLERANCES (UNLESS SPECIFIED)		EC NO: 612508		DOCUMENT NUMBER	
ANGULAR TOL ± 3.0°		DRWN: PMAHADEVAPPA 2019/02/12		SD-78698-001	
4 PLACES ±		CHK'D: ABN 2019/03/12		DOC TYPE DOC PART REVISION	
3 PLACES ±		APPR: CWANG25 2019/03/13		PSD 001 B1	
2 PLACES ± 0.25		INITIAL REVISION:		MATERIAL NUMBER	
1 PLACE ±		DRWN: CTCHO 2012/02/28		CUSTOMER	
0 PLACES ±		APPR: SHONG 2012/03/22		GENERAL MARKET	
DRAFT WHERE APPLICABLE MUST REMAIN WITHIN DIMENSIONS		THIRD ANGLE PROJECTION	DRAWING	SERIES	SHEET NUMBER
			A3-SIZE	78698	3 OF 3