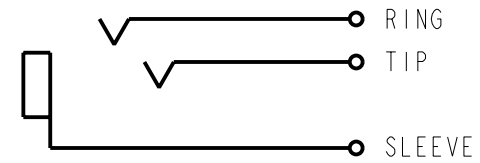
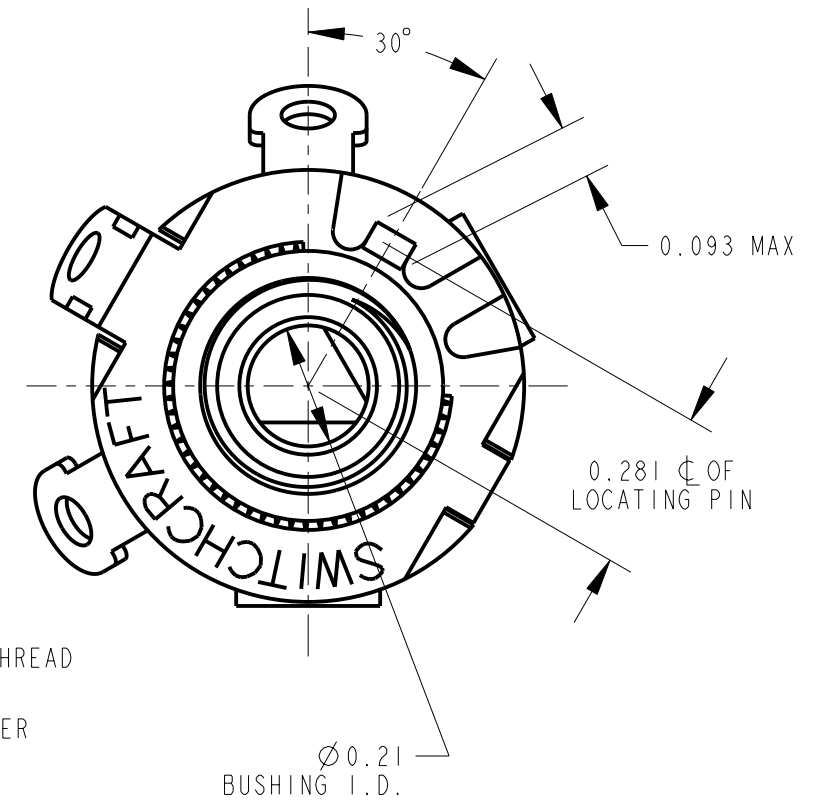
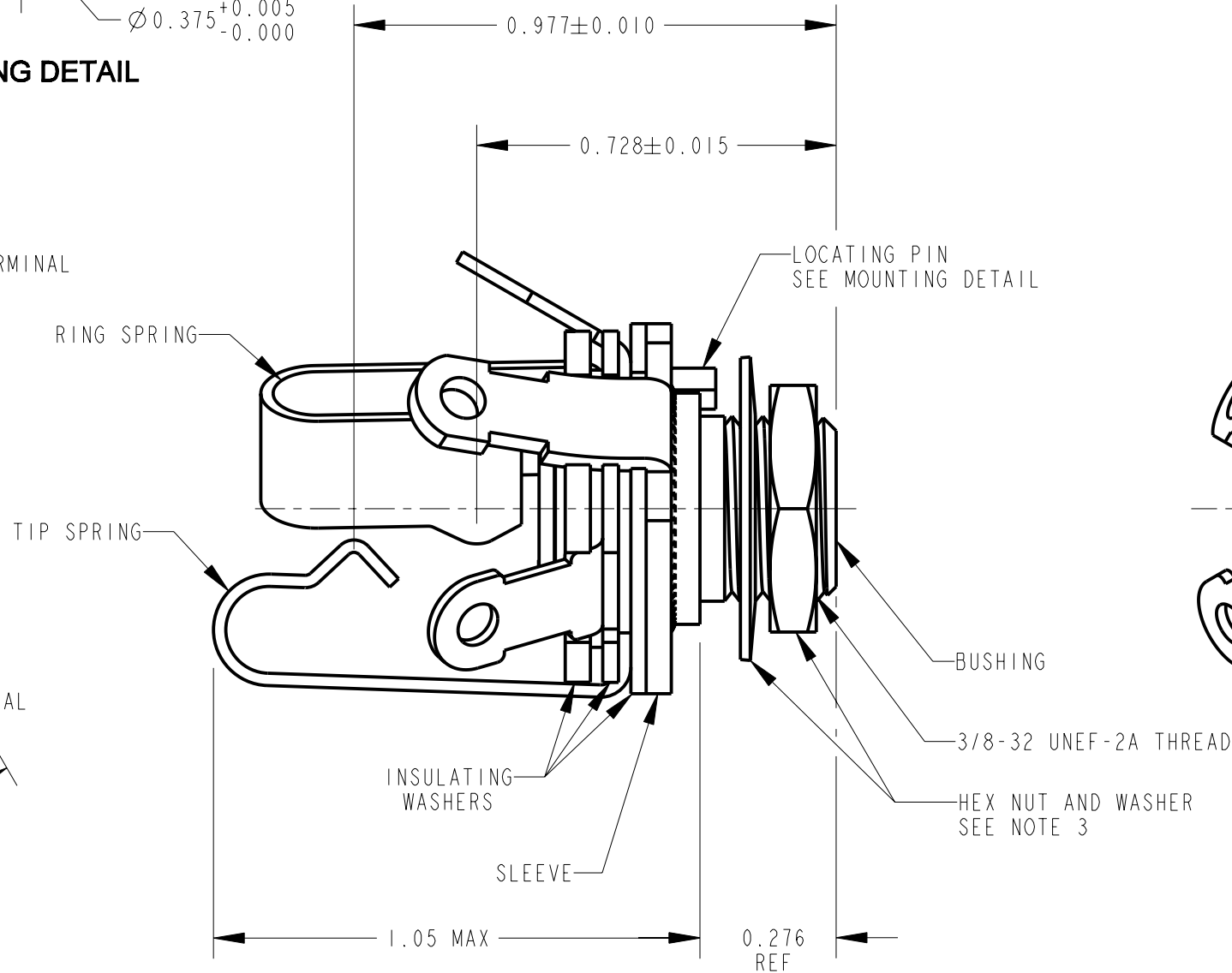
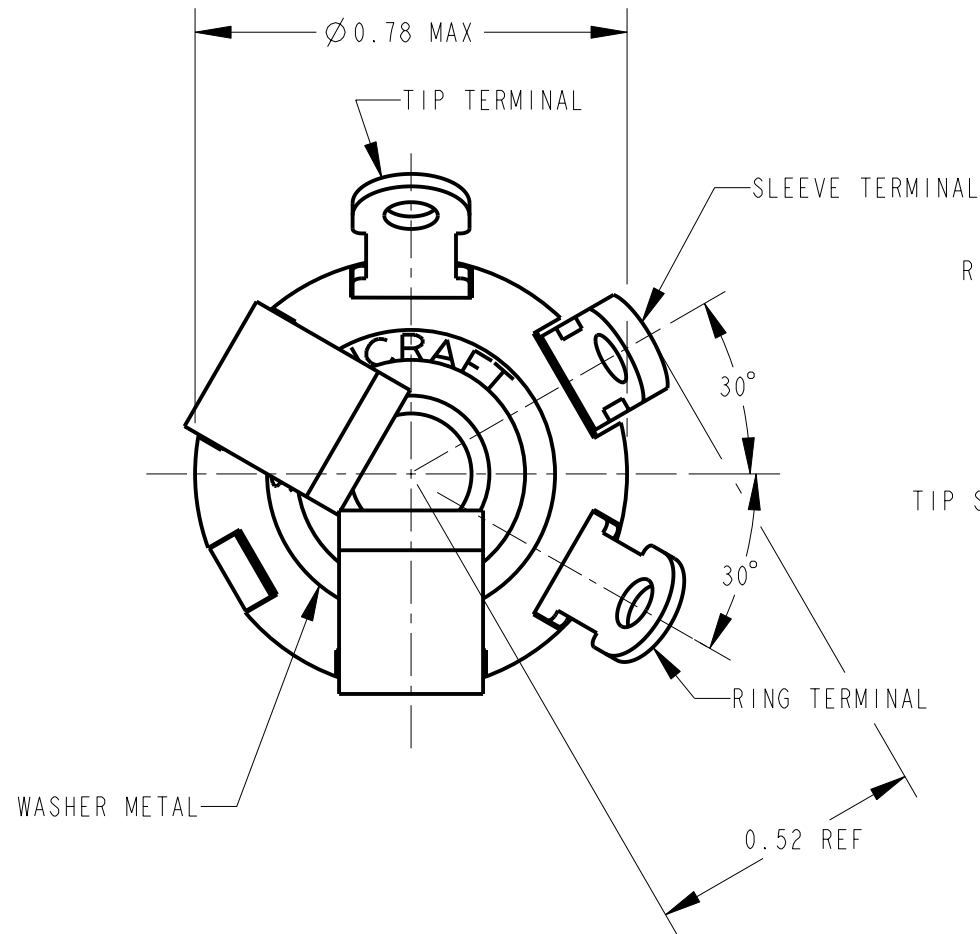
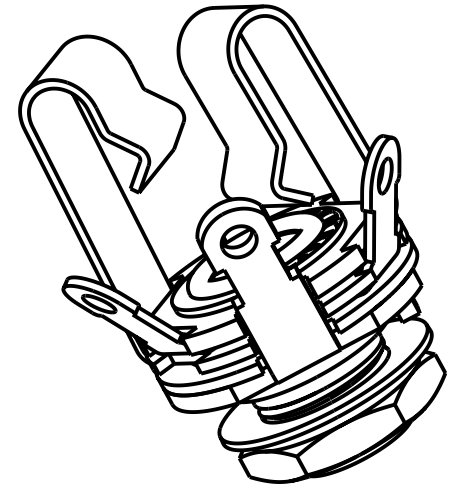


MOUNTING DETAIL



SCHEMATIC



CUSTOMER DRAWING

NOTES:

1. ALL PARTS ARE MECHANICALLY INTERLOCKED
2. MATERIALS:  
 BUSHING - COPPER ALLOY, NICKEL PLATED  
 SLEEVE TERMINAL - COPPER ALLOY, NICKEL PLATED  
 TIP & RING SPRINGS - SPECIAL COPPER ALLOY  
 INSULATING WASHERS - PHENOLIC  
 METAL WASHER - COPPER ALLOY, NICKEL PLATED  
 HARDWARE - COPPER ALLOY, NICKEL PLATED  
 TERMINALS ARE TIN DIPPED WITH LEAD FREE SOLDER
3. K180 HEX NUT & K216 WASHER KIT SHIPPED UNASSEMBLED.
4. THIS PRODUCT IS RoHS COMPLIANT.

REV	ECO NUMBER	DATE	BY	APVD
B	27023	9-14-12	TO	TJK
A	25366	6-24-06	TO	TJK
REVISIONS				

★ STAR SYMBOL DENOTES CRITICAL DIMENSION

UNLESS OTHERWISE SPECIFIED

1. ALL DIMENSIONS IN INCHES  
 - TWO PLACE DECIMALS ±0.01  
 - THREE PLACE DECIMALS ±0.005  
 - ANGLES ±1°  
 - ALL DIA. CONCENTRIC WITHIN 0.005 T.I.R.
2. FEATURES ON THE SAME CENTERLINE MUST BE ALIGNED WITHIN ±0.002
3. REMOVE ALL BURRS

DO NOT SCALE DRAWING

THIS DRAWING DESCRIBES A DESIGN CONSIDERED PROPRIETARY IN NATURE, DEVELOPED AND MANUFACTURED BY SWITCHCRAFT INC. AND IS RELEASED ON A CONFIDENTIAL BASIS FOR IDENTIFICATION PURPOSES ONLY.

SIZE	WIDTH	MULT	LBS/M	TEMPER
FINISH				
SPEC No.			MATERIAL SPEC No.	
FIRST USED ON		SCALE 3:1		
DATE DRAWN	BY	CHKD	APVD	
5-Sep-12	TJK	TJK 9/5/12	TJK 9/5/12	
NAME				PART No.
LITTEL-JAX FOR PJ-068 PLUG, RoHS				C12BX
				REV B

