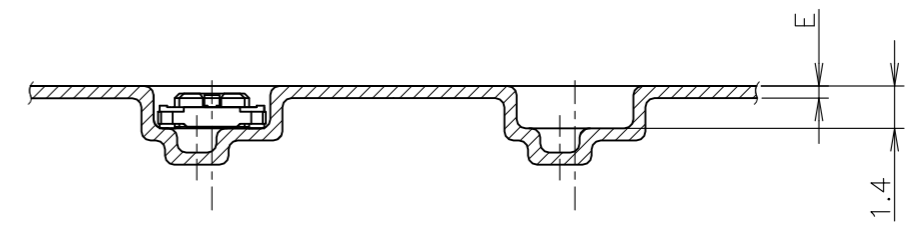
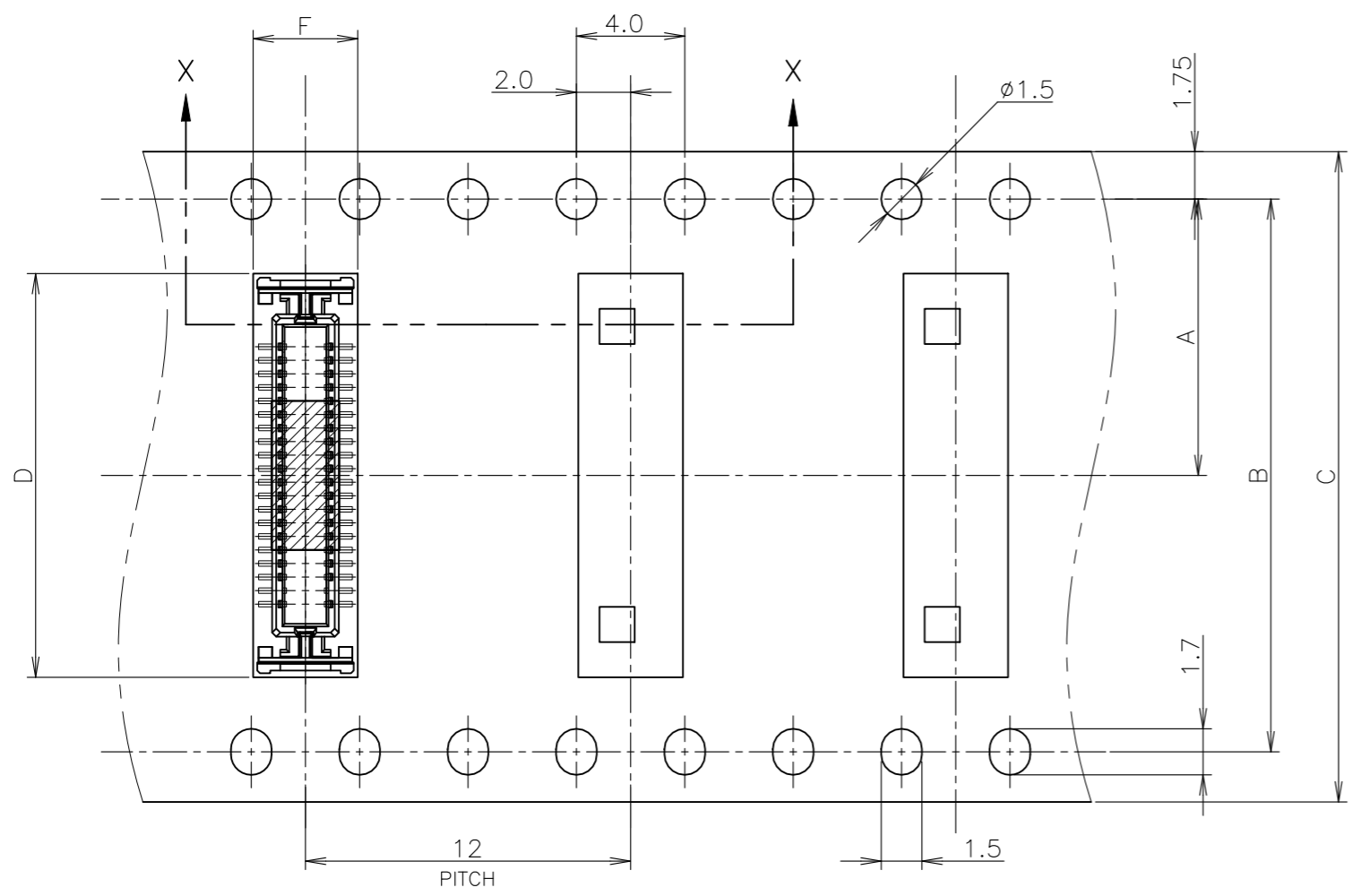


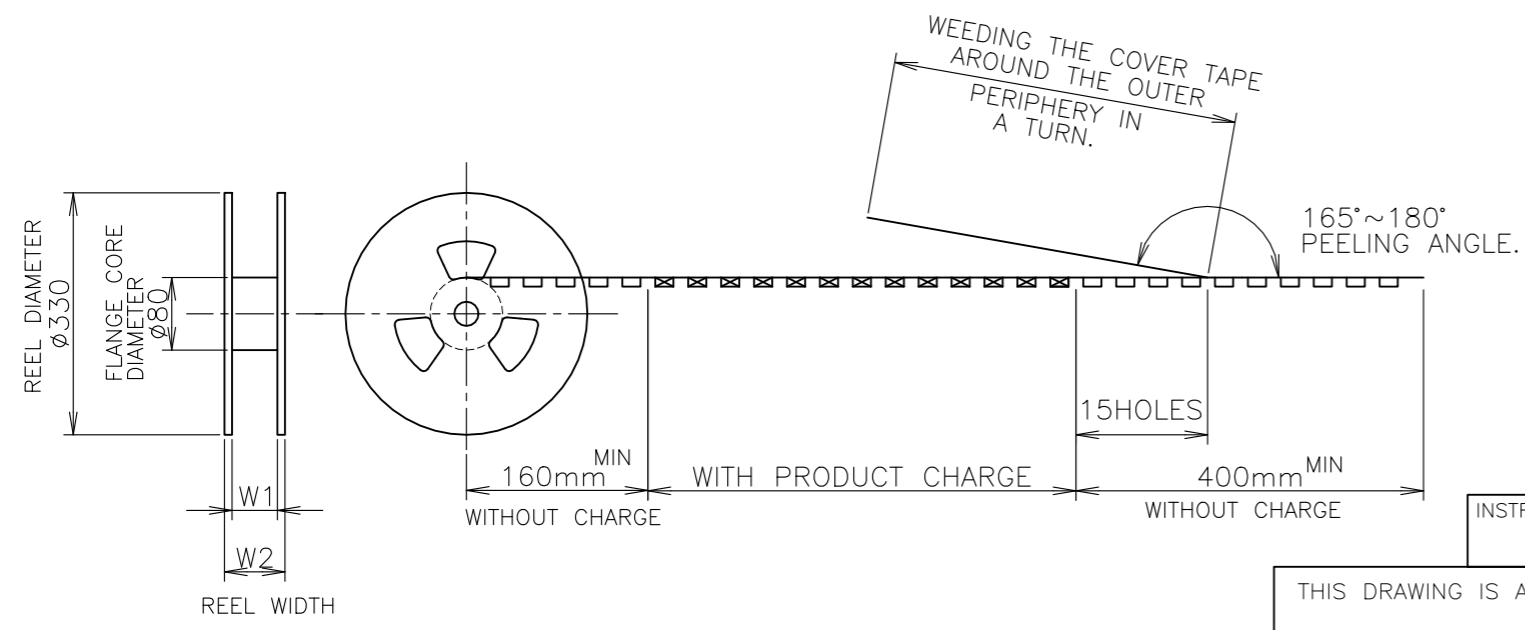
REVISIONS 変更					
P	LTR	DESCRIPTION	DATE	DWN	APVD
H1		REVISED PER ECN-21-103436	11OCT2021	AL	HL
H		ECR-13-012512	09AUG2013	IT	WKH



- 1 MATING COUNTER PART NUMBER: 5353158
- ② MATERIAL  
HOUSING: HIGH HEAT-RESISTED  
CONTACT: COPPER ALLOY (t=0.15), Au-PLT  
SOLDER PEG: COPPER ALLOY (t=0.15), TIN-PLT
- ③ CONTACT: CONTACT POINT Au-PLT. 0.00076 MIN.
- ④ HSG: LCP VERSION
- ⑤ SUPERSEDED LIST

FROM	TO
7-5353164-0	7-5353164-7
7-5353164-5	7-5353164-6
8-5353164-0	8-5353164-6

TOP OF REEL →



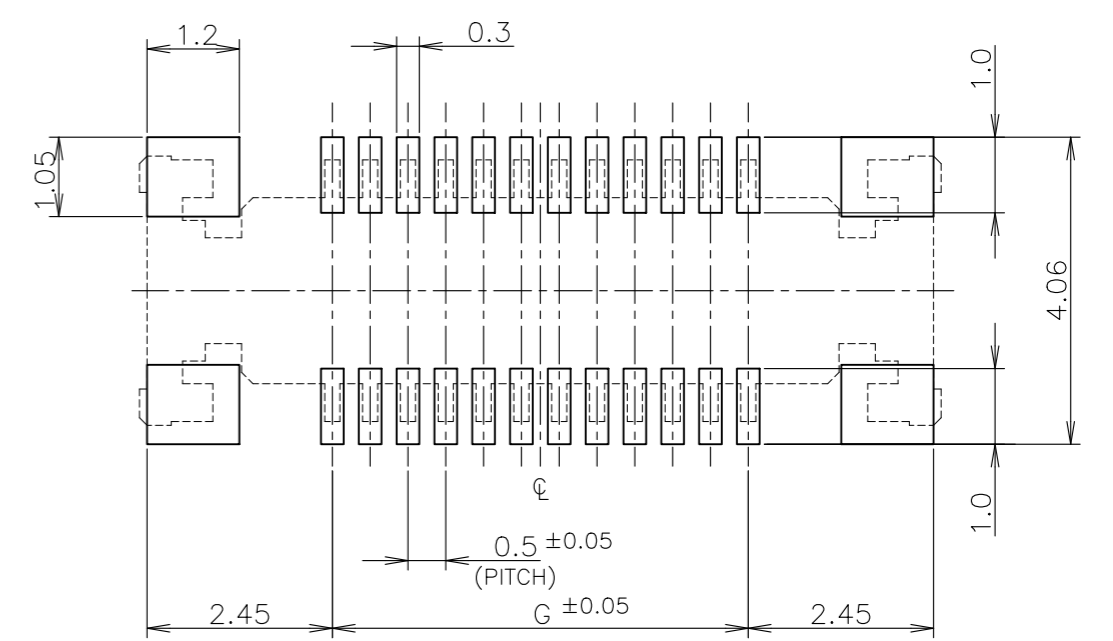
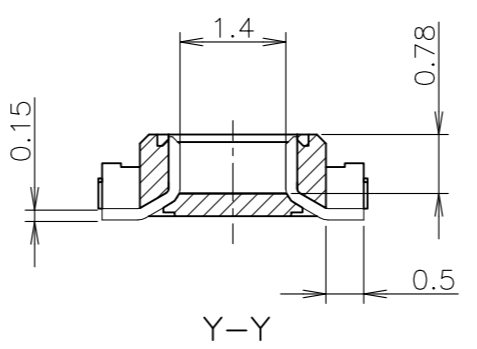
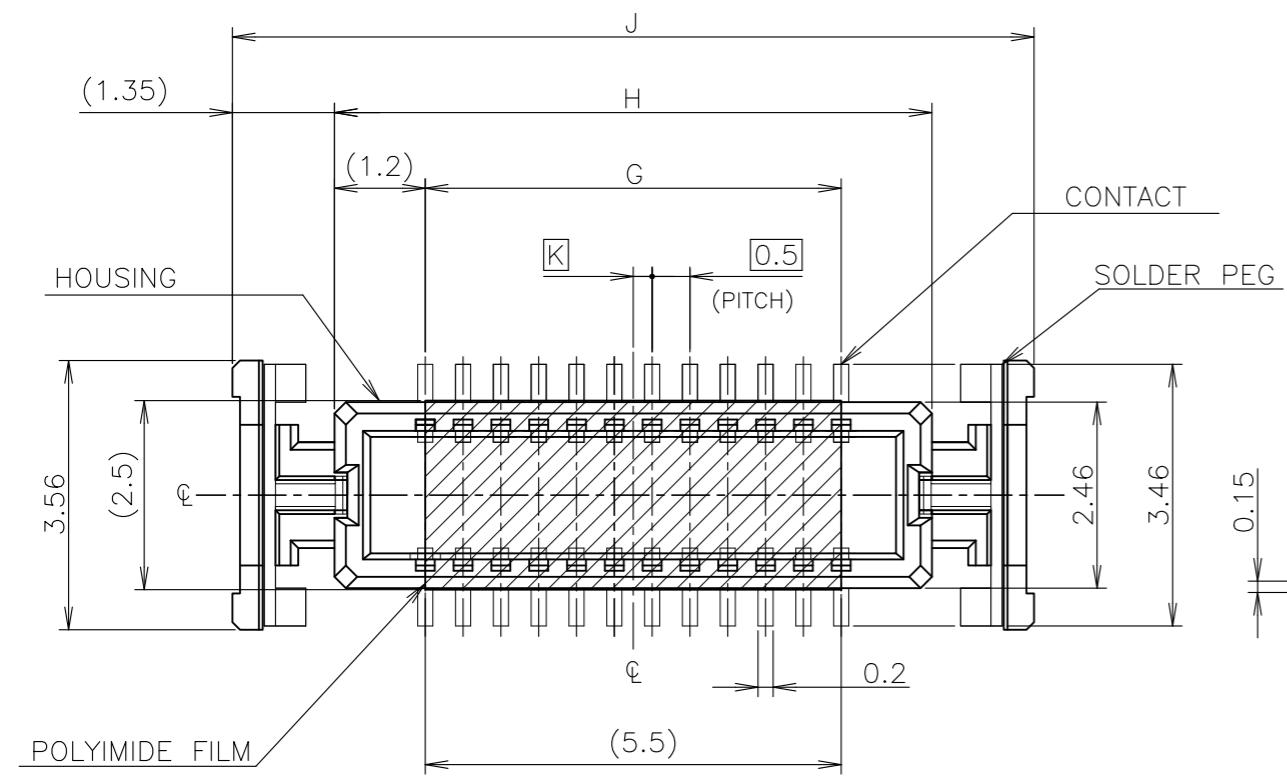
④	48.7	45.5	3.86	0.4	24.9	44	40.4	20.2	1500	80	8-5353164-7
④	48.7	45.5	3.86	0.4	24.9	44	40.4	20.2	1500	80	8-5353164-6
OBSOLETE	48.7	45.5	3.86	0.4	24.9	44	40.4	20.2	1500	80	8-5353164-5
⑤	48.7	45.5	3.86	0.4	24.9	44	40.4	20.2	1500	80	8-5353164-0
④	48.7	45.5	3.86	0.4	22.4	44	40.4	20.2	1500	70	7-5353164-7
④	48.7	45.5	3.86	0.4	22.4	44	40.4	20.2	1500	70	7-5353164-6
⑤	48.7	45.5	3.86	0.4	22.4	44	40.4	20.2	1500	70	7-5353164-5
⑤	48.7	45.5	3.86	0.4	22.4	44	40.4	20.2	1500	70	7-5353164-0
④	37.5	33.5	3.8	0.4	19.85	32	28.4	14.2	1500	60	6-5353164-6
	37.5	33.5	3.8	0.4	19.85	32	28.4	14.2	1500	60	6-5353164-5
OBSOLETE	37.5	33.5	3.8	0.4	19.85	32	28.4	14.2	1500	60	6-5353164-0
OBSOLETE	29.5	25.5	3.8	0.4	17.35	24	—	11.5	1500	50	5-5353164-5

INSTRUCTION SHEET	W <sub>2</sub>	W <sub>1</sub>	F	E	D	C	B	A	QTY/REEL	POS	TAPING P/N
411-5781											

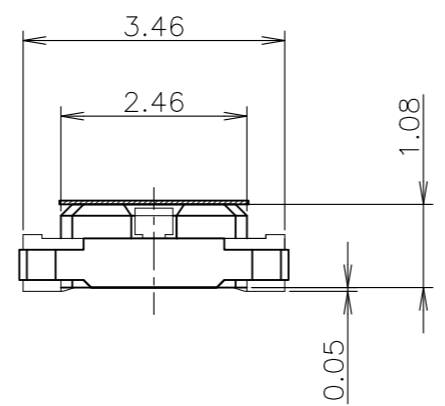
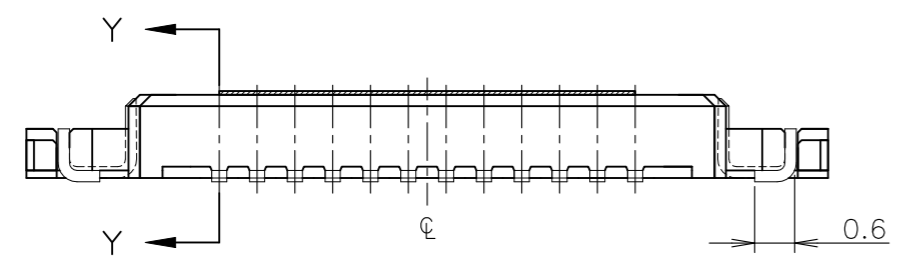
THIS DRAWING IS A CONTROLLED DOCUMENT.

DIMENSIONS: 単位: 耗 mm	TOLERANCES UNLESS OTHERWISE SPECIFIED: 一般公差	DWN J.ZHU 04NOV2004	TE Connectivity Ltd.  ON TAPING EMBOSS 0.5mm PITCH FS CONN. TAB ASSEMBLY WITH FILM
0 PLC ± 0.2 1 PLC ± 0.2 2 PLC ± 0.2 3 PLC ± 0.2 4 PLC ± 0.2 ANGLES ± 3°	FINISH 仕上	CHK S.YAO 04NOV2004	
MATERIAL 材料		APVD I.ENOMOTO 04NOV2004	
		NAME 名称 I.ENOMOTO	PRODUCT SPEC 製品規格 108-60048  APPLICATION SPEC 取付適用規格
		SIZE A3	
		WEIGHT	DRAWING NO 番号 C-5353164
		CUSTOMER DRAWING	
		SCALE 尺度 4:1	SHEET 1 OF 2
		RESTRICTED TO REV H1	

REVISIONS 変更					
P	LTR	DESCRIPTION	DATE	DWN	APVD
-	-	SEE SHEET 1	-	-	-



(T=0.6 MIN.)  
P.C. BOARD LAYOUT (REF.)



△4	△3	0.25	24.6	21.9	19.5	80	8-5353164-7	
△4	△3	0.25	24.6	21.9	19.5	80	8-5353164-6	
OBSOLETE	△3	0.25	24.6	21.9	19.5	80	8-5353164-5	
	△5	0.25	24.6	21.9	19.5	80	8-5353164-0	
HI	△4	//	22.1	19.4	17	70	7-5353164-7	
△4	△3	//	22.1	19.4	17	70	7-5353164-6	
△5	△3	//	22.1	19.4	17	70	7-5353164-5	
	△5	//	22.1	19.4	17	70	7-5353164-0	
HI	△4	△3	0.25	19.6	16.9	14.5	60	6-5353164-6
	△3	0.25	19.6	16.9	14.5	60	6-5353164-5	
OBSOLETE		0.25	19.6	16.9	14.5	60	6-5353164-0	
OBSOLETE		//	17.1	14.4	12.0	50	5-5353164-5	

INSTRUCTION SHEET 411-5781		K	J	H	G	POS.	PART NO.
DWN		TE Connectivity Ltd.					
CHK							
APVD							
NAME 名称							
PRODUCT SPEC 製品規格		ON TAPING EMBOSS 0.5mm PITCH FS CONN. TAB ASSEMBLY WITH FILM					
APPLICATION SPEC 取付適用規格		SIZE	CAGE CODE	DRAWING NO 番号		RESTRICTED TO	
WEIGHT		A3	00779	G-5353164		-	
CUSTOMER DRAWING		SCALE 尺度 10:1		SHEET 2 OF 2		REV H1	

THIS DRAWING IS A CONTROLLED DOCUMENT.

DIMENSIONS: 単位: 耗 mm	TOLERANCES UNLESS OTHERWISE SPECIFIED: 一般公差
	0 PLC ± 0.2
	1 PLC ± 0.2
	2 PLC ± 0.2
	3 PLC ± 0.2
	4 PLC ± 0.2
ANGLES ± 3°	
MATERIAL 材料	FINISH 仕上
△	△