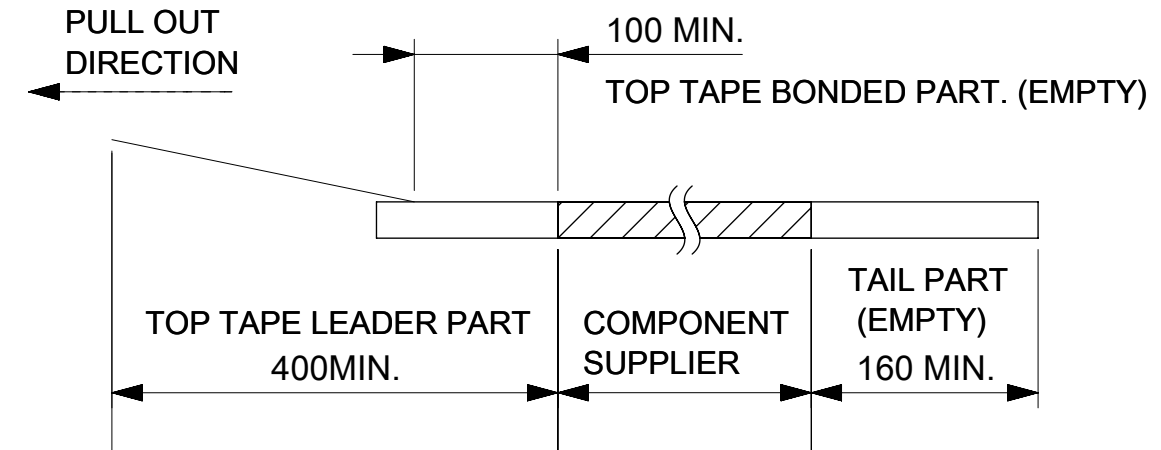
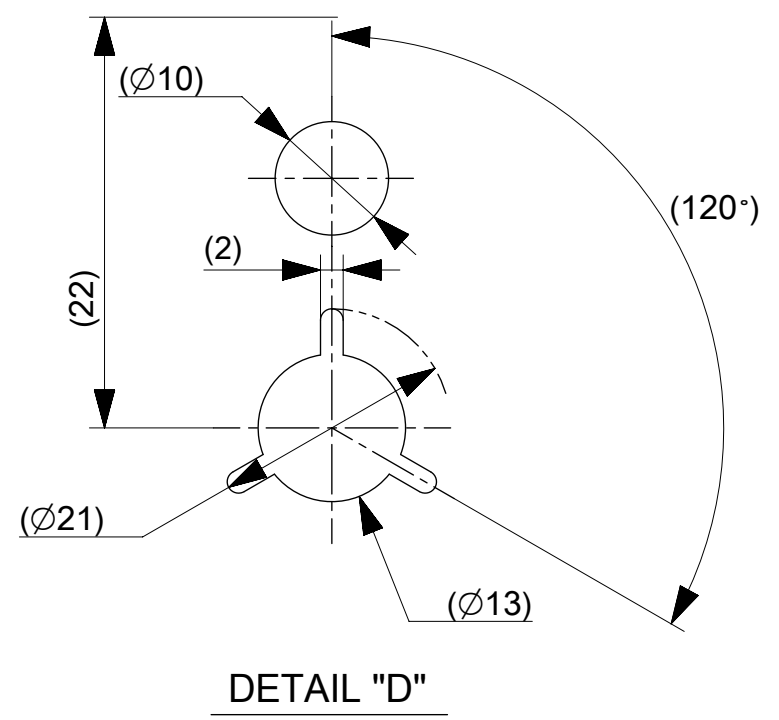


NOTES

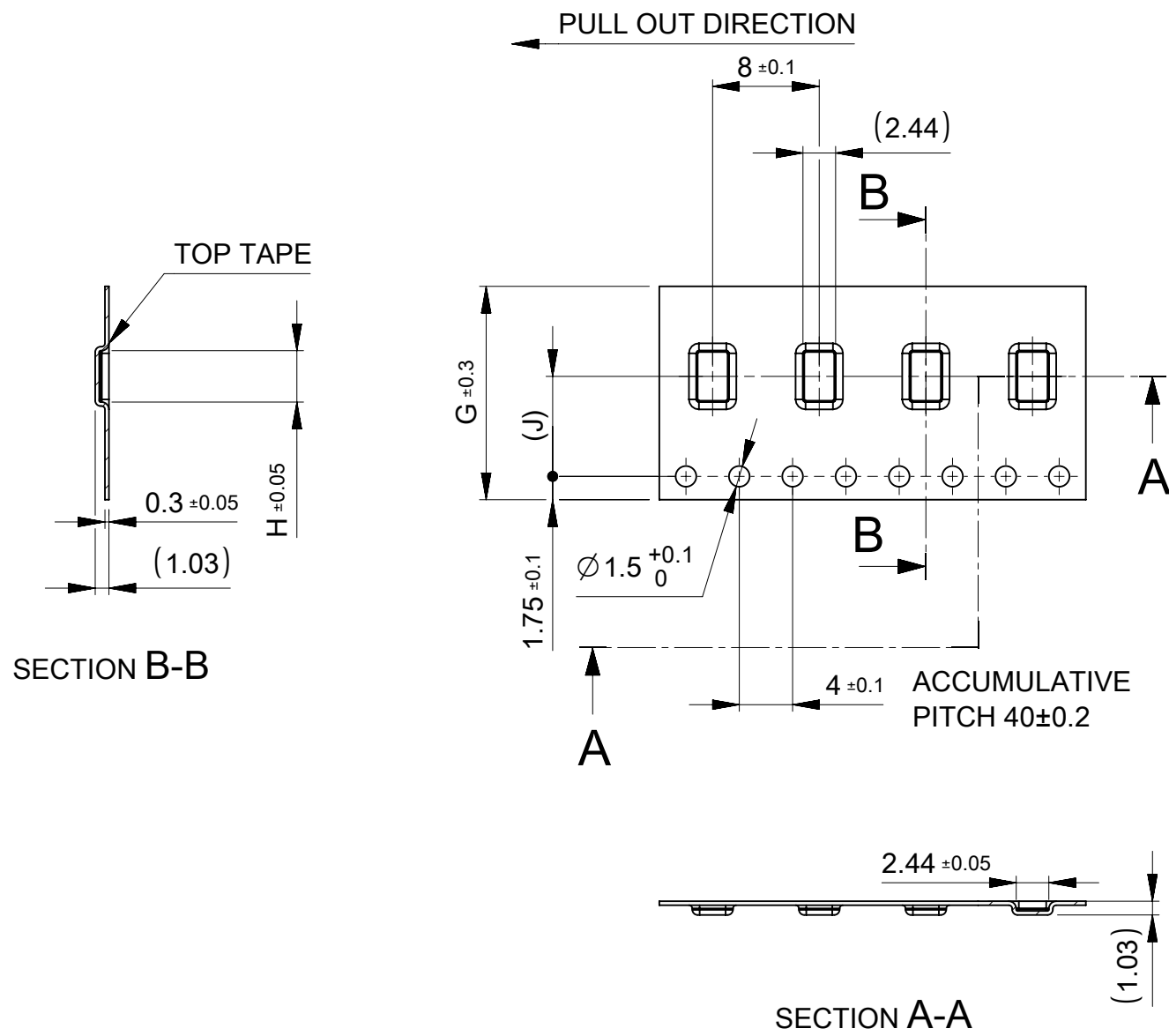
1. RE DETAILED DIMENSION, SEE PRODUCT DRAWING.
2. NUMBER OF CONNECTORS : 11000PCS/REEL
3. LEAD TAPE LENGTH.

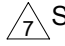



4. PEELING OFF FORCE OF THE TOP TAPE IS DEFINED BY IEC60286-3.
5. MATERIAL
 CARRIER TAPE : POLYSTYRENE OR PET
 TOP TAPE : PET , OTHER
 REEL : POLYSTYRENE (PS) < RECYCLE MATERIAL CONTAINED >
6. CONFORM TO 2188779200-SPK/PS/200 FOR PACKAGING SPECIFICATION.
7. CONFORM TO 2188779200-SPK/PS/201 FOR PACKAGING SPECIFICATION.


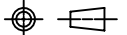


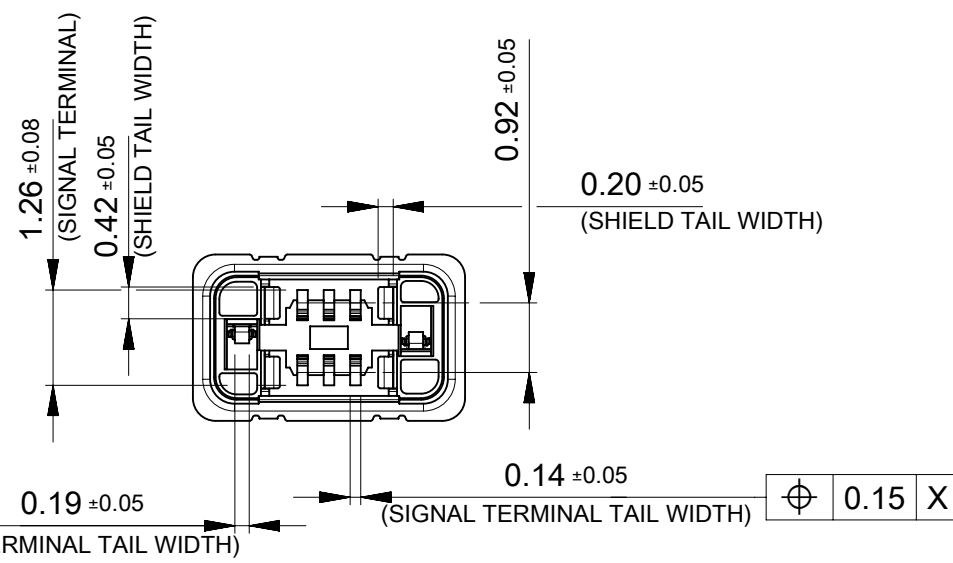
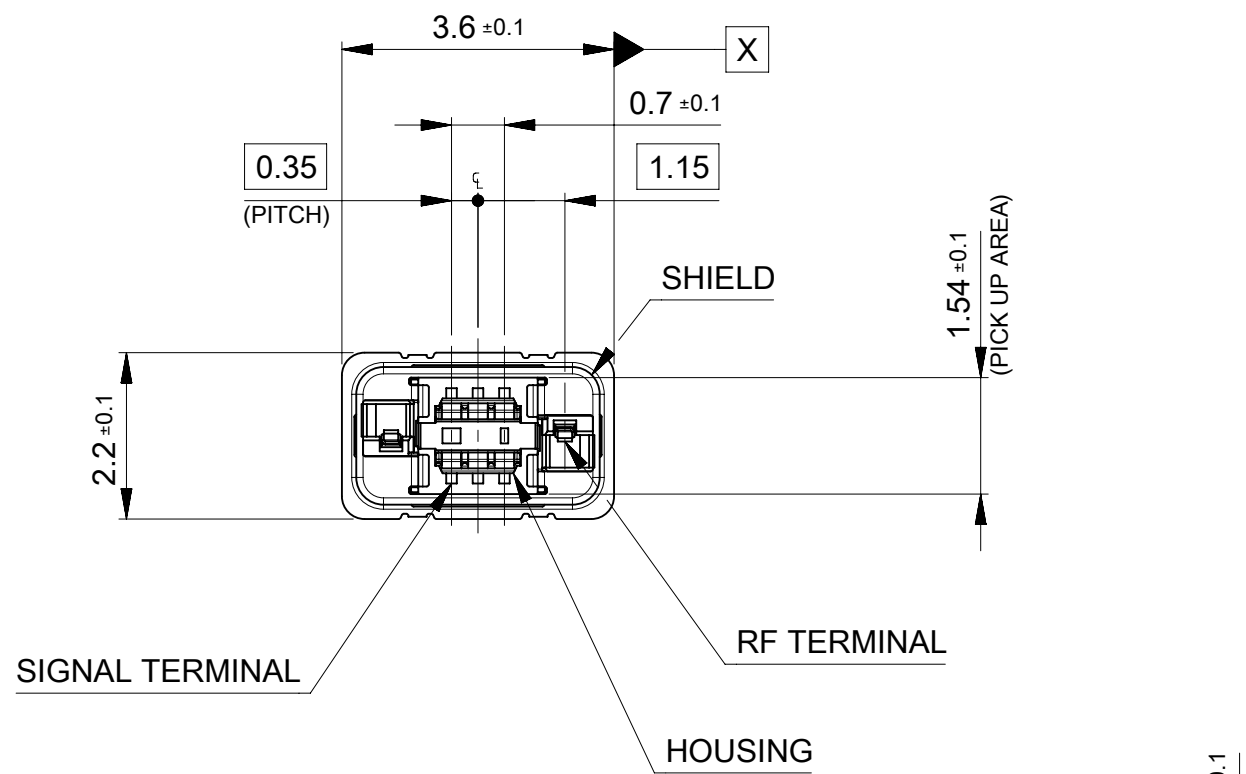
| | | | | | | | | | |
|---|--|-------|--|-----------------------------|--|-----------------|--|--------------------------|--|
| THIS DRAWING CONTAINS INFORMATION THAT IS PROPRIETARY TO MOLEX ELECTRONIC TECHNOLOGIES, LLC AND SHOULD NOT BE USED WITHOUT WRITTEN PERMISSION | | | | | | | | | |
| DIMENSION UNITS | | SCALE | | CURRENT REV DESC: | | | | molex | |
| mm | | 1:1 | | | | | | | |
| GENERAL TOLERANCES (UNLESS SPECIFIED) | | | | EC NO: 732080 | | | | 5G25 PLUG EMBOSS PACKAGE | |
| ANGULAR TOL ± ° | | | | DRWN: RAJMOK 2022/12/02 | | | | PRODUCT CUSTOMER DRAWING | |
| 4 PLACES ± | | | | CHK'D: YNUKANOBU 2022/12/15 | | | | DOCUMENT NUMBER | |
| 3 PLACES ± | | | | APPR: YNAITO 2022/09/14 | | | | 2188770000-SD | |
| 2 PLACES ± | | | | INITIAL REVISION: | | | | DOC TYPE | |
| 1 PLACE ± | | | | DRWN: NKONDO 2021/11/09 | | | | PSD | |
| 0 PLACES ± | | | | APPR: KSASAKI 2022/09/14 | | | | DOC PART | |
| DRAFT WHERE APPLICABLE MUST REMAIN WITHIN DIMENSIONS | | | | THIRD ANGLE PROJECTION | | DRAWING | | REVISION | |
| | | | | A3-SIZE | | SERIES | | B | |
| | | | | 218877 | | MATERIAL NUMBER | | SHEET NUMBER | |
| | | | | SEE SHEET-2 | | CUSTOMER | | 1 OF 2 | |
| | | | | GENERAL | | | | | |



| | | | | | | | | | |
|---|---|-----|------|----|------|------|--|---------------|------|
| 2188770064 | 2188770062 | 7.5 | 3.84 | 16 | 21.4 | 17.4 | ○ | --- | 6 |
| ORDER NO. | ORDER NO. | | | | | | HIGH VOL. TOOL | LOW VOL. TOOL | |
| PACKAGING SPEC:  | PACKAGING SPEC:  | J | H | G | F | E | SAMPLE PREPARATION ○ : TOOLED △ : WORK IN PROCESS --- : TOOLING TO BE CONFIRMED | | Ckt. |

CONNECTOR SERIES No. 218877****

| | | | | | | | | | |
|---|-------|---|------------|-----------------|---|--------------|--|--|--|
| THIS DRAWING CONTAINS INFORMATION THAT IS PROPRIETARY TO MOLEX ELECTRONIC TECHNOLOGIES, LLC AND SHOULD NOT BE USED WITHOUT WRITTEN PERMISSION | | | | | | | | | |
| DIMENSION UNITS | SCALE | CURRENT REV DESC: | | | | | | | |
| mm | 2:1 |  5G25 PLUG EMBOSS PACKAGE PRODUCT CUSTOMER DRAWING | | | | | | | |
| GENERAL TOLERANCES (UNLESS SPECIFIED) | | | | | | | | | |
| ANGULAR TOL | ± ° | | | | | | | | |
| 4 PLACES | ± | | | | | | | | |
| 3 PLACES | ± | | | | | | | | |
| 2 PLACES | ± | EC NO: 732080 | 2022/12/02 | | DOCUMENT NUMBER: 2188770000-SD DOC TYPE: PSD DOC PART: 000 REVISION: B | | | | |
| 1 PLACE | ± | DRWN: RAJMOK | 2022/12/15 | | | | | | |
| 0 PLACES | ± | CHK'D: YNUKANOBU | 2022/12/19 | | MATERIAL NUMBER: SEE TABLE CUSTOMER: GENERAL SHEET NUMBER: 2 OF 2 | | | | |
| DRAFT WHERE APPLICABLE MUST REMAIN WITHIN DIMENSIONS | | APPR: YNAITO | 2022/09/14 | | | | | | |
| THIRD ANGLE PROJECTION | | DRAWING | SERIES | MATERIAL NUMBER | CUSTOMER | SHEET NUMBER | | | |
|  | | A3-SIZE | 218877 | SEE TABLE | GENERAL | 2 OF 2 | | | |

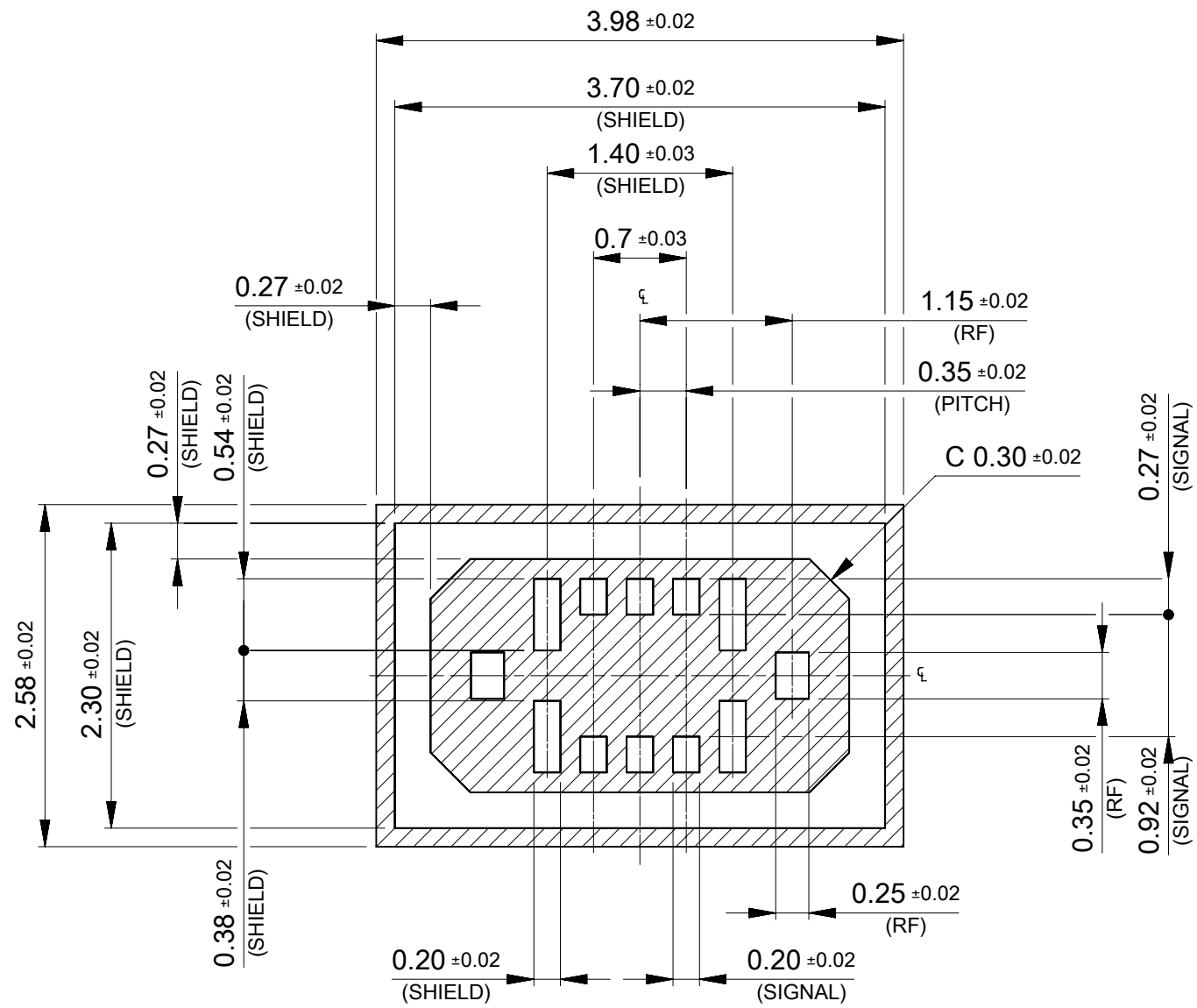


NOTES

1. MATERIAL
 HOUSING : LIQUID CRYSTAL POLYMER UL94V-0(COLOR : BLACK)
 SIGNAL TERMINAL : COPPER ALLOY
 RF TERMINAL : COPPER ALLOY
 SHIELD : COPPER ALLOY
2. PLATING
 SIGNAL TERMINAL
 CONTACT AREA : GOLD
 TAIL AREA : GOLD
 UNDER : NICKEL
 RF TERMINAL
 CONTACT AREA : GOLD
 TAIL AREA : GOLD
 UNDER : NICKEL
 SHIELD
 TAIL AREA : NICKEL (SOLDERABLE)
3. MATE WITH :2188760062
4. COPLANARITY TO BE 0.08MAXIMUM.
- △5 CONFORM TO 2188779200-SPK/PS/200 FOR PACKAGING SPECIFICATION.
- △6 CONFORM TO 2188779200-SPK/PS/201 FOR PACKAGING SPECIFICATION.

| | | | | |
|-----------------------|-----------------------|--|---------------|----------------|
| 2188770064 | 2188770062 | ○ | --- | 6 |
| EMBOSED TAPE PACKAGE | EMBOSED TAPE PACKAGE | HIGH VOL. TOOL | LOW VOL. TOOL | SIGNAL CIRCUIT |
| ORDER No. | ORDER No. | SAMPLE PREPARATION ○ : TOOLED △ : WORK IN PROCESS --- : TOOLING TO BE CONFIRMED | | |
| PACKAGING SPEC: △6 | PACKAGING SPEC: △5 | | | |

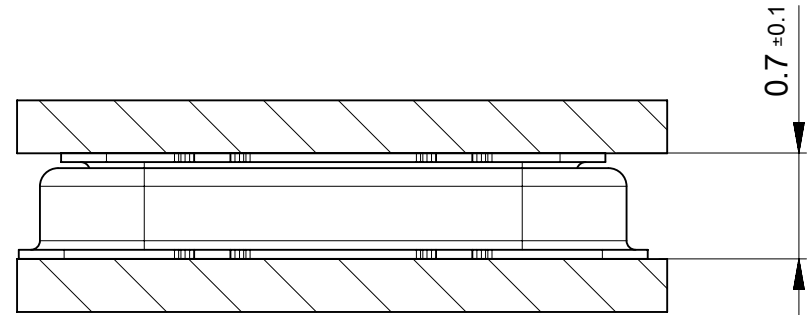
| | | | | | | | | | |
|---|-----------------|-------------------|------------------------------|---------------------|--------------------------|----------|----------|----------|--|
| THIS DRAWING CONTAINS INFORMATION THAT IS PROPRIETARY TO MOLEX ELECTRONIC TECHNOLOGIES, LLC AND SHOULD NOT BE USED WITHOUT WRITTEN PERMISSION | | | | | | | | | |
| DIMENSION UNITS mm | SCALE 10:1 | CURRENT REV DESC: | | | | | | | |
| GENERAL TOLERANCES (UNLESS SPECIFIED) | | EC NO: 732080 | | | | | | | |
| ANGULAR TOL ± 3.0 ° | 4 PLACES ± 0.03 | DRWN: RAJMOK | 2022/12/07 | | 5G25 PLUG ASSY | | | | |
| 3 PLACES ± 0.03 | 2 PLACES ± 0.05 | CHK'D: YNUKANOBU | 2022/12/15 | | | | | | |
| 1 PLACE ± 0.1 | 0 PLACES ± 0.2 | APPR: YNAITO | 2022/12/19 | | PRODUCT CUSTOMER DRAWING | | | | |
| DRAFT WHERE APPLICABLE MUST REMAIN WITHIN DIMENSIONS | | INITIAL REVISION: | | | | | | | |
| THIRD ANGLE PROJECTION | | DRWN: NKONDO | 2021/11/09 | | DOCUMENT NUMBER | DOC TYPE | DOC PART | REVISION | |
| DRAWING A3-SIZE | | SERIES 218877 | MATERIAL NUMBER SEE TABLE | CUSTOMER GENERAL | 2188771000-SD | PSD | 000 | B | |
| SHEET NUMBER 1 OF 2 | | | | | | | | | |



P.W. BOARD PATTERN LAYOUT

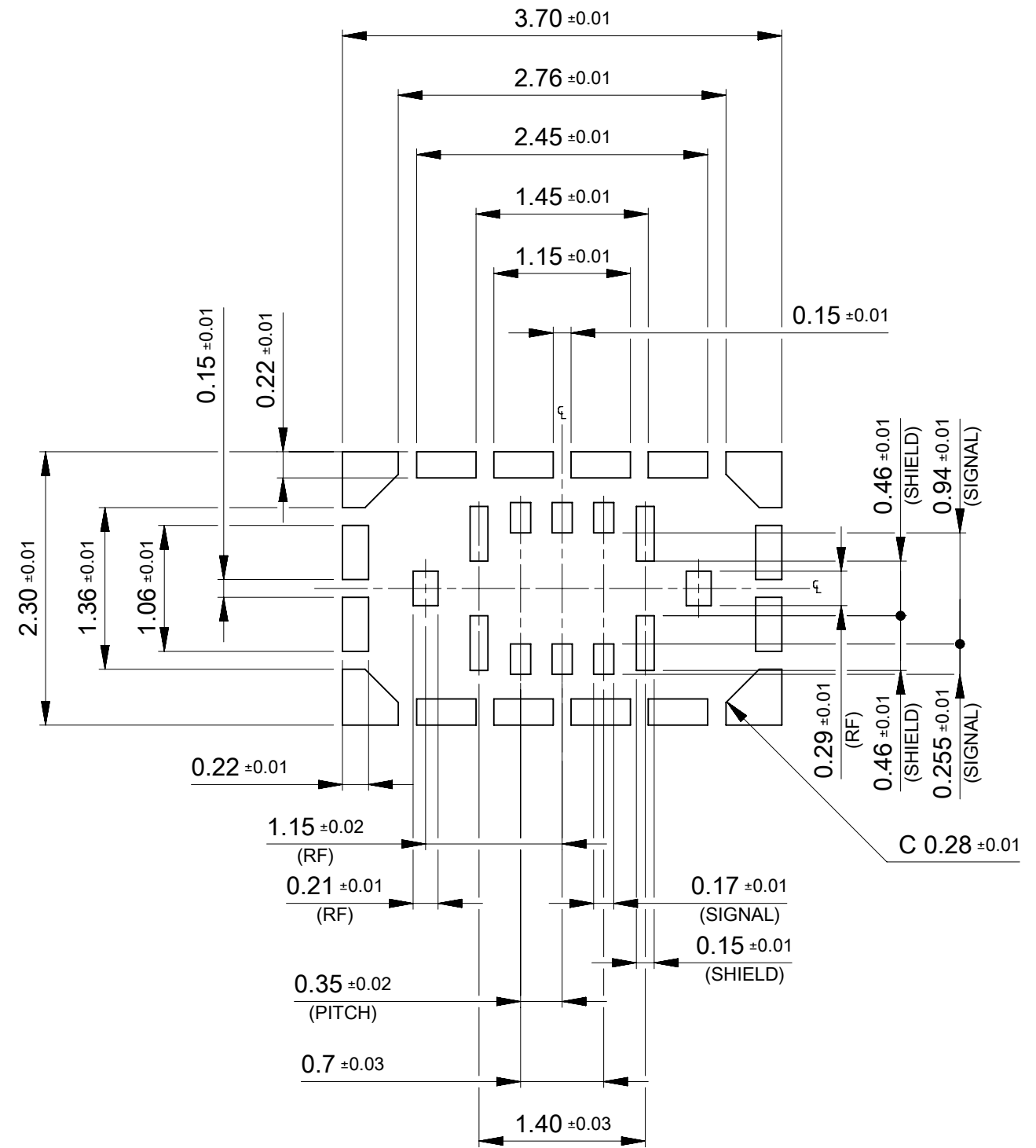


SOLDERING PROHIBITED AREA
 WHEN WIRING IS LOCATED, THE WIRING MUST BE MASKED
 BY COVER LAY OR RESIST FILM.



MATED CONDITION

THIS DIMENSION SHOW A DIMENSION BETWEEN THE TAIL TO TAIL.



METAL MASK LAYOUT

THICKNESS OF METAL MASK : t=0.08mm

| | | | | | | | | | | | | | | | | | | | | | | | | | | | | | | | | | | | | | | | | | | | | | | | |
|---|---------|---|---------|------------|----------|----------|--|--|--|----------------|-----------|----------------|--|--------------------------|--|--|--|--------|--------|-------|--------|------------|----------|--------|--------|-----------|------------|----------|--------|-------|--------|------------|----------|--------|-------------------|--|--|---------|-------|-------|--------|------------|----------|-------|-------|---------|------------|
| THIS DRAWING CONTAINS INFORMATION THAT IS PROPRIETARY TO MOLEX ELECTRONIC TECHNOLOGIES, LLC AND SHOULD NOT BE USED WITHOUT WRITTEN PERMISSION | | | | | | | | | | | | | | | | | | | | | | | | | | | | | | | | | | | | | | | | | | | | | | | |
| DIMENSION UNITS | SCALE | CURRENT REV DESC: | | | | | | | | | | | | | | | | | | | | | | | | | | | | | | | | | | | | | | | | | | | | | |
| mm | 20:1 | <table border="1"> <tr> <td colspan="2">molex</td> <td colspan="2">5G25 PLUG ASSY</td> </tr> <tr> <td colspan="4">PRODUCT CUSTOMER DRAWING</td> </tr> <tr> <td>EC NO:</td> <td>732080</td> <td>DRWN:</td> <td>RAJMOK</td> <td>2022/12/07</td> </tr> <tr> <td>4 PLACES</td> <td>± 0.03</td> <td>CHK'D:</td> <td>YNUKANOBU</td> <td>2022/12/15</td> </tr> <tr> <td>3 PLACES</td> <td>± 0.03</td> <td>APPR:</td> <td>YNAITO</td> <td>2022/12/19</td> </tr> <tr> <td>2 PLACES</td> <td>± 0.05</td> <td colspan="3">INITIAL REVISION:</td> </tr> <tr> <td>1 PLACE</td> <td>± 0.1</td> <td>DRWN:</td> <td>NKONDO</td> <td>2021/11/09</td> </tr> <tr> <td>0 PLACES</td> <td>± 0.2</td> <td>APPR:</td> <td>KSASAKI</td> <td>2022/09/14</td> </tr> </table> | | | | | | | | molex | | 5G25 PLUG ASSY | | PRODUCT CUSTOMER DRAWING | | | | EC NO: | 732080 | DRWN: | RAJMOK | 2022/12/07 | 4 PLACES | ± 0.03 | CHK'D: | YNUKANOBU | 2022/12/15 | 3 PLACES | ± 0.03 | APPR: | YNAITO | 2022/12/19 | 2 PLACES | ± 0.05 | INITIAL REVISION: | | | 1 PLACE | ± 0.1 | DRWN: | NKONDO | 2021/11/09 | 0 PLACES | ± 0.2 | APPR: | KSASAKI | 2022/09/14 |
| molex | | | | | | | | | | 5G25 PLUG ASSY | | | | | | | | | | | | | | | | | | | | | | | | | | | | | | | | | | | | | |
| PRODUCT CUSTOMER DRAWING | | | | | | | | | | | | | | | | | | | | | | | | | | | | | | | | | | | | | | | | | | | | | | | |
| EC NO: | 732080 | | | | | | | | | DRWN: | RAJMOK | 2022/12/07 | | | | | | | | | | | | | | | | | | | | | | | | | | | | | | | | | | | |
| 4 PLACES | ± 0.03 | | | | | | | | | CHK'D: | YNUKANOBU | 2022/12/15 | | | | | | | | | | | | | | | | | | | | | | | | | | | | | | | | | | | |
| 3 PLACES | ± 0.03 | | | | | | | | | APPR: | YNAITO | 2022/12/19 | | | | | | | | | | | | | | | | | | | | | | | | | | | | | | | | | | | |
| 2 PLACES | ± 0.05 | INITIAL REVISION: | | | | | | | | | | | | | | | | | | | | | | | | | | | | | | | | | | | | | | | | | | | | | |
| 1 PLACE | ± 0.1 | DRWN: | NKONDO | 2021/11/09 | | | | | | | | | | | | | | | | | | | | | | | | | | | | | | | | | | | | | | | | | | | |
| 0 PLACES | ± 0.2 | APPR: | KSASAKI | 2022/09/14 | | | | | | | | | | | | | | | | | | | | | | | | | | | | | | | | | | | | | | | | | | | |
| GENERAL TOLERANCES (UNLESS SPECIFIED) | | DOCUMENT NUMBER | | DOC TYPE | DOC PART | REVISION | | | | | | | | | | | | | | | | | | | | | | | | | | | | | | | | | | | | | | | | | |
| ANGULAR TOL | ± 3.0 ° | 2188771000-SD | | PSD | 000 | B | | | | | | | | | | | | | | | | | | | | | | | | | | | | | | | | | | | | | | | | | |
| 4 PLACES | ± 0.03 | MATERIAL NUMBER | | CUSTOMER | | | | | | | | | | | | | | | | | | | | | | | | | | | | | | | | | | | | | | | | | | | |
| 3 PLACES | ± 0.03 | SEE SHEET-1 | | GENERAL | | | | | | | | | | | | | | | | | | | | | | | | | | | | | | | | | | | | | | | | | | | |
| 2 PLACES | ± 0.05 | SHEET NUMBER | | 2 OF 2 | | | | | | | | | | | | | | | | | | | | | | | | | | | | | | | | | | | | | | | | | | | |