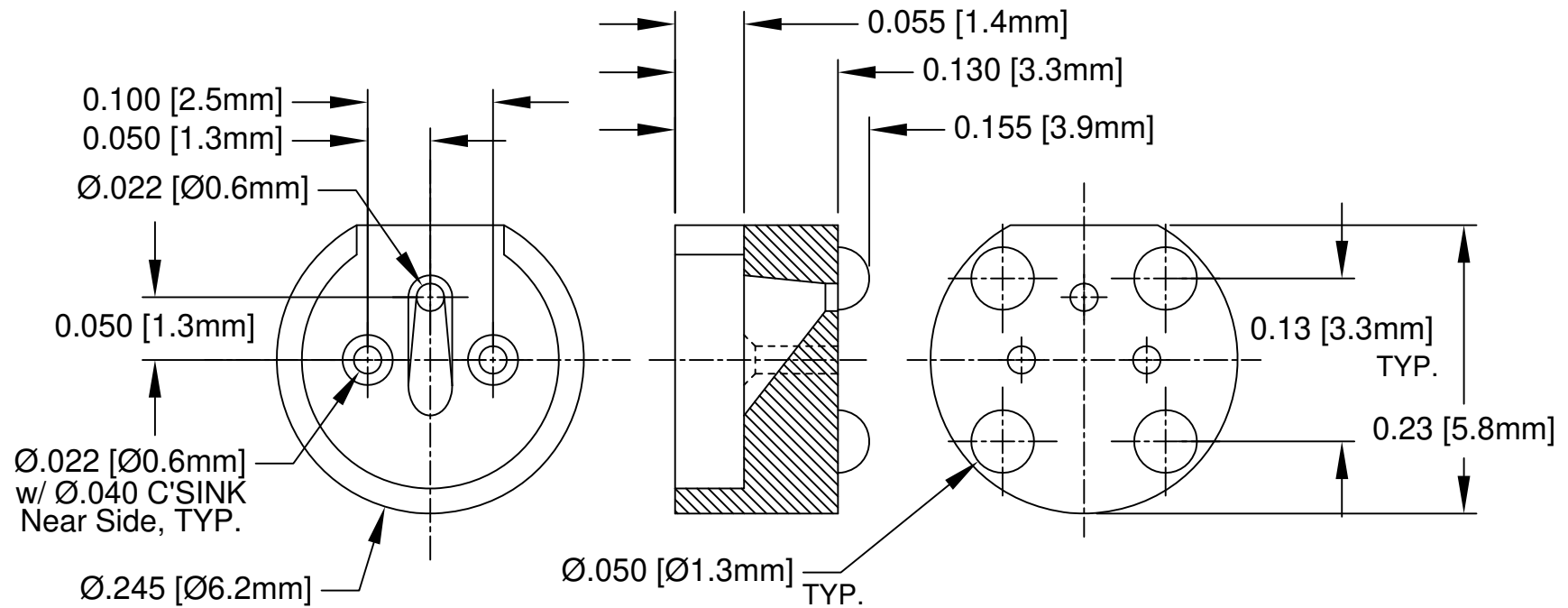


REV.	DESCRIPTION	DATE	APPROVED
B	Engineering Update w/o Changes	02/17/04	M. C.
C	Material Correction	08/05/04	M. C.
D	Added 03-NL Material	08/19/09	T. Y.
E	Removed Material Code	05/23/16	J. C.



2. MATERIAL: NYLON 6/6, 94V-2, NATURAL.

1. GENERAL SPECIFICATIONS: BIVAR MOLDED COMPONENT SPECIFICATION BV00-E101.

STANDARD TOLERANCE (UNLESS OTHERWISE SPECIFIED)		BIVAR®	
DECIMALS	ANGULAR	4 THOMAS, IRVINE, CA. 92618	
.X ± .1	X° ± 1°	TEL: (949) 951-8808 FAX: (949) 951-3974	
.XX ± .01		TITLE: PERM-O-PAD TO-18 MOUNT	
.XXX ± .005		PART NO: 215-130	
DESIGNED: S. Irving	DATE: 01/03/02	REVISION: E	
CHECKED: M. Chen	DATE: 01/03/02	CAGE CODE : 32559 SHEET # 1 OF 1	
CAD GENERATED DOCUMENT. DO NOT MEASURE DRAWING.			