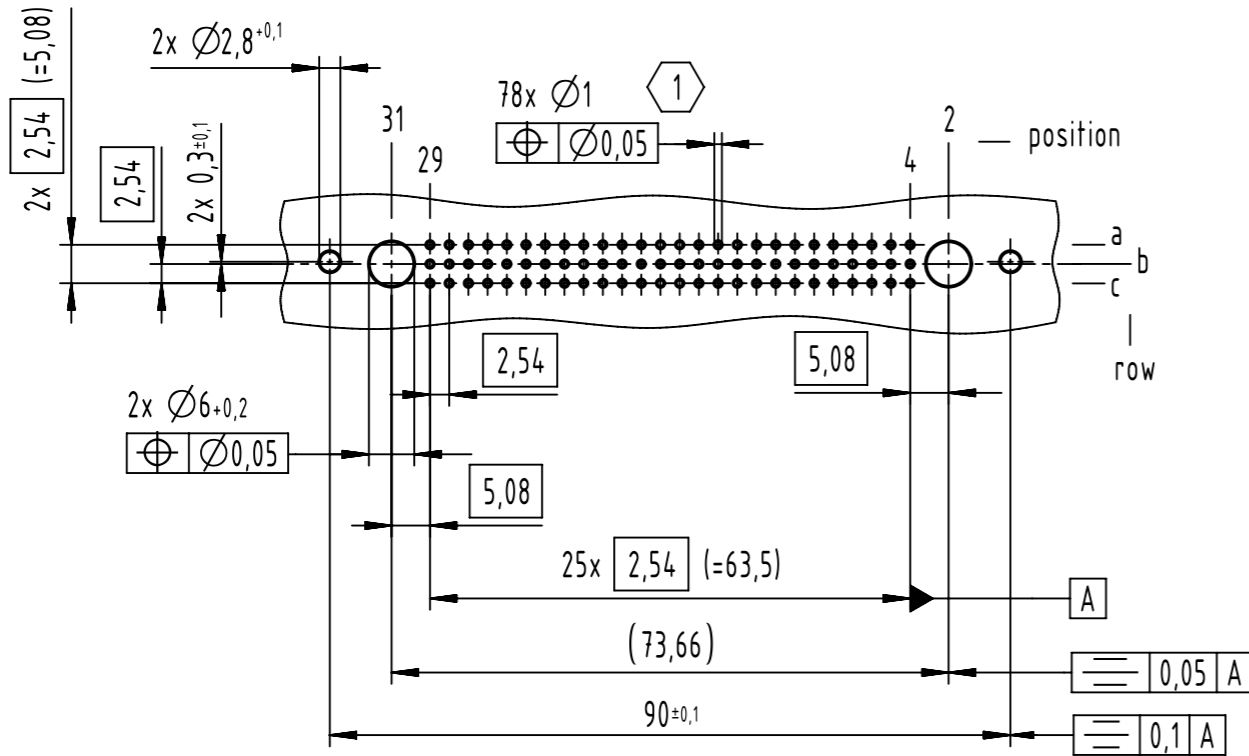
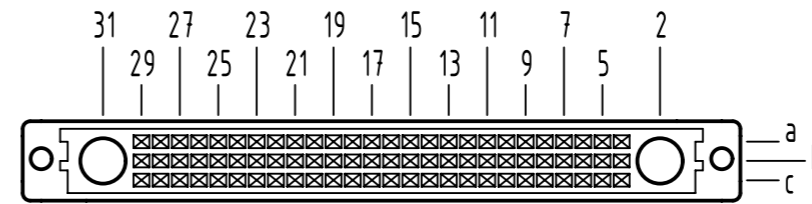


A
board drillings



A
contact arrangement

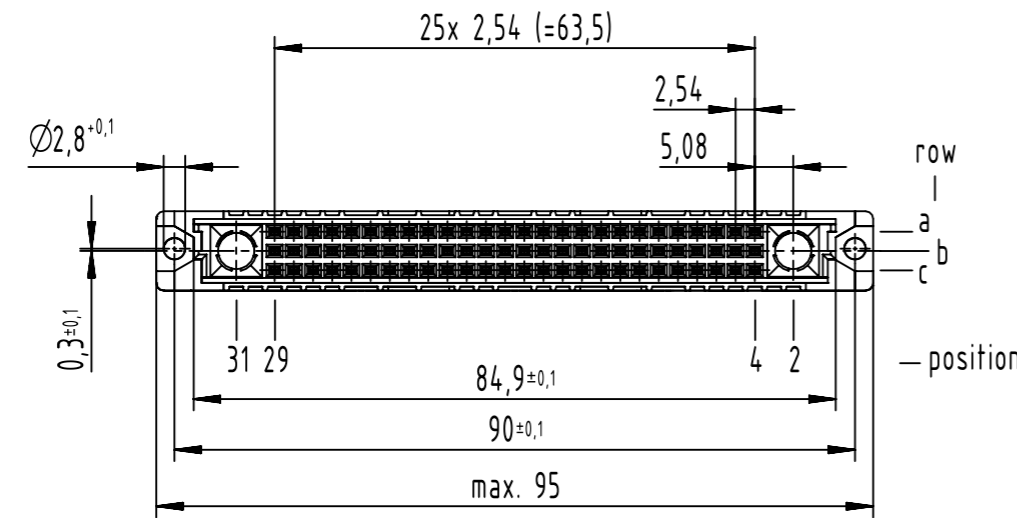
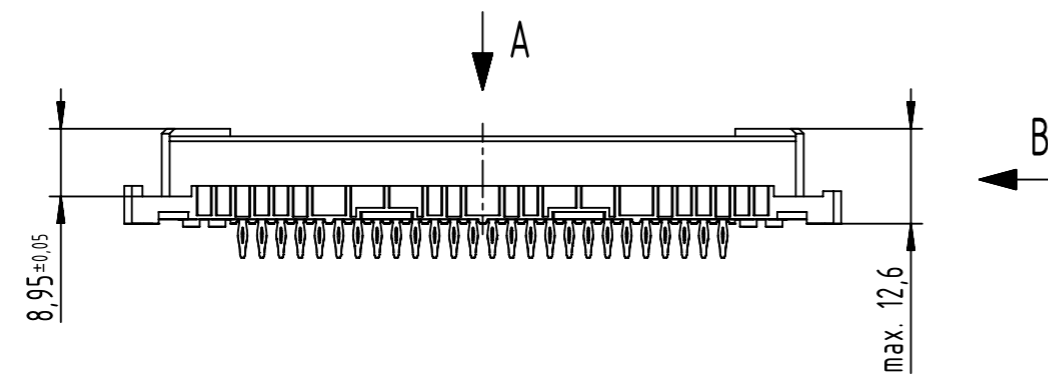
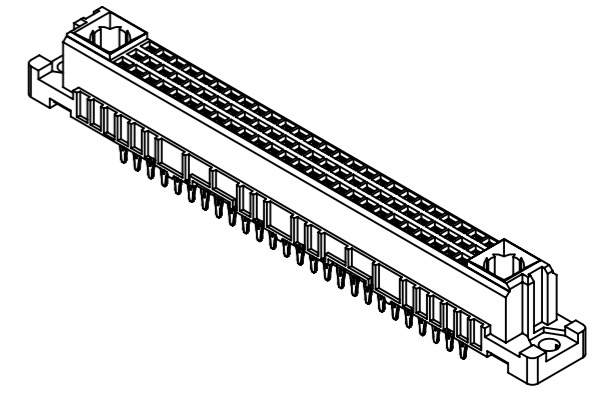
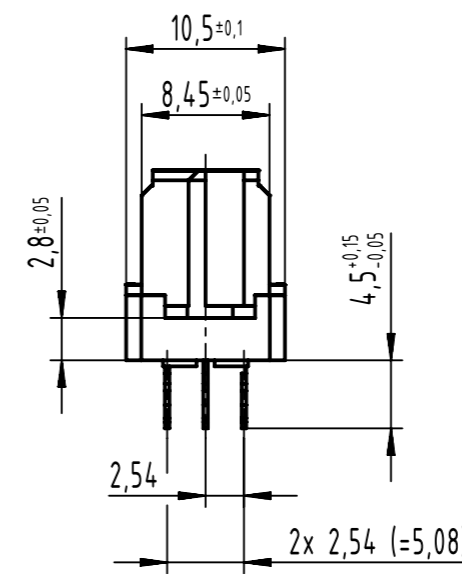


78 press-in contacts

\boxtimes = press-in contact

\square = position without contact

B (2:1)



1 recommended configuration of plated through holes and further information see product data sheet

09 03 278 6850	2
09 03 278 2850	1
part no.	performance level

<p>All rights reserved Department EL PD</p>	<p>All Dimensions in mm Original Size DIN A3</p>	<p>Scale 1:1</p>	<p>Free size tol. IEC 60603-2</p>	<p>Ref. Sub.</p>
	<p>Created by STORCK</p>	<p>Inspected by LEHNERT</p>	<p>Standardisation</p>	<p>Date 2021-09-22</p>
<p>HARTING D-32339 Espelkamp</p>	<p>Title DIN Signal type M78+2 female press-in 4.5 78-pole</p>	<p>Type TB</p>	<p>Number 0903278X850</p>	<p>Doc-Key / ECM-Nr. 100072218/UGD/071/E 500000202766</p>
				<p>Rev. E Page 1/1</p>