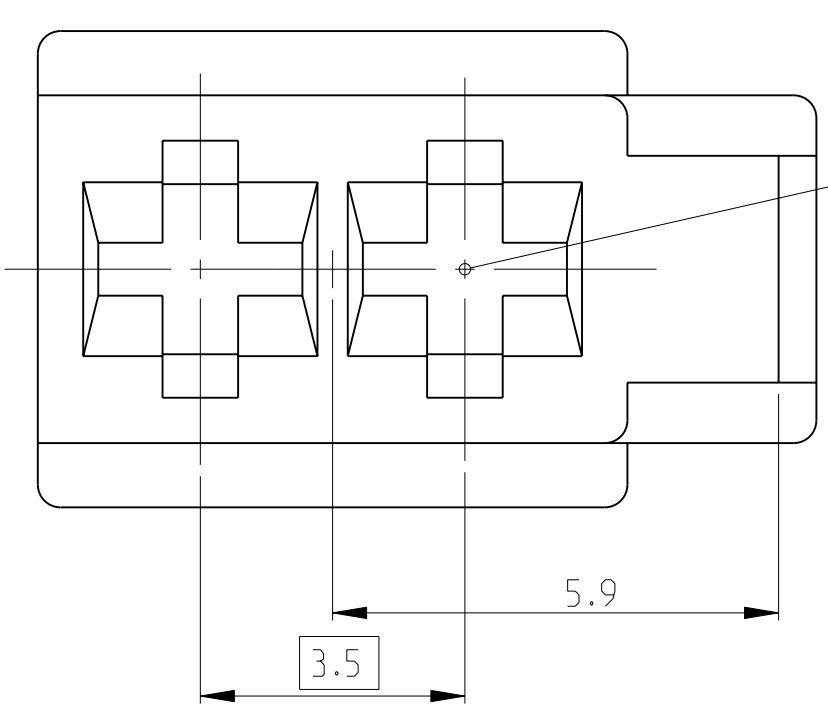
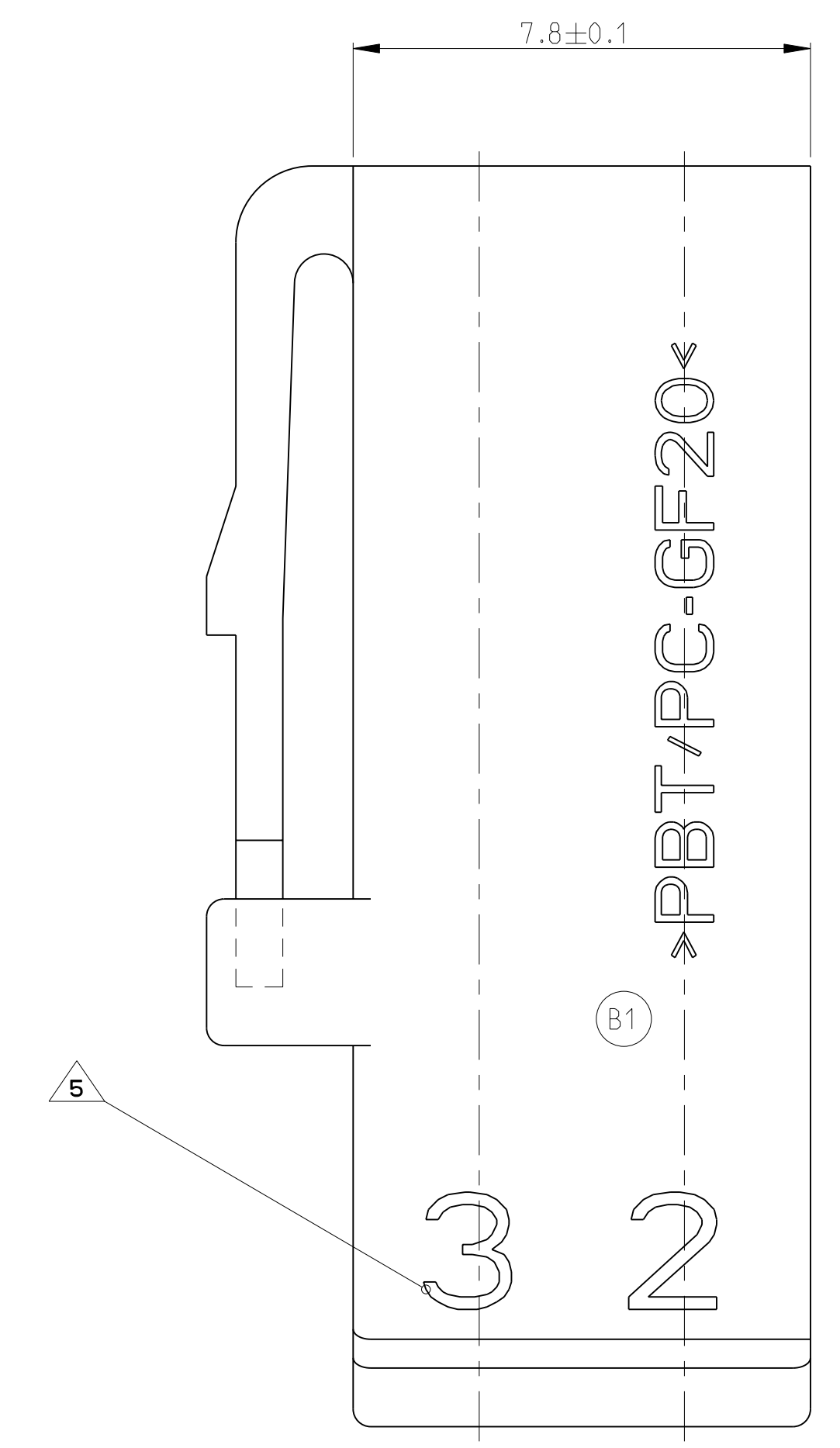
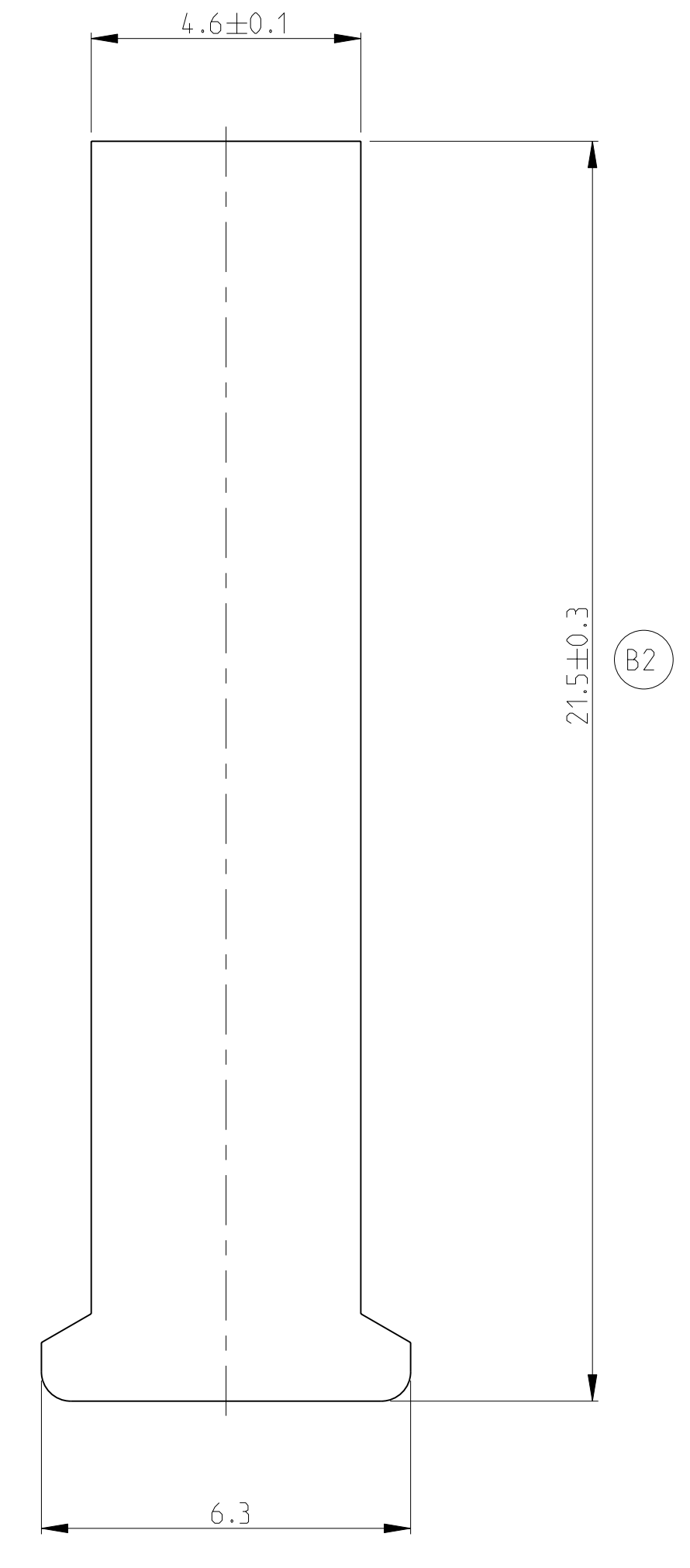
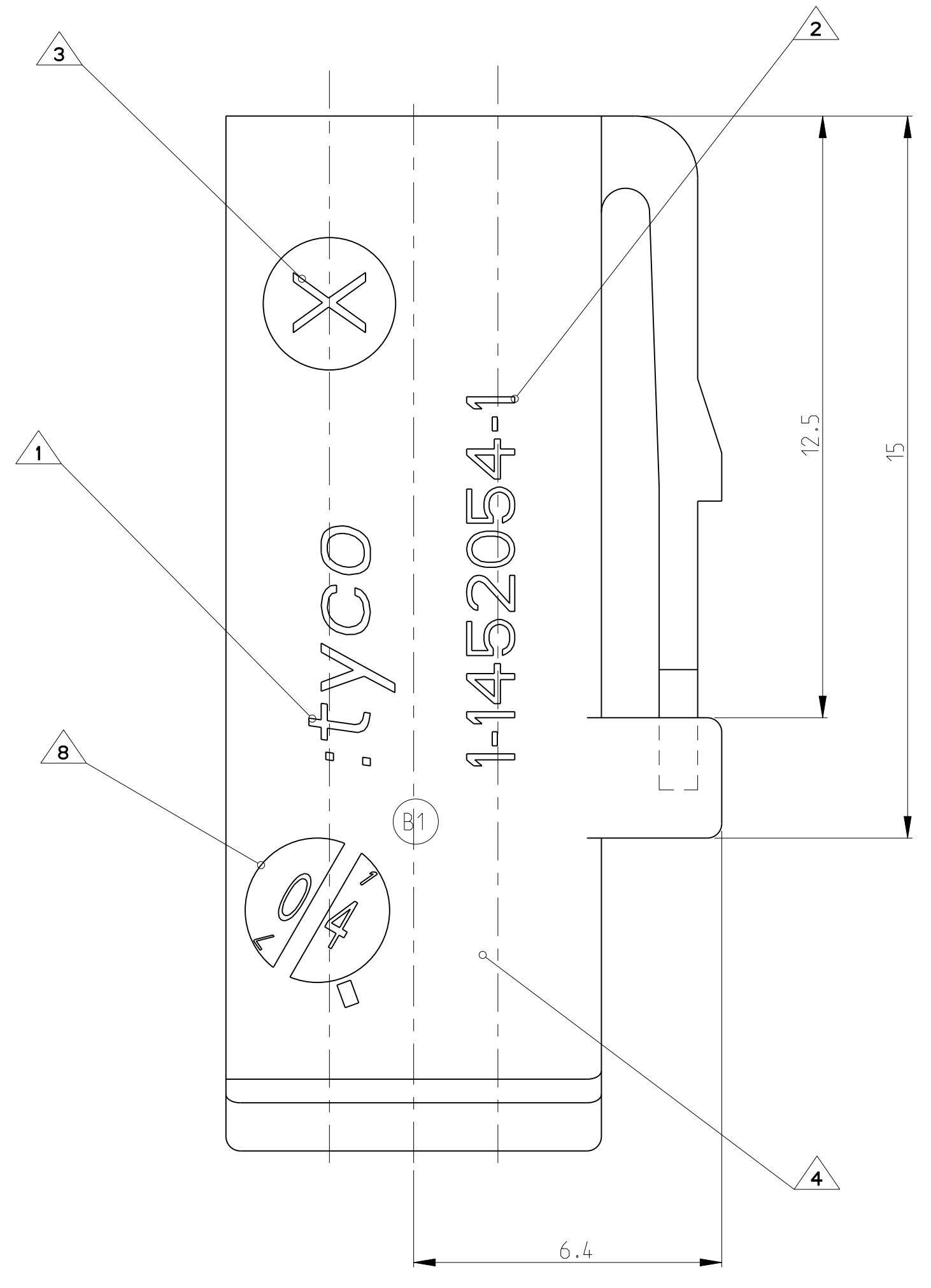
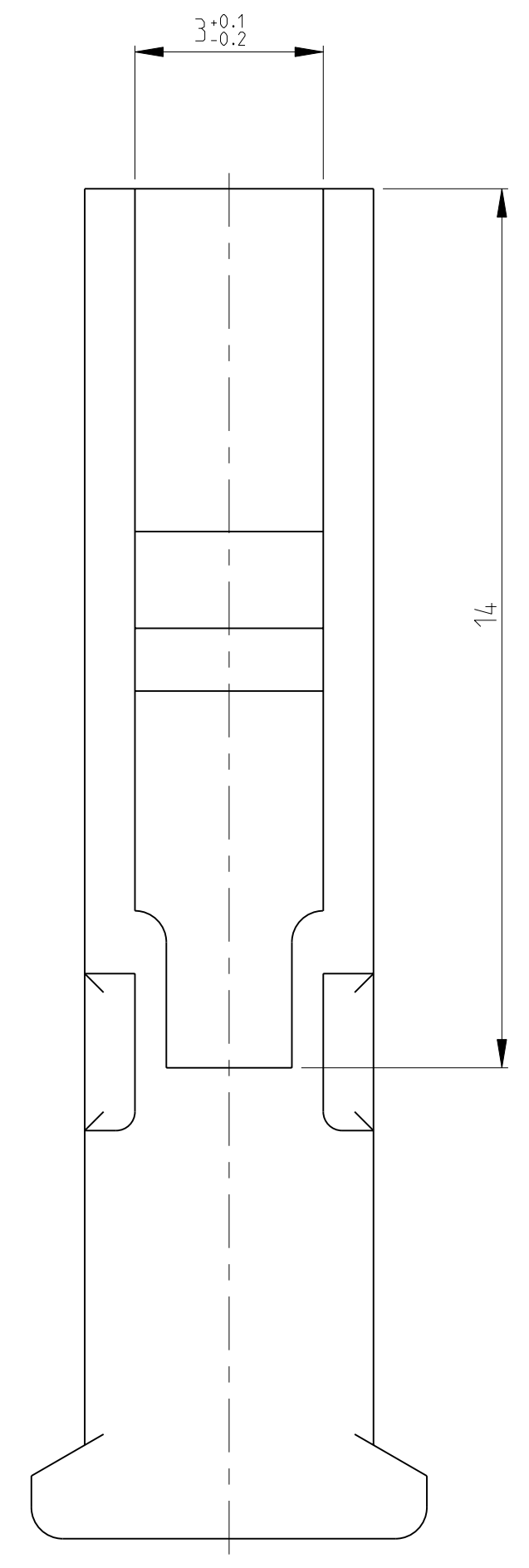
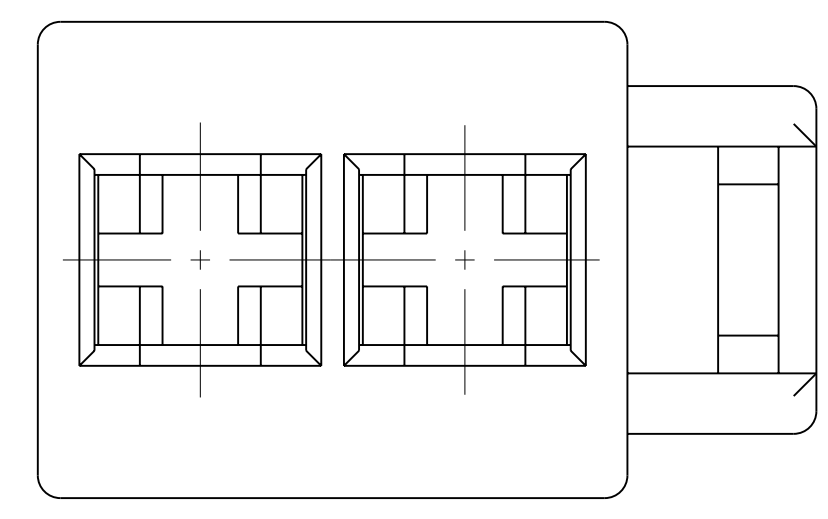


LOC	DIST	REV	LTB	DESCRIPTION	DATE	DWN	APVD
A1	-	A		SEE PCN EGA0-2726-00	15NOV2000	H.M.	T.K.
		B		SEE PCN EGA0-0704-04-3	18MAR2004	M.D.	V.B.
		B1		SEE PCN EGA0-0752-04-3	26MAR2004	SKH	V.B.
		B2		SEE E-09-020210	10SEP2009	FU	HR

- NOTES
Bemerkungen
- 1 tyco-TRADMARK
tyco-Warenzeichen
 - 2 ORDER - NUMBER
Bestell-Nummer
 - 3 REVISIONS - NUMBER
Werkzeug Änderungsindex
 - 4 CAVITY MARKING
Nestmarkierung
 - 5 CAVITY IDENTIFICATION
Kammerbezeichnung
 - 6 LOOSE PARTS PACKAGED IN CARTON
Verpackung, lose im Karton
 - 7 TOLERANCES UNLESS OTHERWISE SPECIFIED ±0.2
Toleranzen wenn nicht anders spezifiziert ±0.2
 - 8 PRODUCTION DATE WITH DATA INSERT
Produktionsdatum mit Datumstempel



CAVITY FOR WIRE RANGE MAX. 1.0 Sq. mm FLR-INSULATION DIAMETER 2.1-0.2 mm

CUSTOMER PART NO.	PART NO	REV	POS	DESCRIPTION	MATERIAL	WEIGHT (g)	COLOR	ITEM NO.
-	1-1452054-1	B	1	2POS. MT2 HOUSING	PBT/PC-GF20	0.8	BLACK	1

REVISION OF EACH ASSY NO (WHEN BLANK, USE DWG REVISION)

THIS DRAWING IS UNPUBLISHED. VERBAULICHE UNVERPENTLICHE ZEICHNUNG. RELEASED FOR PUBLICATION FOR: TIPO VERPENTLICHUNG. MATED WITH PASSEND ZU. COPYRIGHT © BY TYCO ELECTRONICS CORPORATION. ALL RIGHTS RESERVED. ALLE RECHTE VORBEHALTEN.		DWN: H. Meinhardt CHK: T. Kilian APVD: -	DATE: 15NOV2000 NAME: -	tyco Electronics tyco Electronics AMP GmbH 0-64625 Bensheim
DIMENSIONS: MASSENMESSEN: mm		TOLERANCES: UNLESS OTHERWISE SPECIFIED: ALLGEMEINTOLERANZEN		PRODUCT SPEC: - APPLICATION SPEC: - VERARBEITUNGSPEZ: -
MATERIAL: -		FINISH/SCHLÜSSEL/FARBE: -		WEIGHT: - GEWICHT: -
QTY REQD PER ASSY: -		PARTS LIST: -		CUSTOMER DRAWING: - /KUNDENZEICHNUNG: -