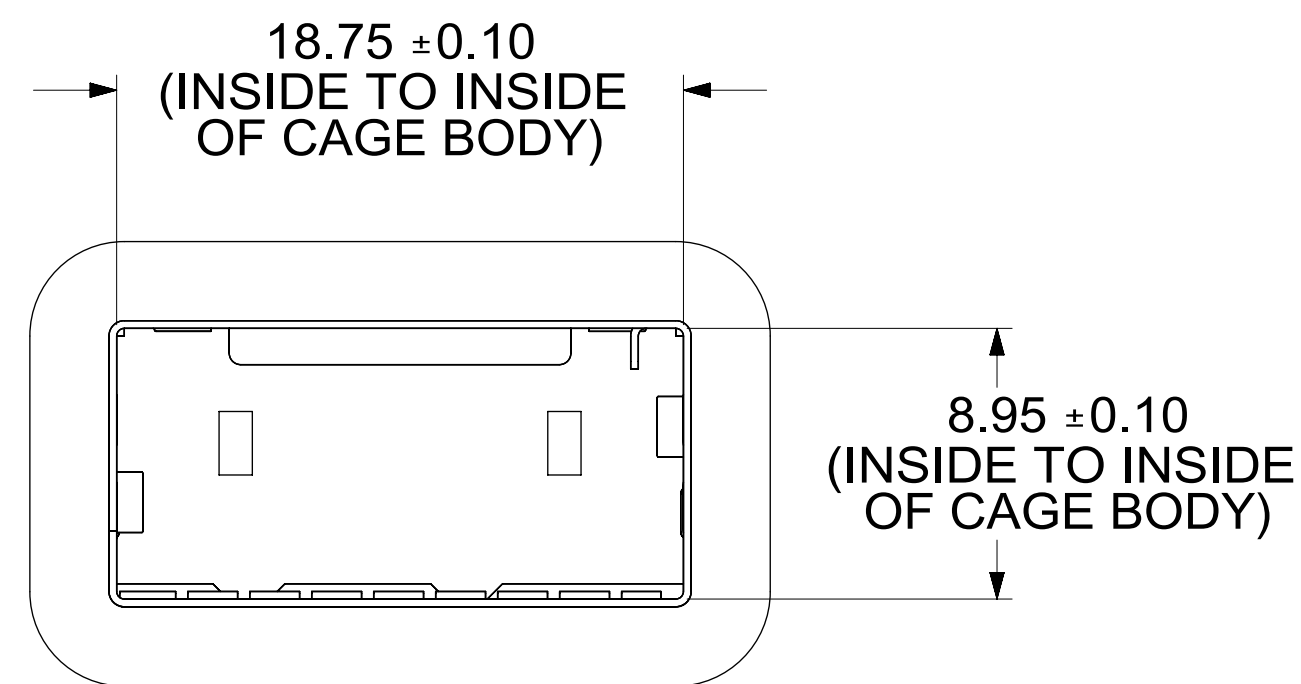
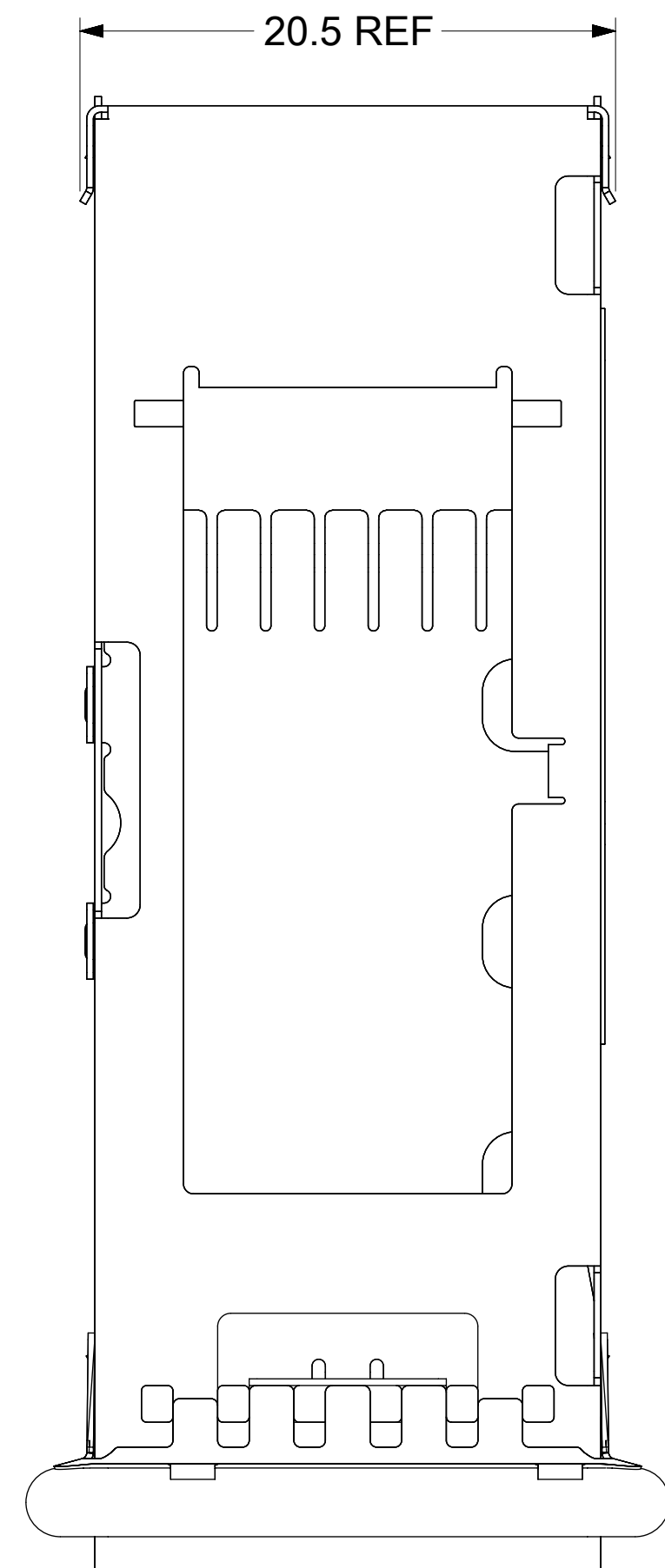
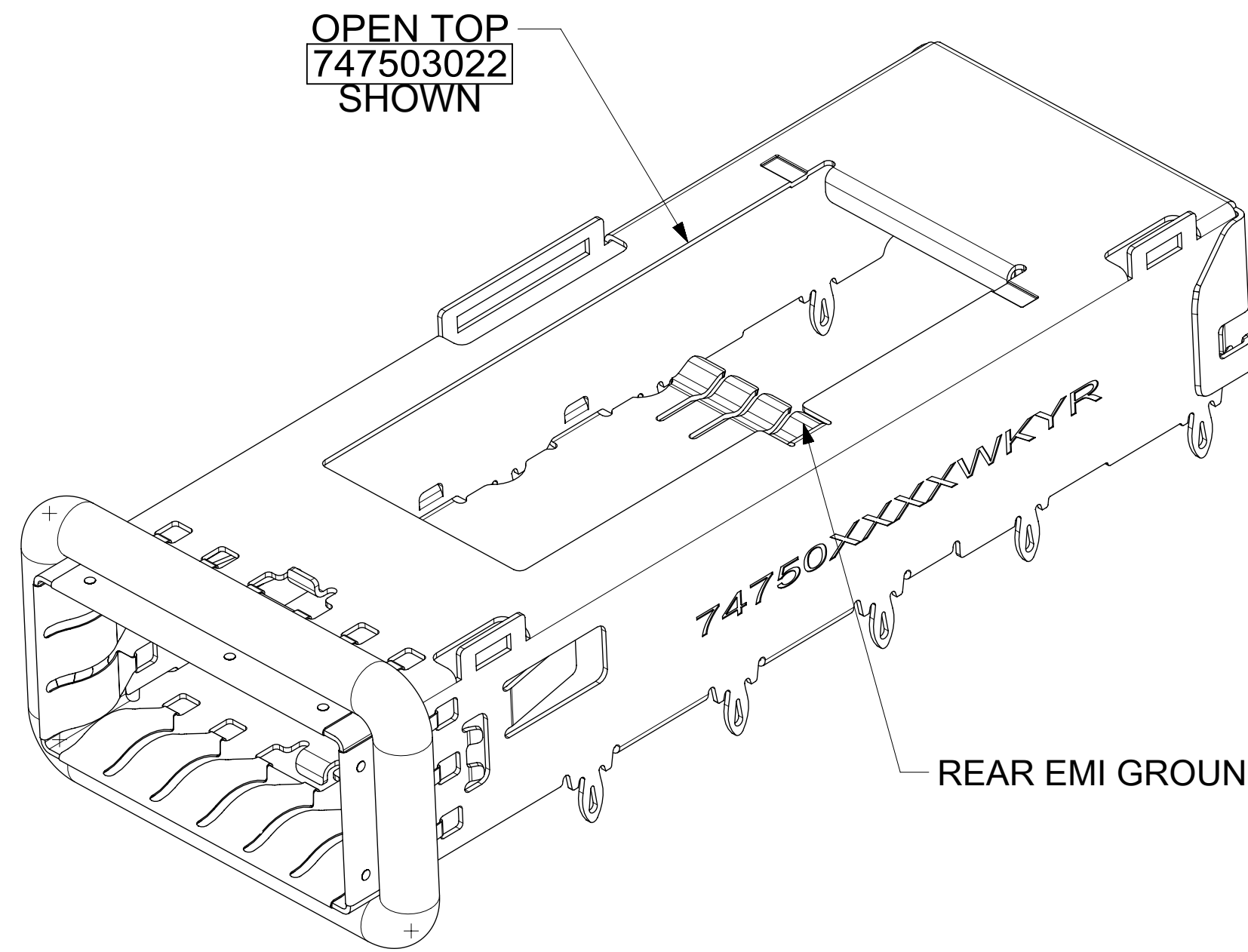


# CAGE DETAILS

(APPLIES TO ALL CAGES IN THIS DRAWING)

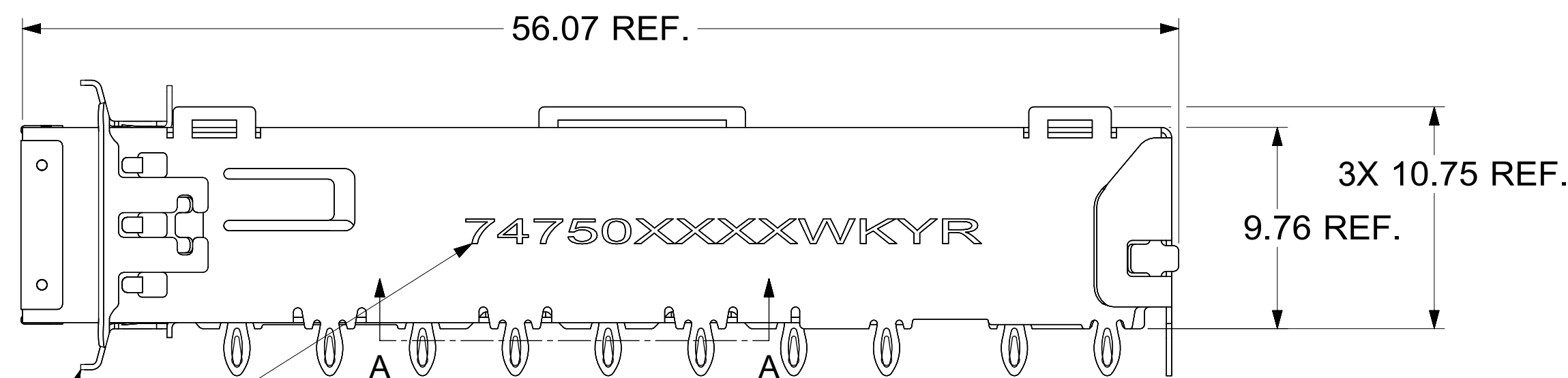
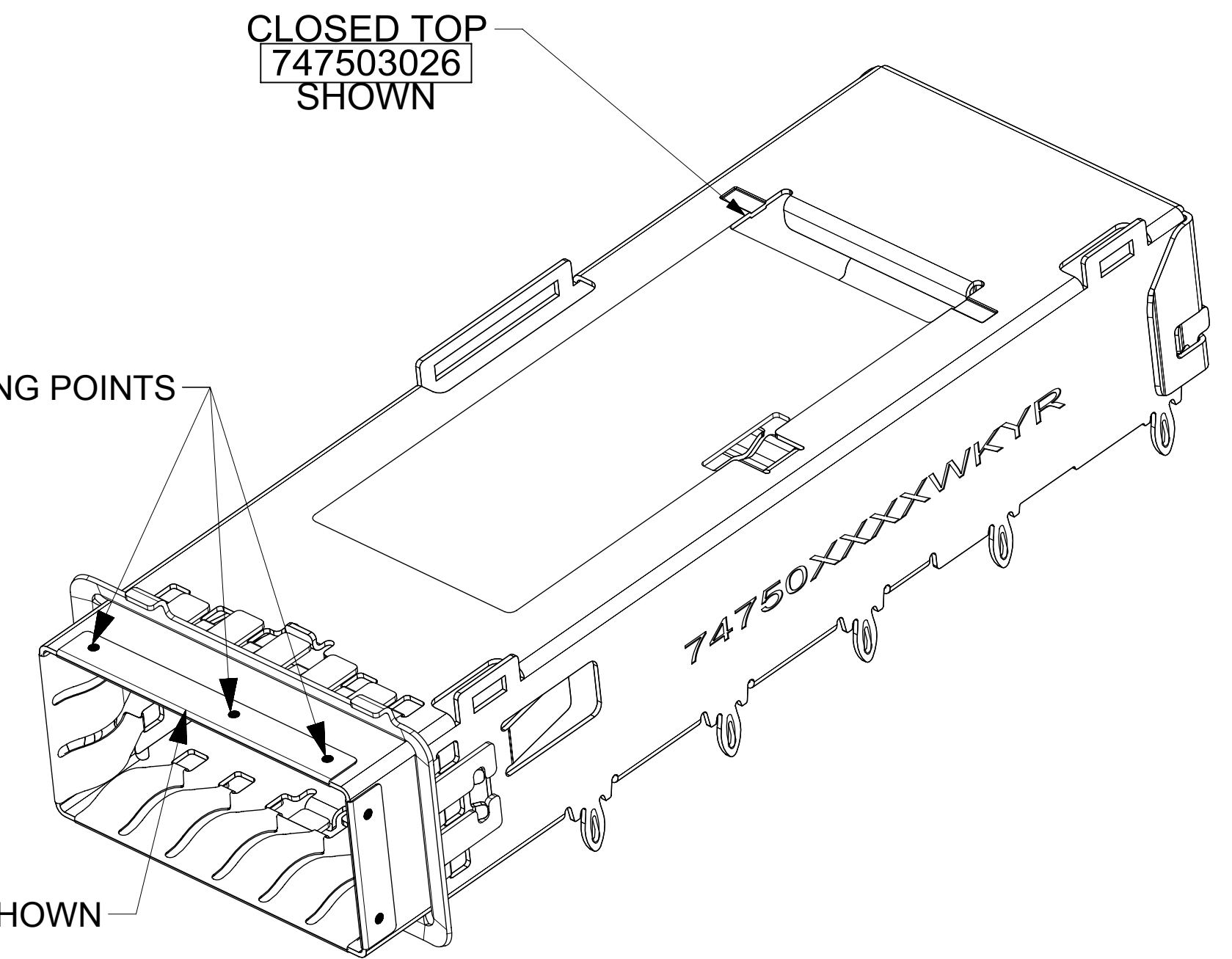


NOTE:  
INTERNAL SPRING FINGERS  
REMOVED FROM THIS VIEW FOR CLARITY.



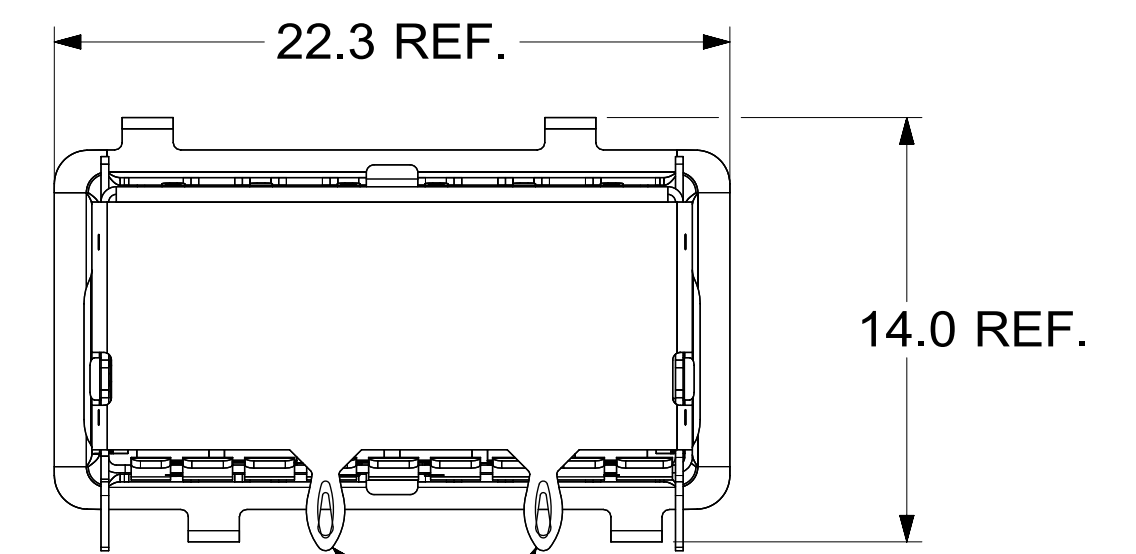
LASER WELDING POINTS  
(SEE NOTE 7)

GASKET NOT SHOWN  
FOR CLARITY



GASKET NOT SHOWN  
FOR CLARITY

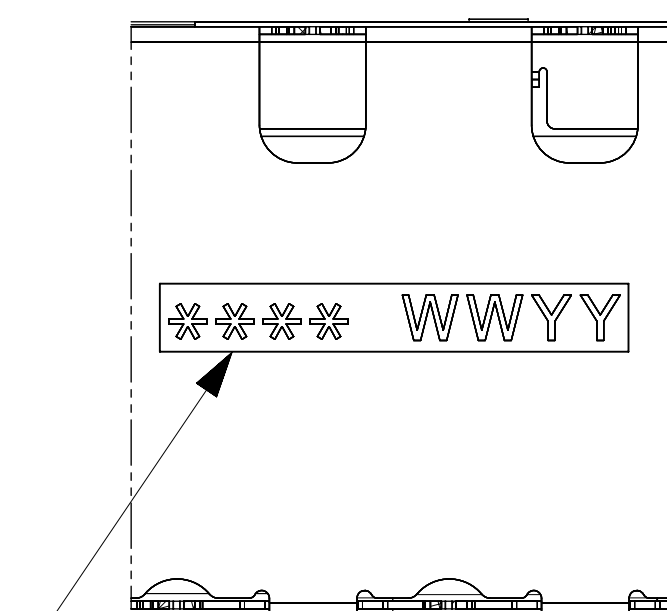
PN/DATE CODE TO BE PRINTED ON THE SIDE OF  
COMPLETED CAGE ASSEMBLY APPROXIMATELY AS SHOWN.  
SEE TABLE BELOW FOR DATE CODE INFORMATION.



REAR PINS ARE OPTIONAL  
(SEE CHART)

NOTE:  
GASKET REMOVED FROM THIS  
VIEW FOR CLARITY.

WEEK/YEAR DATE CODE TABLE	
WK	WEEK OF THE YEAR 01 THRU 52 (EXAMPLE: 01= FIRST WEEK OF YEAR 52= LAST WEEK OF YEAR)
YR	22, 23, 24 ETC.. (EXAMPLE: YEAR 2022= 22)



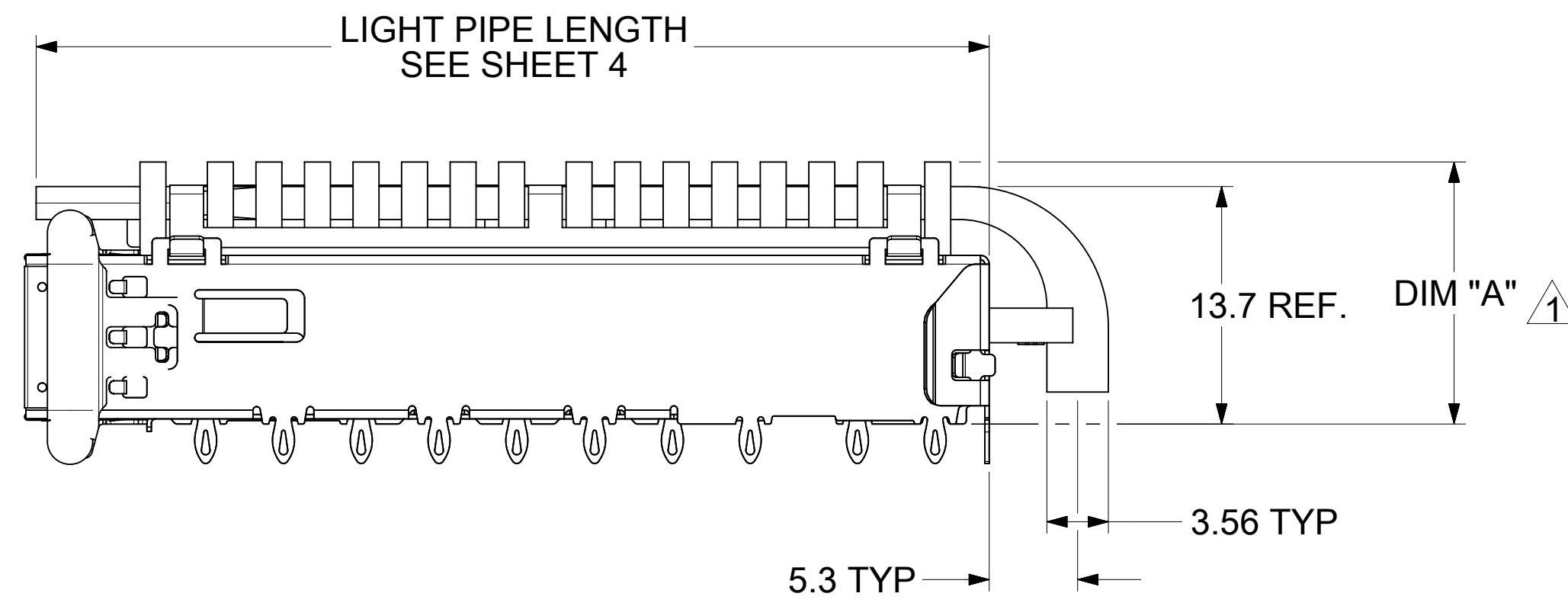
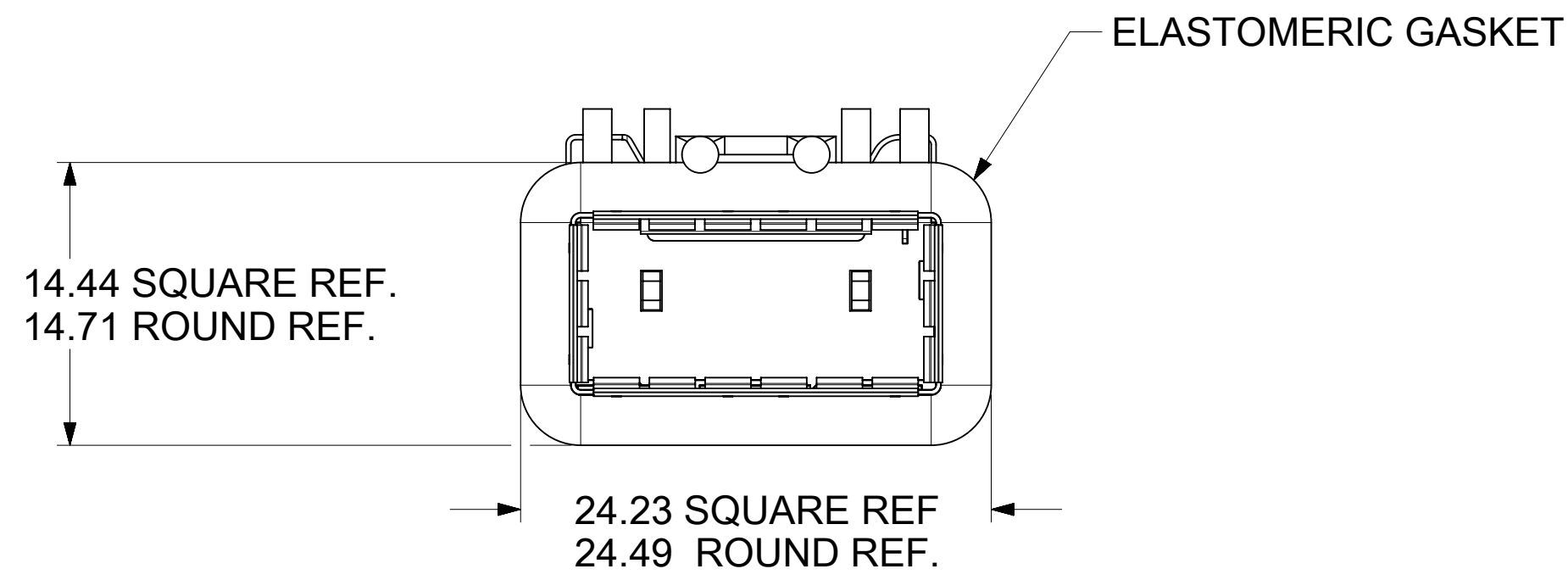
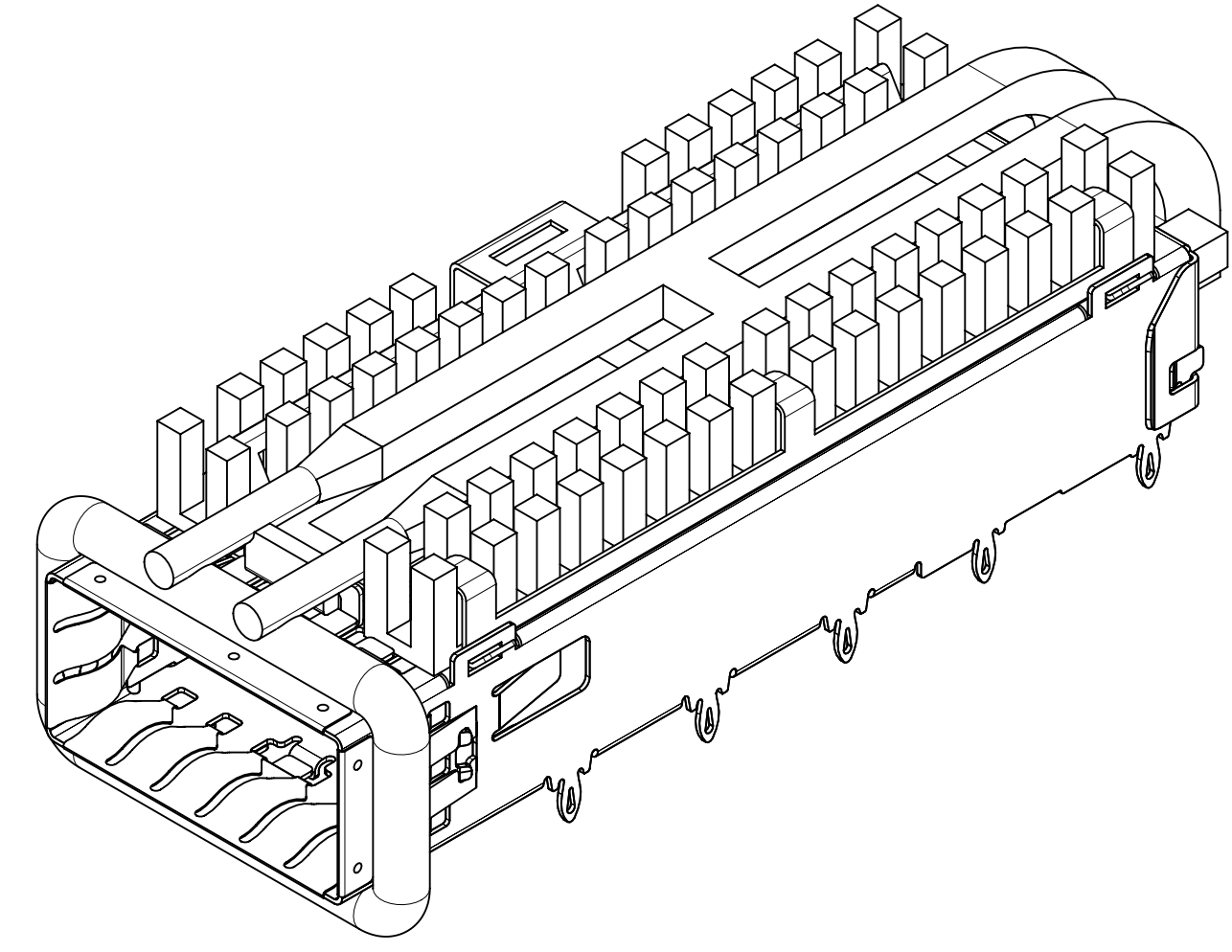
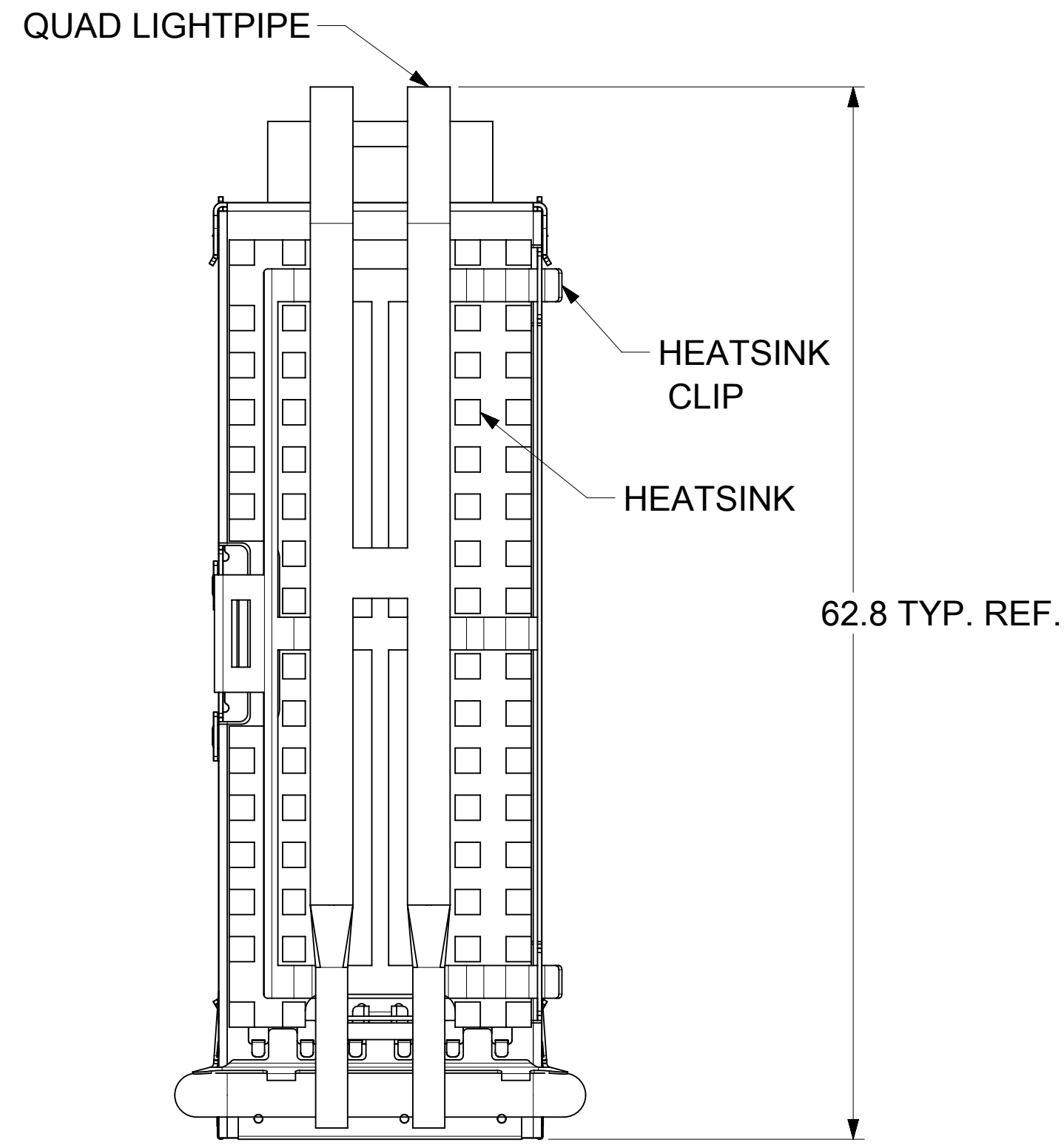
MOLEX INTERNAL USE

## SECTION A-A

- NOTES:
- PRESS FIT LEGS 2.28mm LONG
  - MATERIAL:  
CAGE: 0.25mm THICK COPPER ALLOY, NICKEL PLATED  
SPRING FINGERS: STAINLESS STEEL  
LIGHT PIPE/HEAT SINK CLIP: STAINLESS STEEL  
LIGHT PIPES: POLYCARBONATE (UL 94-V0 RATED)  
HEATSINKS: ALUMINUM (BLACK ANNOXIDIZED)  
ELASTOMERIC GASKET: SILICON, COLOR BLACK
  - CUSTOM HEATSINKS AVAILABLE UPON REQUEST
  - QSFP+ ASSEMBLES ALSO AVAILABLE IN 1X2 (74767 SERIES),  
1X3 (74768 SERIES), 1X4 (74769 SERIES) AND 1X6 (74771 SERIES).
  - PACKAGED IN TRAYS.
  - NO RoHS EXEMPTIONS.
  - WELD SPOTS MAY SHOW SLIGHT MATERIAL DISCOLORATION

THIS DRAWING CONTAINS INFORMATION THAT IS PROPRIETARY TO MOLEX ELECTRONIC TECHNOLOGIES, LLC AND SHOULD NOT BE USED WITHOUT WRITTEN PERMISSION												
DIMENSION UNITS		SCALE		CURRENT REV DESC: SEE REV TABLE.								
mm		1:1										
GENERAL TOLERANCES (UNLESS SPECIFIED)				EC NO: 735397		2022/10/19		QSFP+ 1X1 CAGE ASSEMBLY W / ELASTOMERIC GASKET, SUS INNER SPRING FINGER (ROUND & SQUARE)				
ANGULAR TOL ± 1.0°				DRWN: VISHNM2		2023/01/18						
4 PLACES ±				CHK'D: PRARTP		2023/01/18		PRODUCT CUSTOMER DRAWING				
3 PLACES ±				APPR: SCHIEN		2023/01/18						
2 PLACES ± 0.13				INITIAL REVISION:				DOCUMENT NUMBER		DOC TYPE	DOC PART	REVISION
1 PLACE ± 0.25				DRWN: PKH		2022/05/27		747503022		PSD	ASY	A1
0 PLACES ±				APPR: SCHIEN		2022/07/07		SEE SHEET 4				
DRAFT WHERE APPLICABLE MUST REMAIN WITHIN DIMENSIONS				THIRD ANGLE PROJECTION		DRAWING		SERIES		SHEET NUMBER		
				D-SIZE		74750		1 OF 9				

# CAGE ASSEMBLY OPTIONS



## HEATSINK HEIGHT OPTIONS

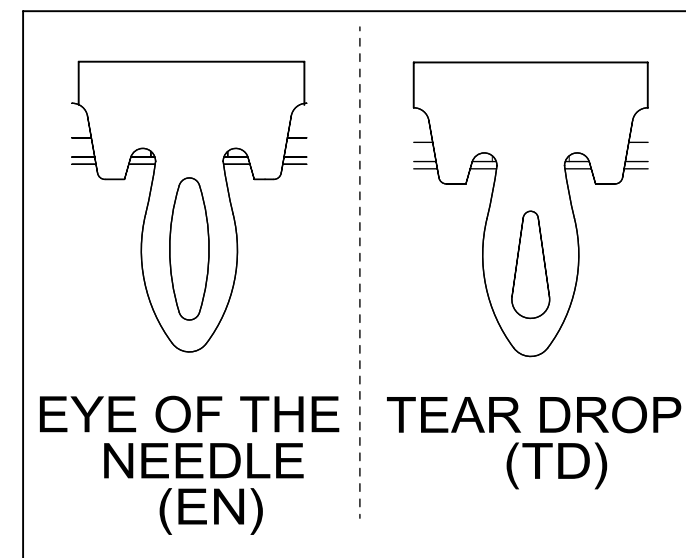
OVERALL HEATSINK HEIGHT	DIM 'A'	TOL
PCI	13.7	+0.25
SAN	16.0	
NET	23.0	-0.73
CUSTOM	21.0	

<sup>1</sup> HEIGHT OF HEATSINK WITH MODULE INSERTED. DIMENSION MAY BE LESS DUE TO MODULE AND HEATSINK VARIATIONS.

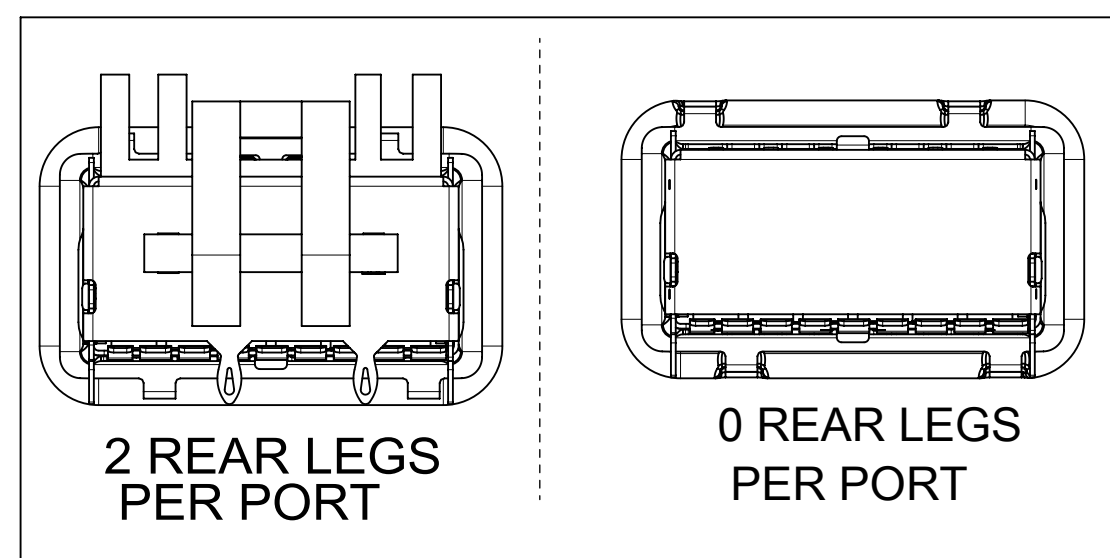
THIS DRAWING CONTAINS INFORMATION THAT IS PROPRIETARY TO MOLEX ELECTRONIC TECHNOLOGIES, LLC AND SHOULD NOT BE USED WITHOUT WRITTEN PERMISSION

DIMENSION UNITS <b>mm</b>	SCALE <b>3:1</b>	CURRENT REV DESC: SEE REV TABLE.	
GENERAL TOLERANCES (UNLESS SPECIFIED)		EC NO: 735397	
ANGULAR TOL ± 1.0°		DRWN: VISHNM2	2022/10/19
4 PLACES ±		CHK'D: PRARTP	2023/01/18
3 PLACES ±		APPR: SCHIEN	2023/01/18
2 PLACES ± 0.13		INITIAL REVISION:	
1 PLACE ± 0.25		DRWN: PKH	2022/05/27
0 PLACES ±		APPR: SCHIEN	2022/07/07
DRAFT WHERE APPLICABLE MUST REMAIN WITHIN DIMENSIONS		THIRD ANGLE PROJECTION	DRAWING
			<b>D-SIZE</b>
		SERIES	<b>74750</b>
		MATERIAL NUMBER	SEE SHEET 4
		CUSTOMER	
		DOCUMENT NUMBER	<b>747503022</b>
		DOC TYPE	PSD
		DOC PART	ASY
		REVISION	<b>A1</b>
		SHEET NUMBER	2 OF 9

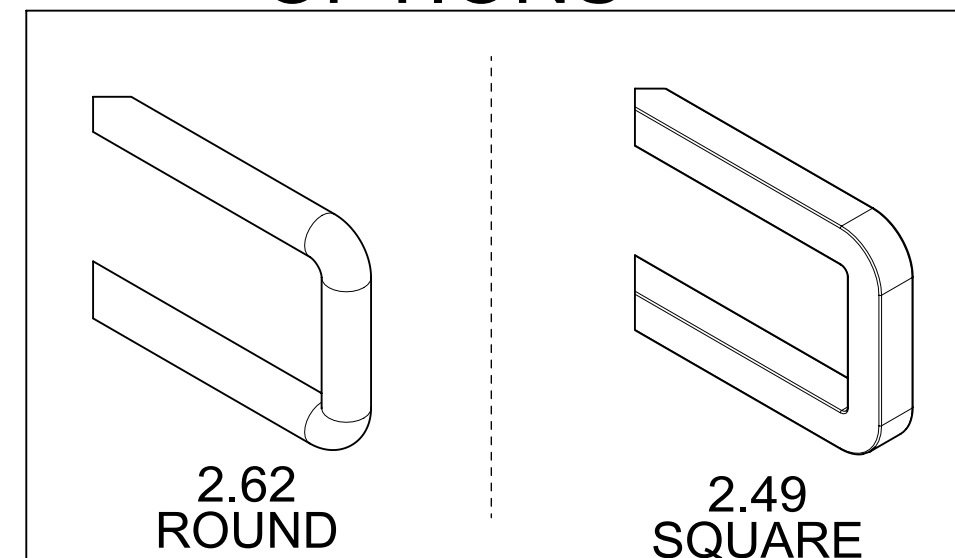
## LEG OPTIONS



## REAR LEG OPTIONS



## ELASTOMERIC GASKET OPTIONS



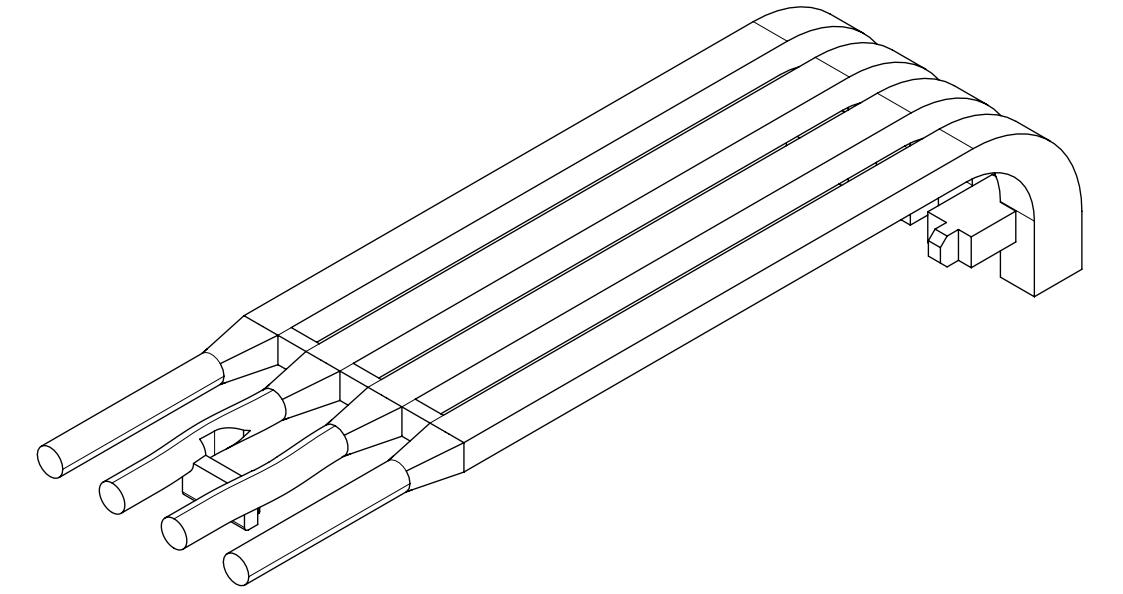
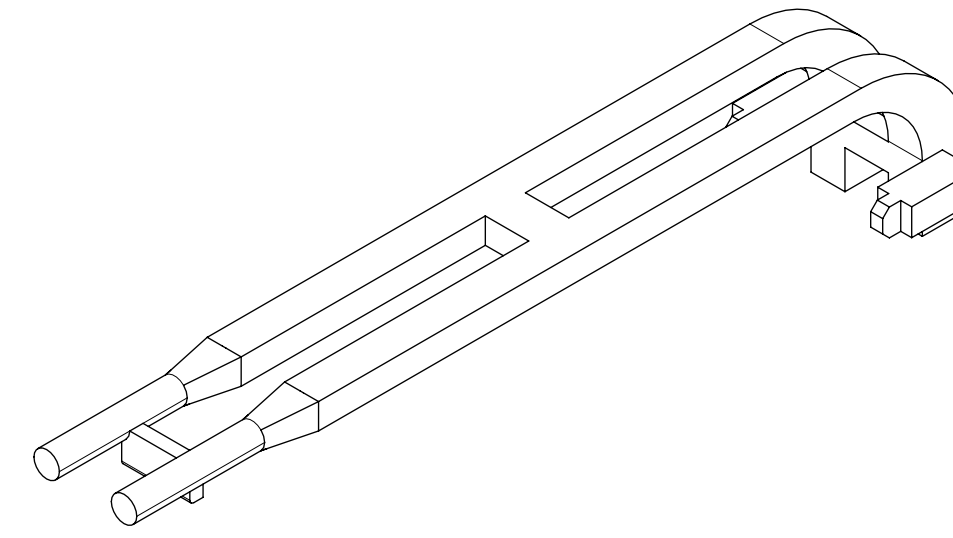
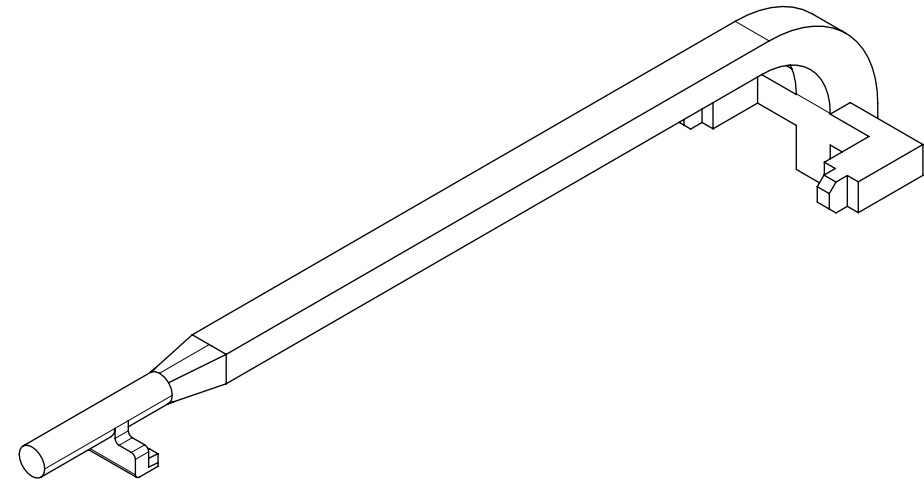
# HEATSINK AND LIGHT PIPE OPTIONS

HEATSINK ONLY

SINGLE LIGHT PIPE

DUAL LIGHT PIPE

QUAD LIGHT PIPE

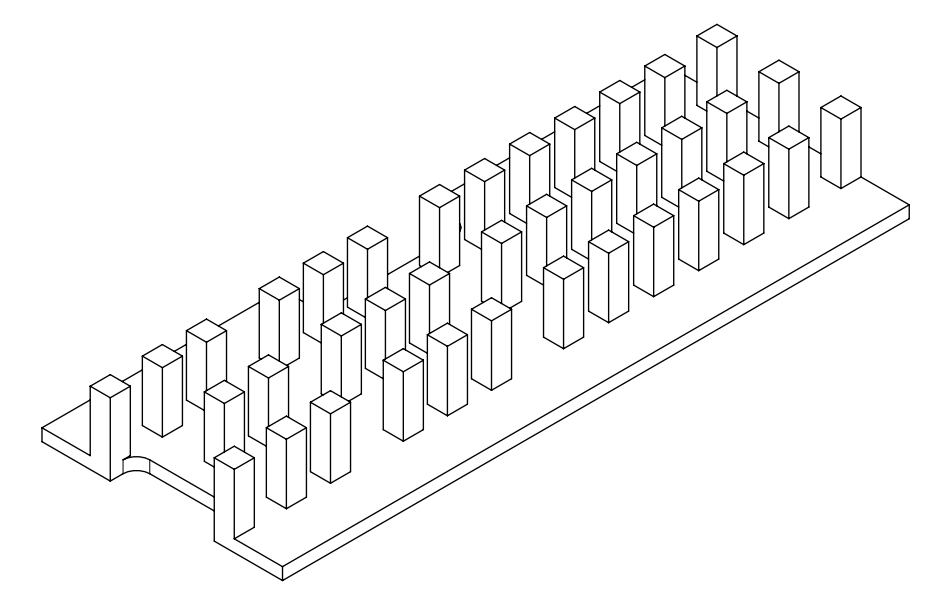
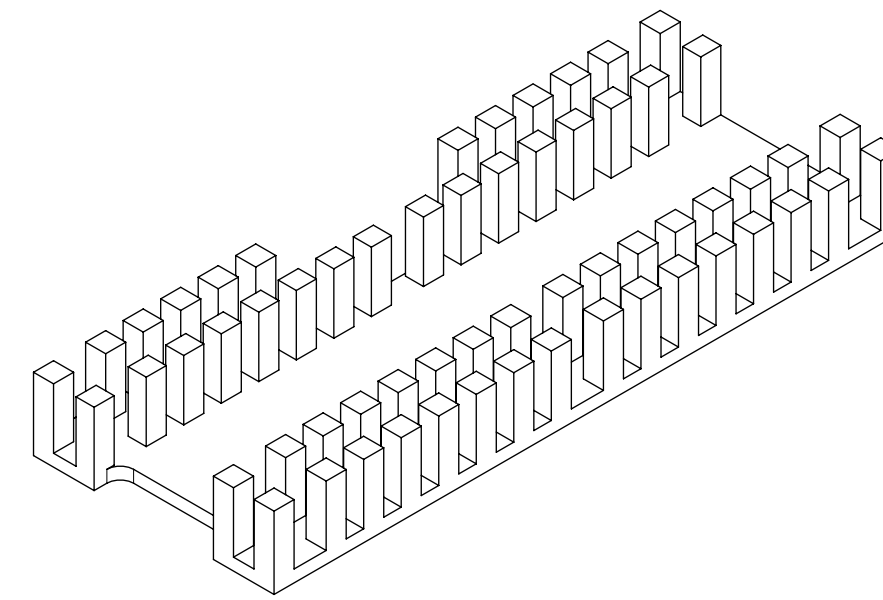
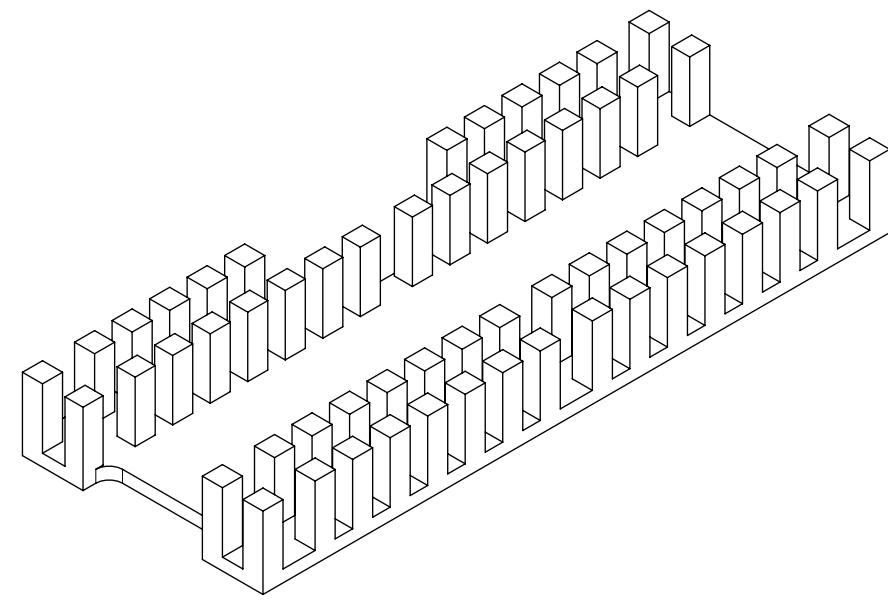
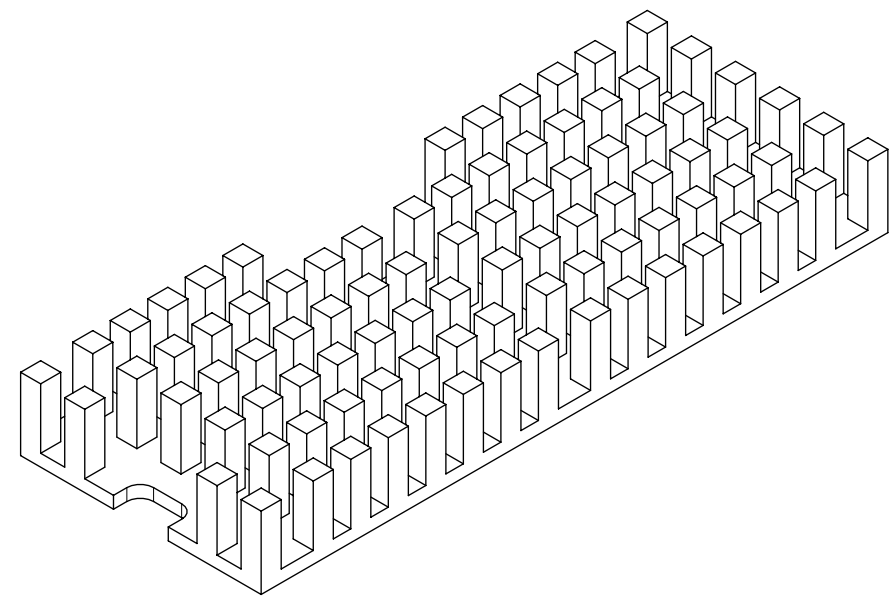


PIN FIELD HEATSINK FOR NO LIGHT PIPE

PIN FIELD HEATSINK FOR SINGLE LIGHT PIPE

PIN FIELD HEATSINK FOR DUAL LIGHT PIPE

PIN FIELD HEATSINK FOR QUAD LIGHT PIPE



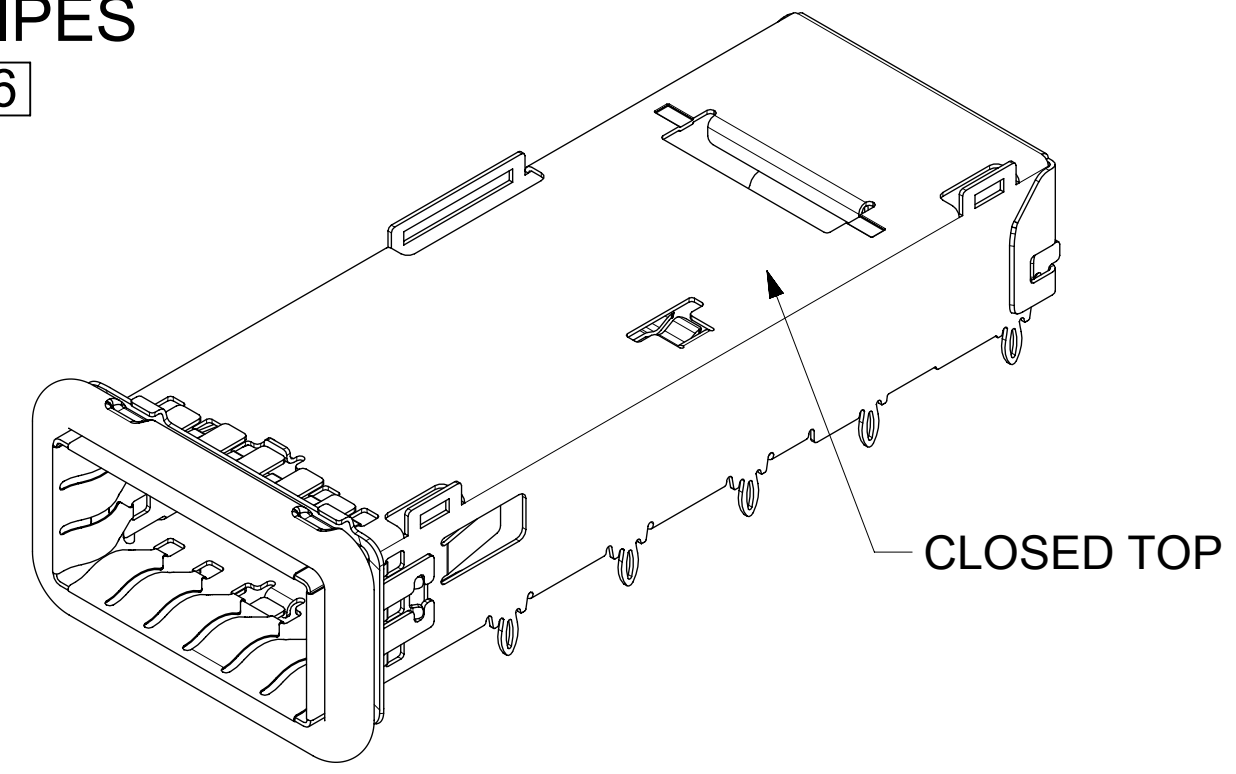
NOTES:  
 1. MATERIALS:  
 LIGHT PIPE: LEXAN 940A  
 HEATSINK: ALUMINUM (BLACK ANNOXIDIZED)

THIS DRAWING CONTAINS INFORMATION THAT IS PROPRIETARY TO MOLEX ELECTRONIC TECHNOLOGIES, LLC AND SHOULD NOT BE USED WITHOUT WRITTEN PERMISSION												
DIMENSION UNITS		SCALE		CURRENT REV DESC: SEE REV TABLE.								
mm		2.5:1										
GENERAL TOLERANCES (UNLESS SPECIFIED)				EC NO: 735397								
ANGULAR TOL ± 1.0°				DRWN: VISHNM2		2022/10/19		QSFP+ 1X1 CAGE ASSEMBLY W / ELASTOMERIC GASKET, SUS INNER SPRING FINGER (ROUND & SQUARE)				
4 PLACES ±				CHK'D: PRARTP		2023/01/18						
3 PLACES ±				APPR: SCHIEN		2023/01/18		PRODUCT CUSTOMER DRAWING				
2 PLACES ± 0.13				INITIAL REVISION:				DOCUMENT NUMBER		DOC TYPE	DOC PART	REVISION
1 PLACE ± 0.25				DRWN: PKH		2022/05/27		747503022		PSD	ASY	A1
0 PLACES ±				APPR: SCHIEN		2022/07/07		MATERIAL NUMBER		CUSTOMER		SHEET NUMBER
DRAFT WHERE APPLICABLE MUST REMAIN WITHIN DIMENSIONS				THIRD ANGLE PROJECTION		DRAWING		SERIES		SEE SHEET 4		3 OF 9
						D-SIZE		74750				

DOCUMENT STATUS	P1	RELEASE DATE	2023/01/18	07:47:29
-----------------	----	--------------	------------	----------

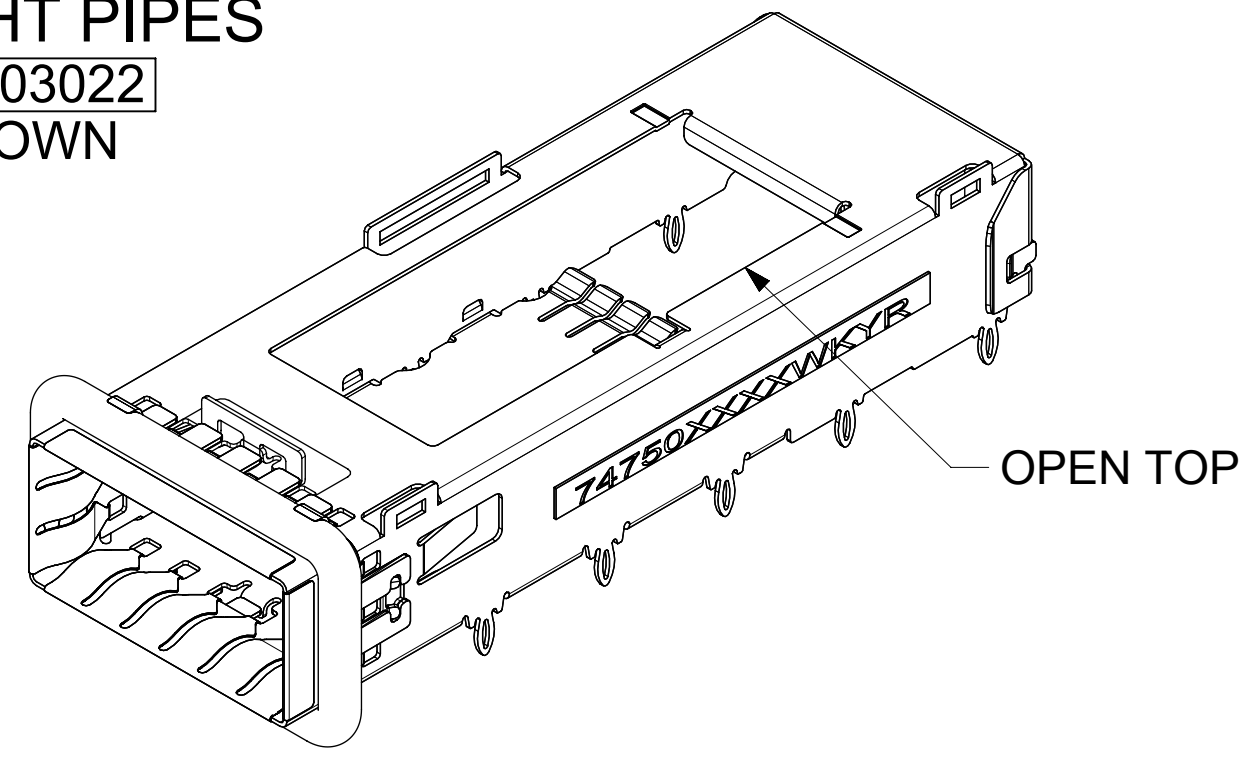
# PART NUMBER SELECTION

NO HEATSINKS  
NO LIGHT PIPES  
747503026  
SHOWN



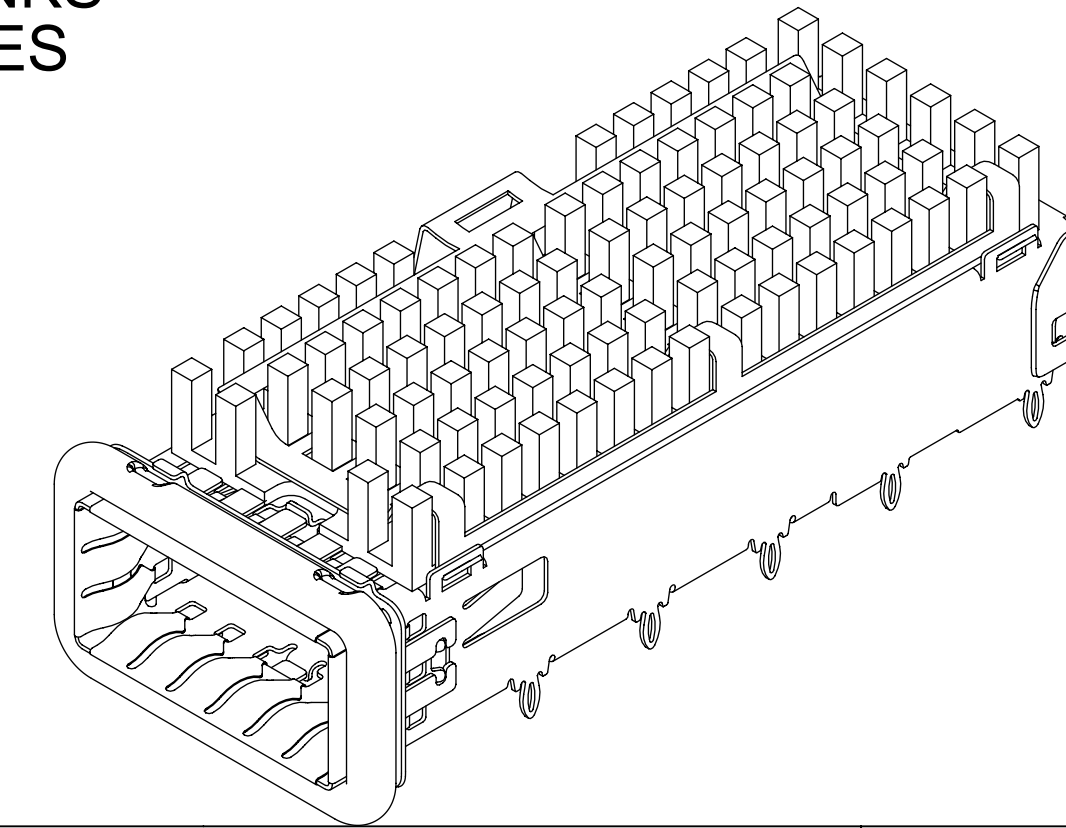
MOLEX P/N		LEG TYPE	# OF REAR LEGS PER PORT
WITH 2.62 REF ROUND ELASTOMERIC GASKET	WITH 2.49 REF SQUARE ELASTOMERIC GASKET		
747503026	---	EN	2

NO HEATSINKS  
NO LIGHT PIPES  
747503022  
SHOWN



MOLEX P/N		LEG TYPE	# OF REAR LEGS PER PORT
WITH 2.62 REF ROUND ELASTOMERIC GASKET	WITH 2.49 REF SQUARE ELASTOMERIC GASKET		
747503022	---	EN	2
747503025	---	EN	-
747503094	---	EN	2
747503200	---	TD	2

WITH HEATSINKS  
NO LIGHT PIPES  
747503041  
SHOWN

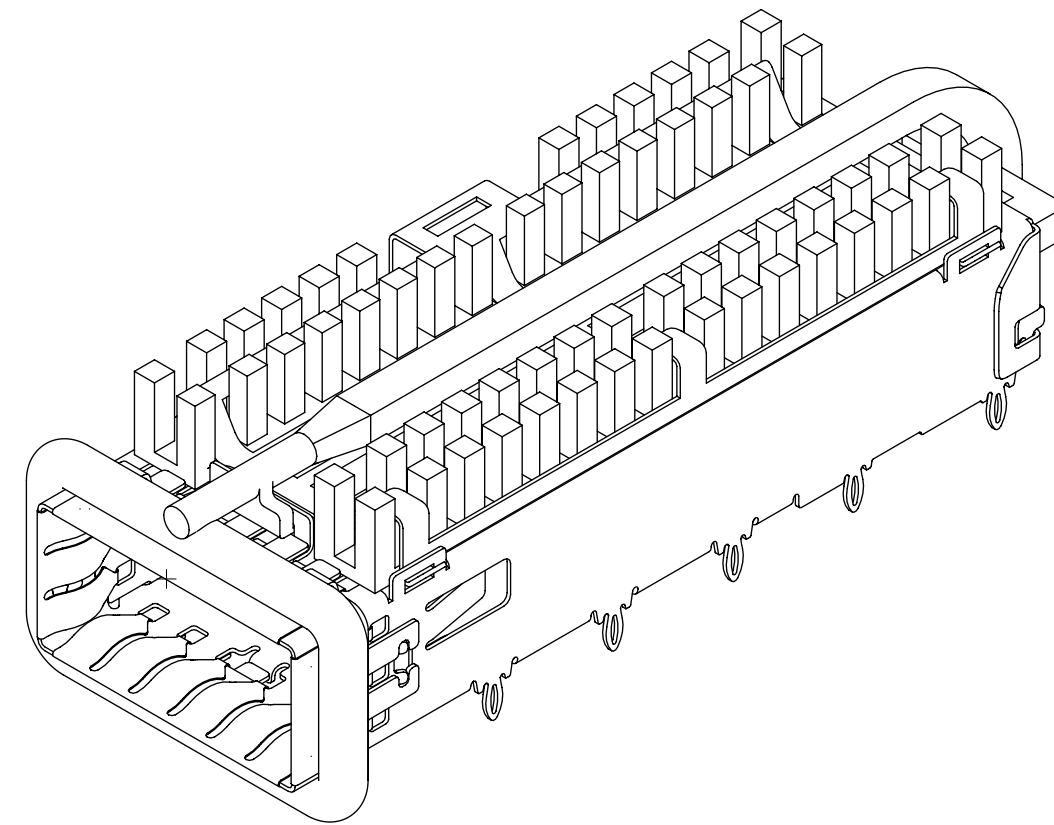


MOLEX P/N		HEAT-SINKS	LEG TYPE	# OF REAR LEGS PER PORT
WITH 2.62 REF ROUND ELASTOMERIC GASKET	WITH 2.49 REF SQUARE ELASTOMERIC GASKET			
747503041	---	SAN	EN	2
747503047	---	NET	EN	2
747503048	---	CUSTOM	EN	2
747503242	---	PCI	TD	2

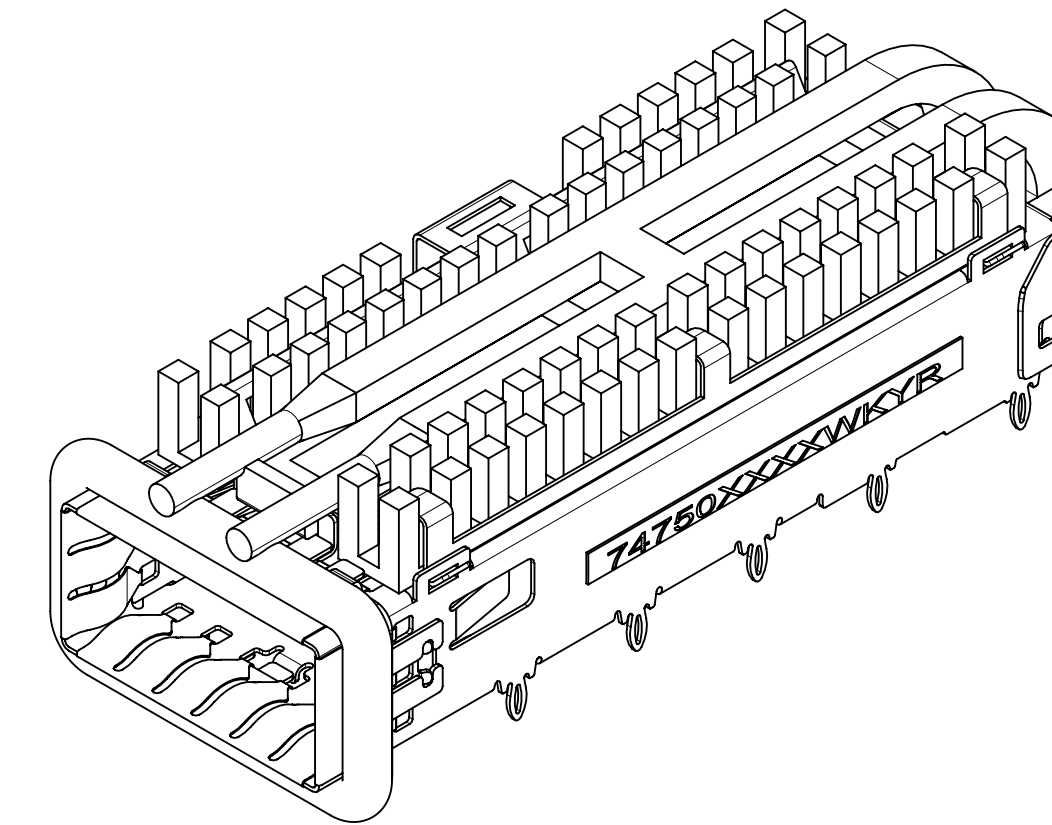
## WITH OR WITHOUT HEATSINKS AND LIGHT PIPES

MOLEX P/N		LIGHT PIPES	HEAT-SINKS	LEG TYPE	# OF REAR LEGS PER PORT	LIGHT PIPE LENGTH
WITH 2.62 REF ROUND ELASTOMERIC GASKET	WITH 2.49 REF SQUARE ELASTOMERIC GASKET					
747503070	---	SINGLE	SAN	EN	2	55.0
747503072	---	DUAL	SAN	EN	2	
747503073	---	DUAL	NET	EN	2	
747503571	---	QUAD	SAN	EN	2	55.0
747503577	---	DUAL	SAN	TD	2	
747503578	---	DUAL	NET	TD	2	

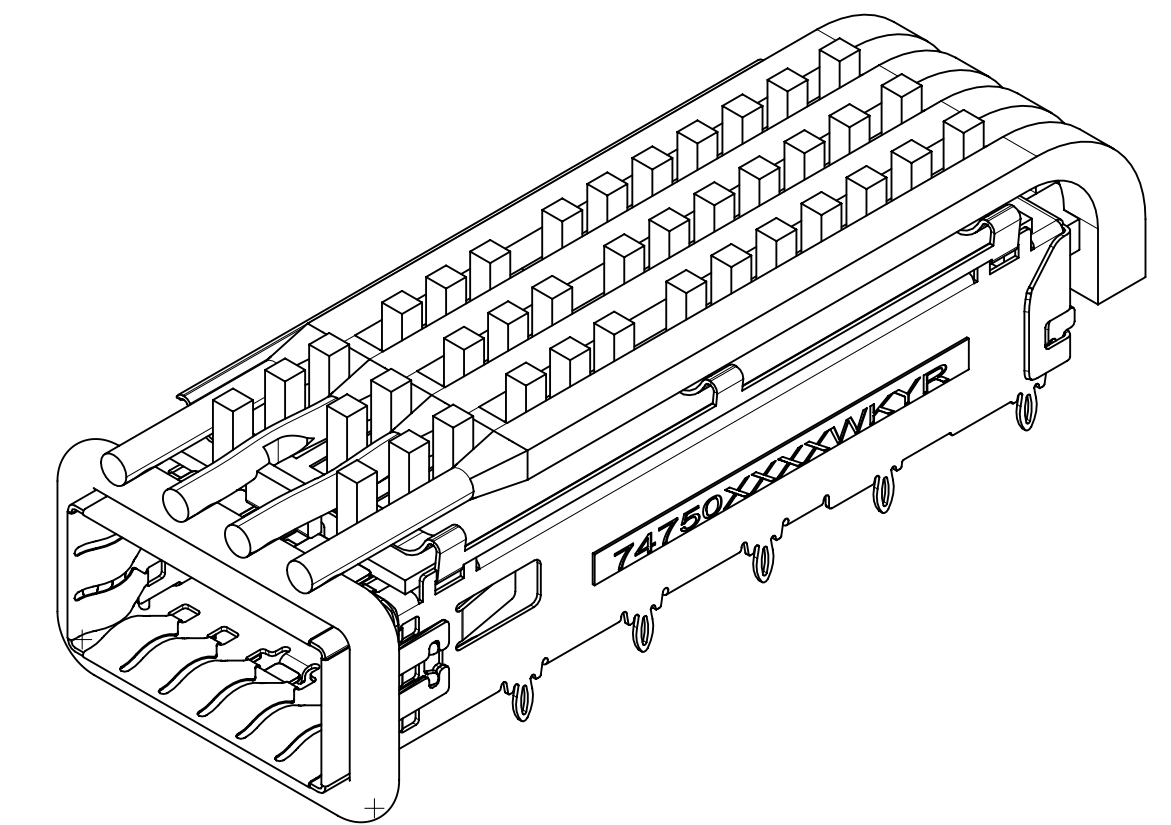
SINGLE LIGHT PIPE  
747503070  
SHOWN



DUAL LIGHT PIPES  
747503072  
SHOWN



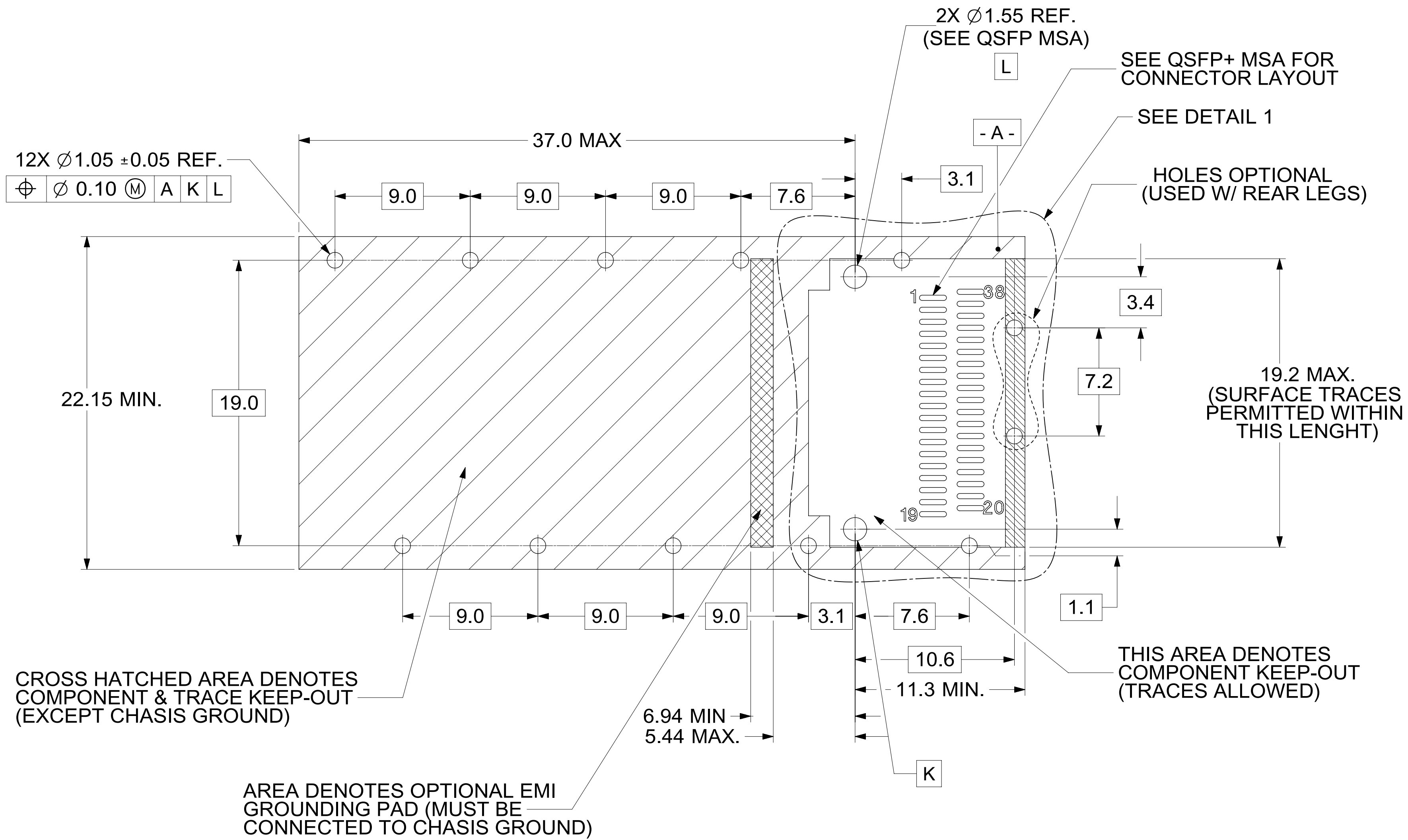
QUAD LIGHT PIPES  
747503571  
SHOWN



THIS DRAWING CONTAINS INFORMATION THAT IS PROPRIETARY TO MOLEX ELECTRONIC TECHNOLOGIES, LLC AND SHOULD NOT BE USED WITHOUT WRITTEN PERMISSION									
DIMENSION UNITS	SCALE	CURRENT REV DESC: SEE REV TABLE.							
mm	2.5:1	<p><b>molex</b></p> <p>QSFP+ 1X1 CAGE ASSEMBLY W / ELASTOMERIC GASKET, SUS INNER SPRING FINGER (ROUND &amp; SQUARE)</p> <p>PRODUCT CUSTOMER DRAWING</p>							
GENERAL TOLERANCES (UNLESS SPECIFIED)									
ANGULAR TOL	± 1.0°	EC NO: 735397	2022/10/19		DOCUMENT NUMBER		DOC TYPE	DOC PART	REVISION
4 PLACES	±	DRWN: VISHNM2	2023/01/18		747503022		PSD	ASY	A1
3 PLACES	±	CHK'D: PRARTP	2023/01/18		MATERIAL NUMBER		CUSTOMER		
2 PLACES	± 0.13	APPR: SCHIEN	2023/01/18		SERIES		SHEET NUMBER		
1 PLACE	± 0.25	INITIAL REVISION:	2022/05/27		74750		4 OF 9		
0 PLACES	±	DRWN: PKH	2022/07/07		SEE P/N TABLE				
DRAFT WHERE APPLICABLE MUST REMAIN WITHIN DIMENSIONS		THIRD ANGLE PROJECTION	DRAWING	SERIES					
			D-SIZE	74750					

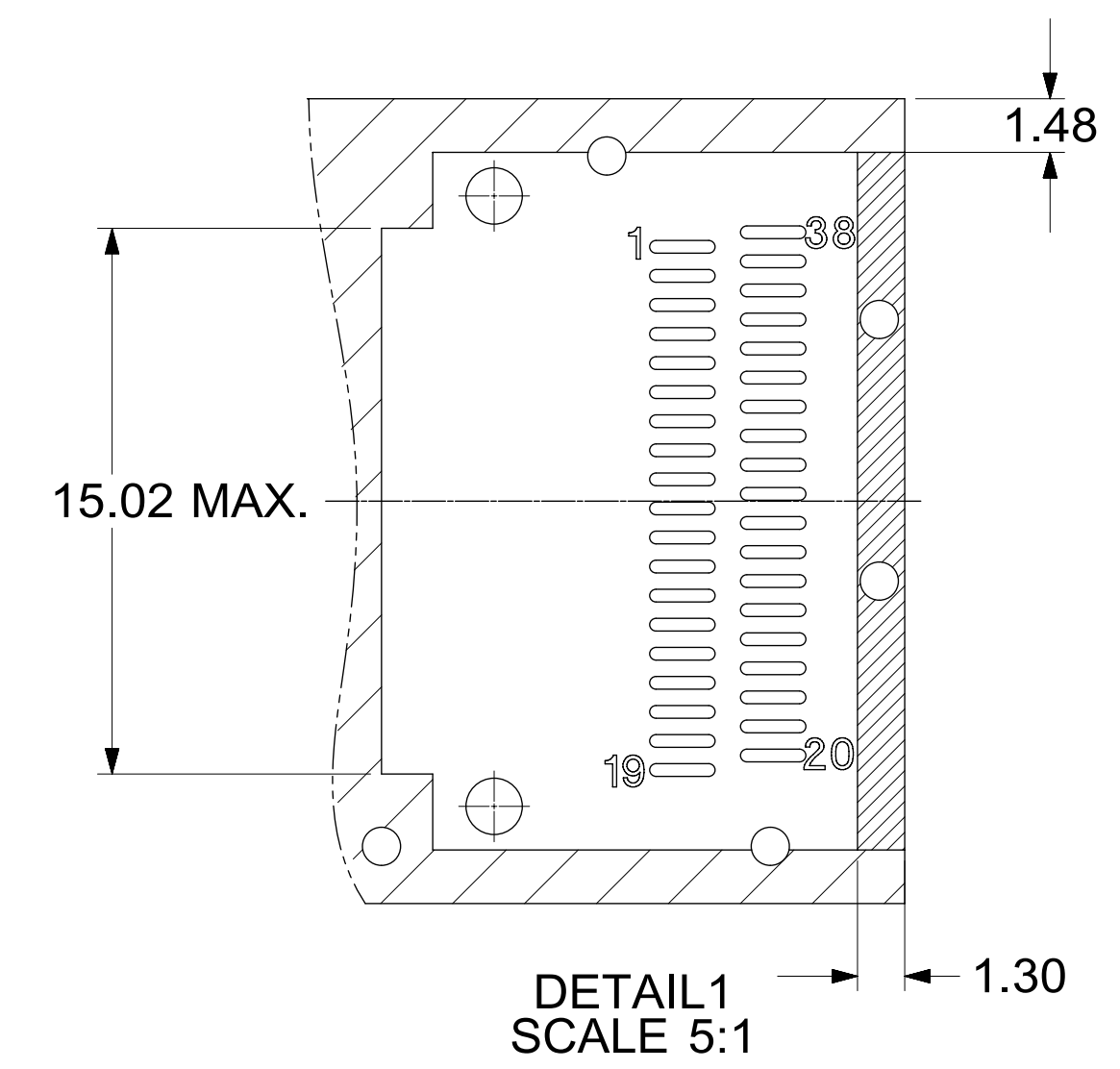
NOTE:  
1. LEG TYPE:  
EN - EYE OF THE NEEDLE  
TD - TEAR DROP

# PCB LAYOUT FOR SINGLE SIDED APPLICATIONS

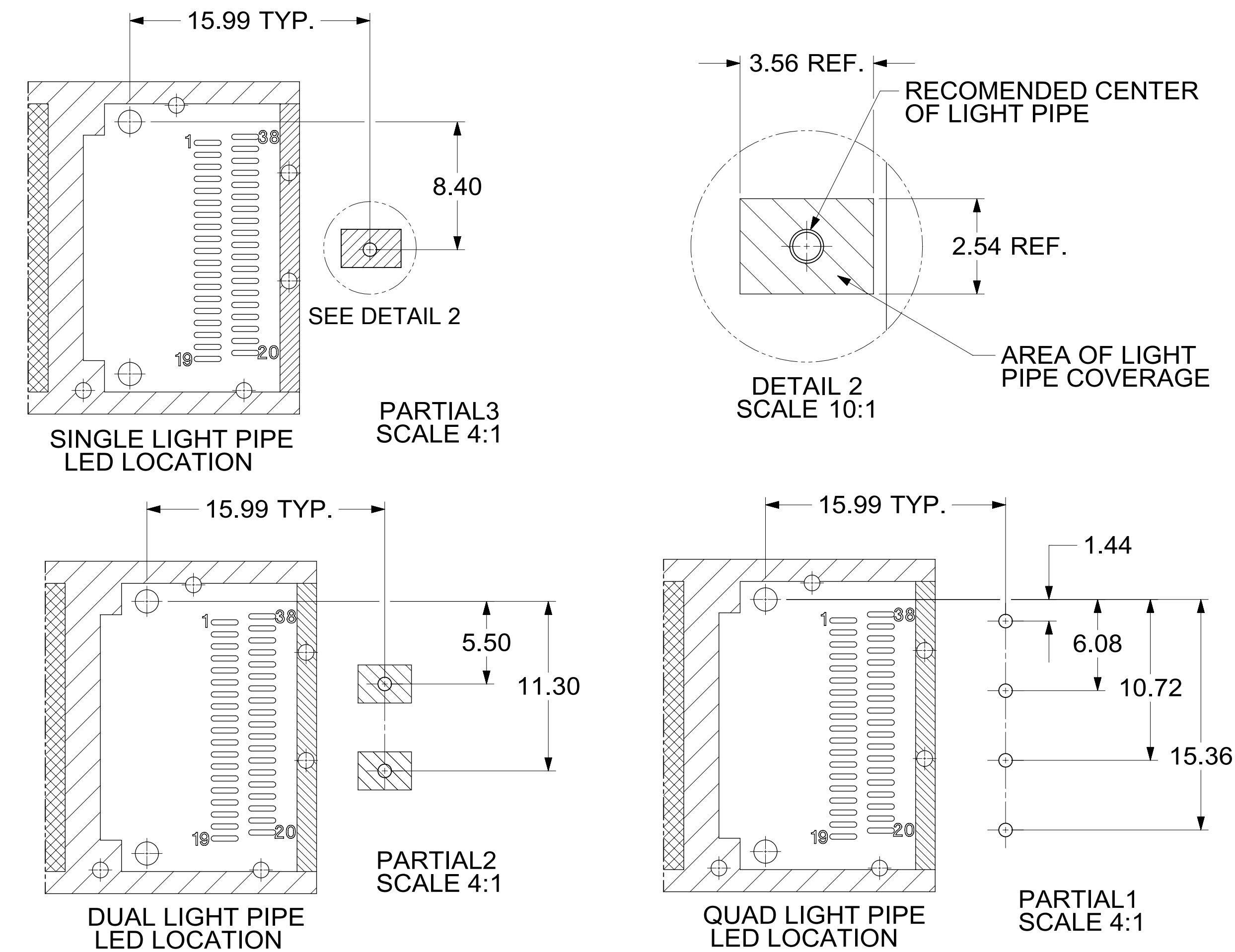


- NOTES:
- DATUM -A- IS TOP SURFACE OF HOST BOARD PER MSA
  - FINISHED HOLE SIZE (AFTER PLATING)
  - DATUM -K- IS HOST BOARD THRU HOLE #1 TO ACCEPT CONNECTOR GUIDE POST PER MSA
  - DATUM -L- IS HOST BOARD THRU HOLE #2 TO ACCEPT CONNECTOR GUIDE POST PER MSA
  - SINGLE SIDED BOARD THICKNESS:  
 NOMINAL: 1.60 mm  
 MINIMUM: 1.44 mm

# HOST CONNECTOR DETAIL

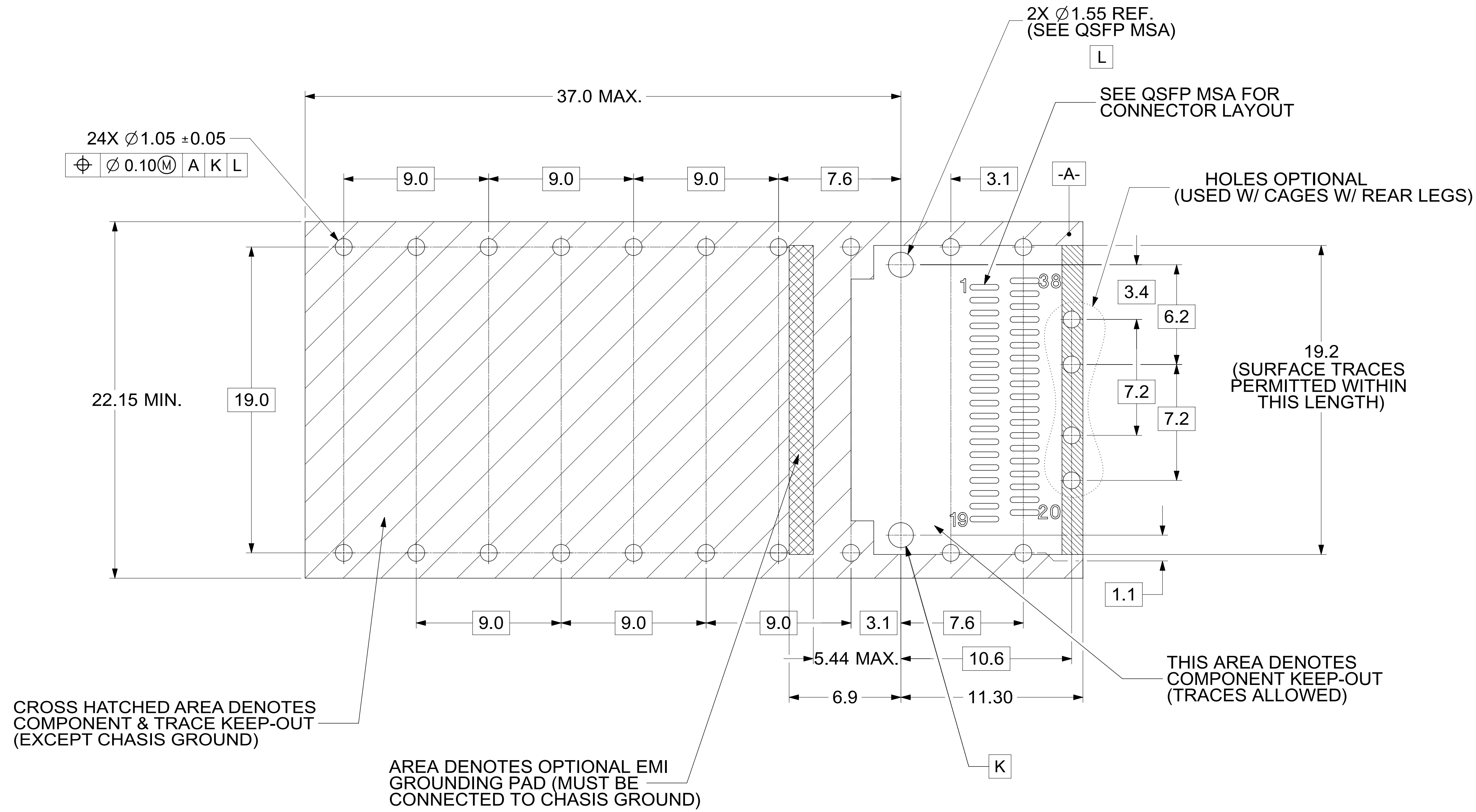


# FOR CAGE ASSEMBLIES WITH LIGHT PIPES



THIS DRAWING CONTAINS INFORMATION THAT IS PROPRIETARY TO MOLEX ELECTRONIC TECHNOLOGIES, LLC AND SHOULD NOT BE USED WITHOUT WRITTEN PERMISSION									
DIMENSION UNITS	SCALE	CURRENT REV DESC: SEE REV TABLE.							
mm	4:1	<p>QSFP+ 1X1 CAGE ASSEMBLY          W / ELASTOMERIC GASKET, SUS INNER SPRING FINGER (ROUND &amp; SQUARE)</p> <p>PRODUCT CUSTOMER DRAWING</p>							
GENERAL TOLERANCES (UNLESS SPECIFIED)									
ANGULAR TOL	$\pm 1.0^\circ$								
4 PLACES	$\pm$								
3 PLACES	$\pm$								
2 PLACES	$\pm 0.13$	EC NO: 735397	2022/10/19	DOCUMENT NUMBER	DOC TYPE	DOC PART	REVISION		
1 PLACE	$\pm 0.25$	DRWN: VISHNM2	2023/01/18	747503022	PSD	ASY	A1		
0 PLACES	$\pm$	CHK'D: PRARTP	2023/01/18	MATERIAL NUMBER	CUSTOMER	SHEET NUMBER			
DRAFT WHERE APPLICABLE MUST REMAIN WITHIN DIMENSIONS		APPR: SCHIEN	2023/01/18	SEE SHEET 4			5 OF 9		
		INITIAL REVISION:	2022/05/27						
		DRWN: PKH	2022/07/07						
		APPR: SCHIEN	2022/07/07						
		THIRD ANGLE PROJECTION	DRAWING	SERIES					
			D-SIZE	74750					

# PCB LAYOUT FOR BELLY-TO-BELLY APPLICATIONS

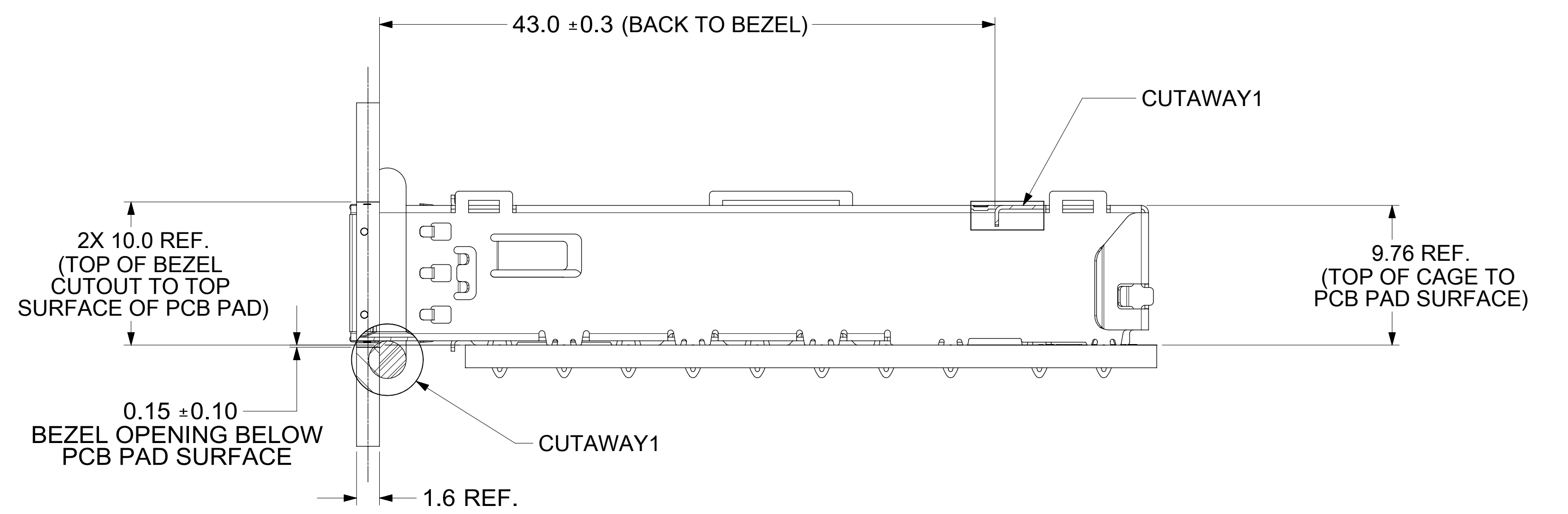
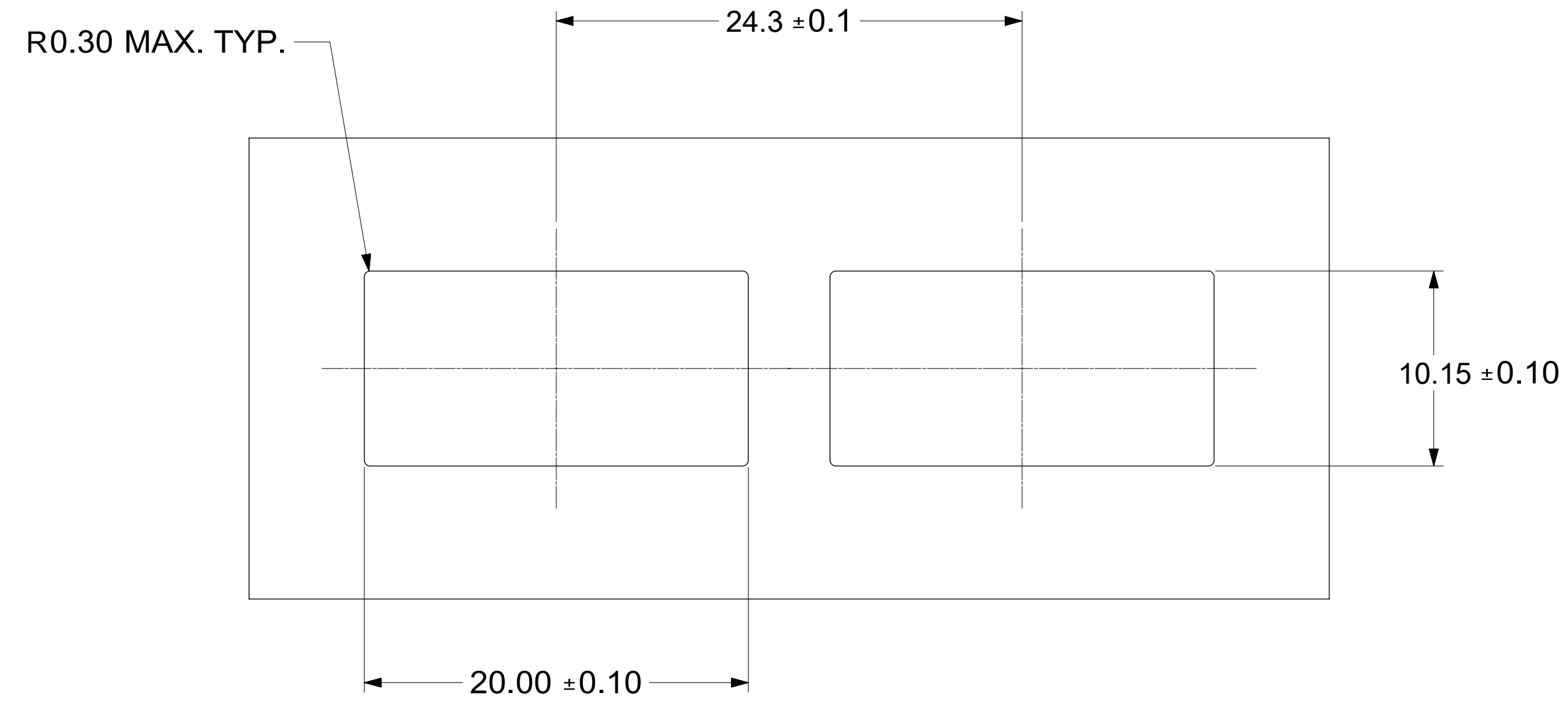


NOTE:  
FOR RECOMENDED CENTER  
OF LIGHT PIPES,  
SEE SHEET 5

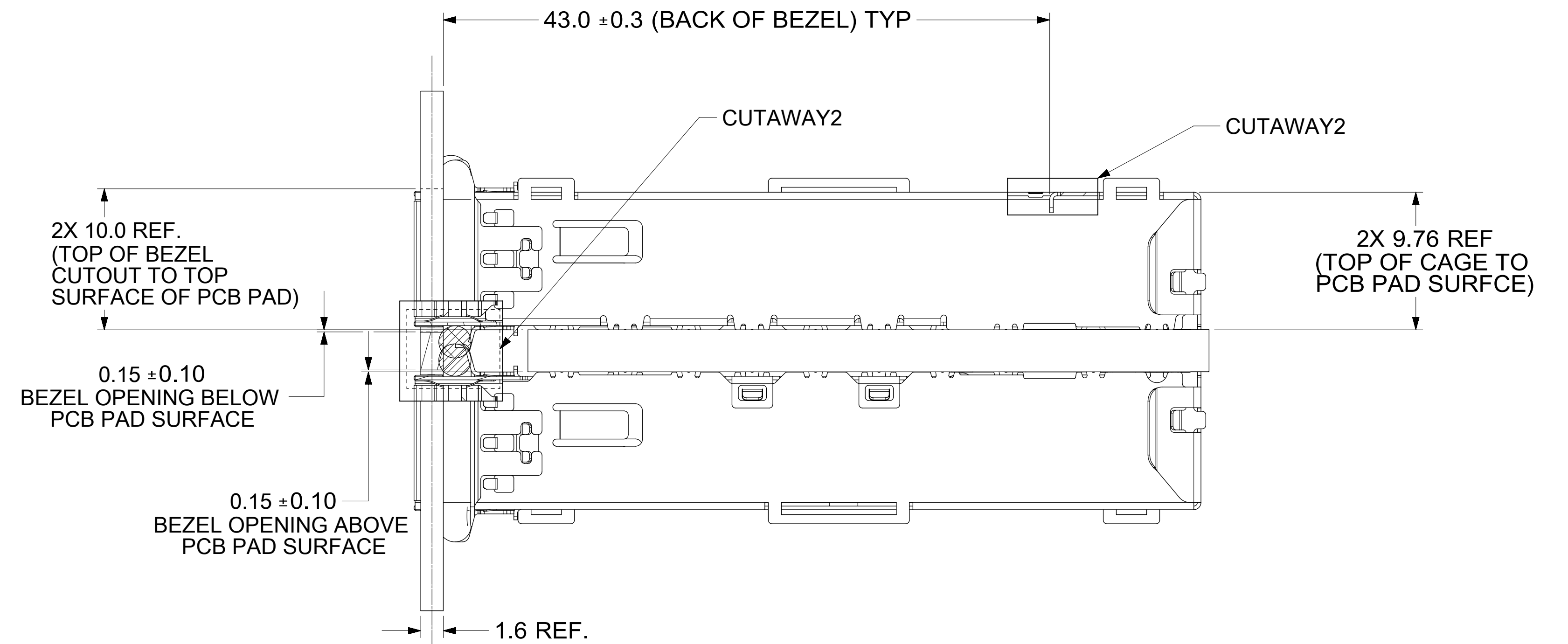
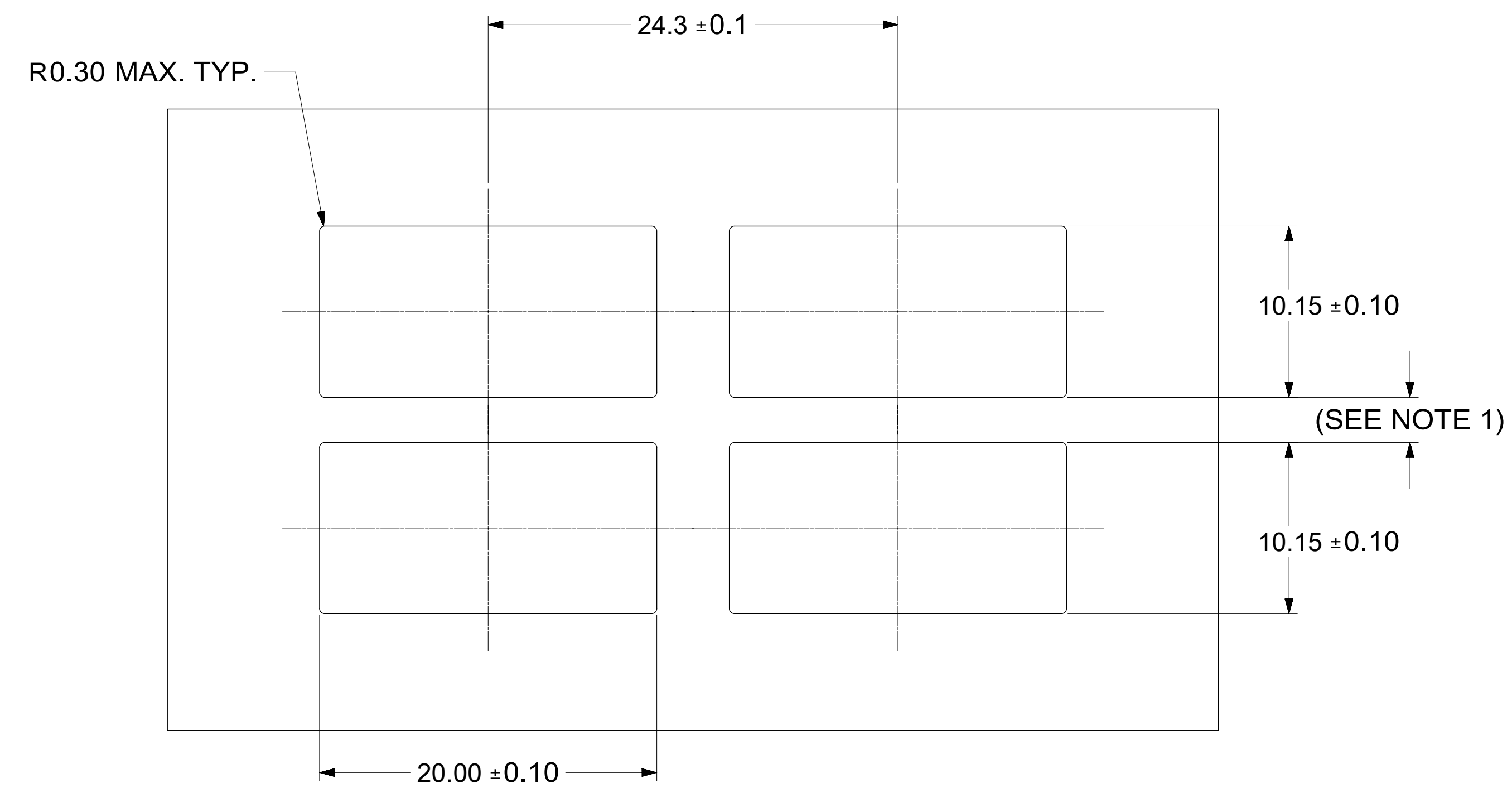
- NOTES:
- DATUM -A- IS TOP SURFACE OF HOST BOARD PER MSA
  - FINISHED HOLE SIZE (AFTER PLATING)
  - DATUM -K- IS HOST BOARD THRU HOLE #1 TO ACCEPT CONNECTOR GUIDE POST PER MSA
  - DATUM -L- IS HOST BOARD THRU HOLE #2 TO ACCEPT CONNECTOR GUIDE POST PER MSA
  - BELLY TO BELLY BOARD THICKNESS:  
NOMINAL: 2.90 mm  
MINIMUM: 2.48 mm

THIS DRAWING CONTAINS INFORMATION THAT IS PROPRIETARY TO MOLEX ELECTRONIC TECHNOLOGIES, LLC AND SHOULD NOT BE USED WITHOUT WRITTEN PERMISSION									
DIMENSION UNITS	SCALE	CURRENT REV DESC: SEE REV TABLE.							
mm	6:1	<p><b>molex</b></p> <p>QSFP+ 1X1 CAGE ASSEMBLY W / ELASTOMERIC GASKET, SUS INNER SPRING FINGER (ROUND &amp; SQUARE)</p> <p>PRODUCT CUSTOMER DRAWING</p>							
GENERAL TOLERANCES (UNLESS SPECIFIED)									
ANGULAR TOL	± 1.0°								
4 PLACES	±								
3 PLACES	±								
2 PLACES	± 0.13	EC NO: 735397	2022/10/19		DOCUMENT NUMBER		DOC TYPE	DOC PART	REVISION
1 PLACE	± 0.25	DRWN: VISHNM2	2023/01/18		747503022		PSD	ASY	A1
0 PLACES	±	CHK'D: PRARTP	2023/01/18		INITIAL REVISION:				
DRAFT WHERE APPLICABLE MUST REMAIN WITHIN DIMENSIONS		APPR: SCHIEN	2023/01/18		DRWN: PKH		2022/05/27		2022/07/07
THIRD ANGLE PROJECTION		DRAWING		SERIES	MATERIAL NUMBER	CUSTOMER		SHEET NUMBER	
D-SIZE		74750	SEE SHEET 4		6 OF 9				

# BEZEL AND BOARD POSITION DIMENSIONS FOR SINGLE SIDE MOUNTING



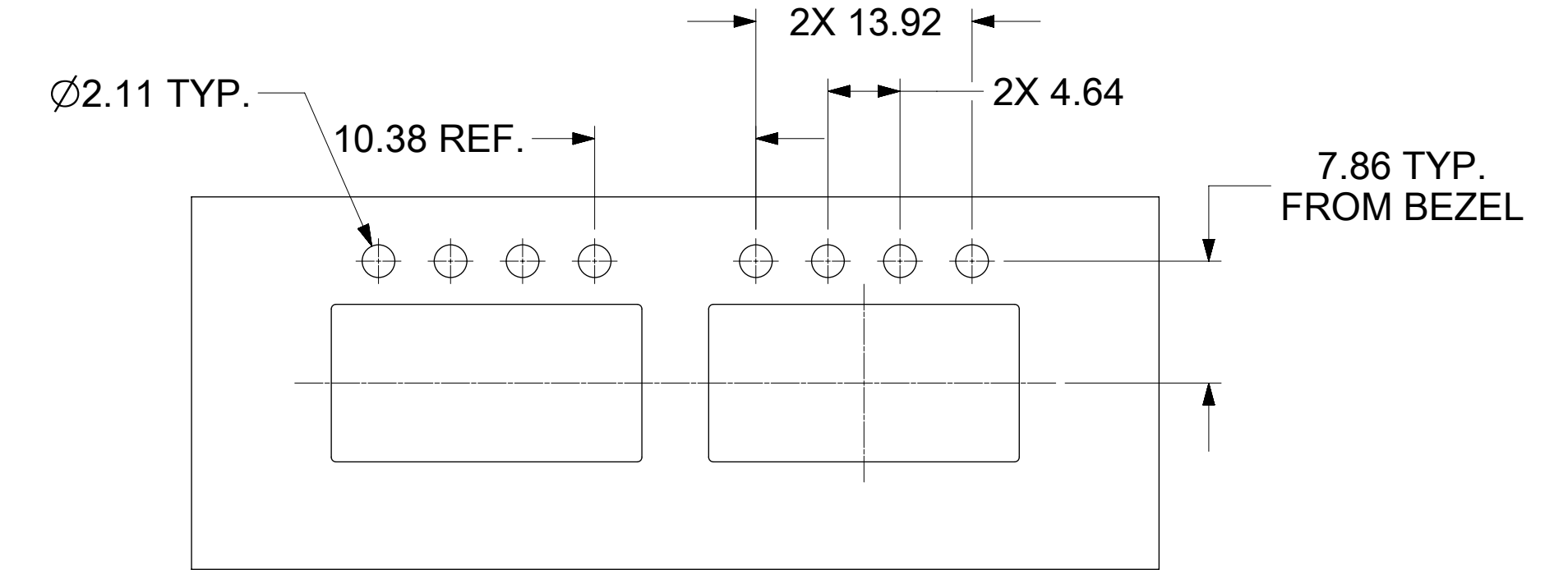
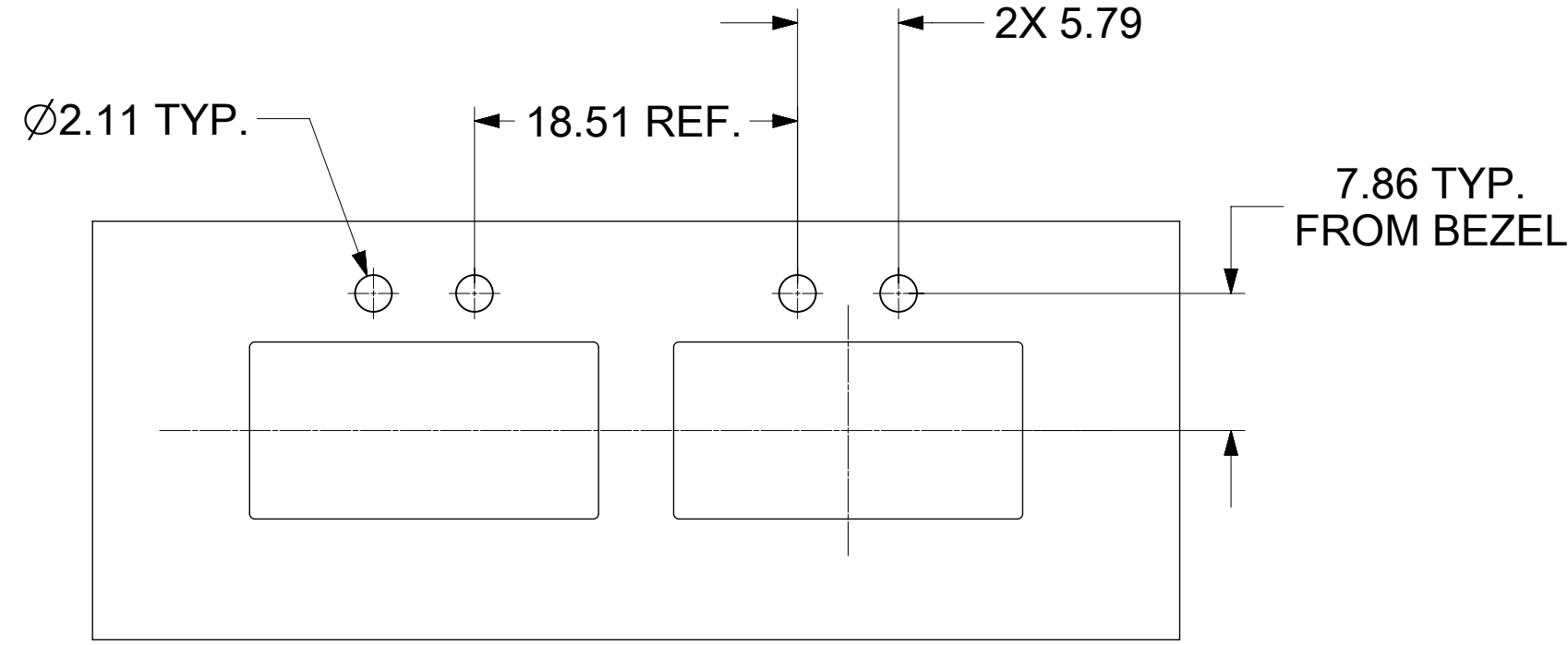
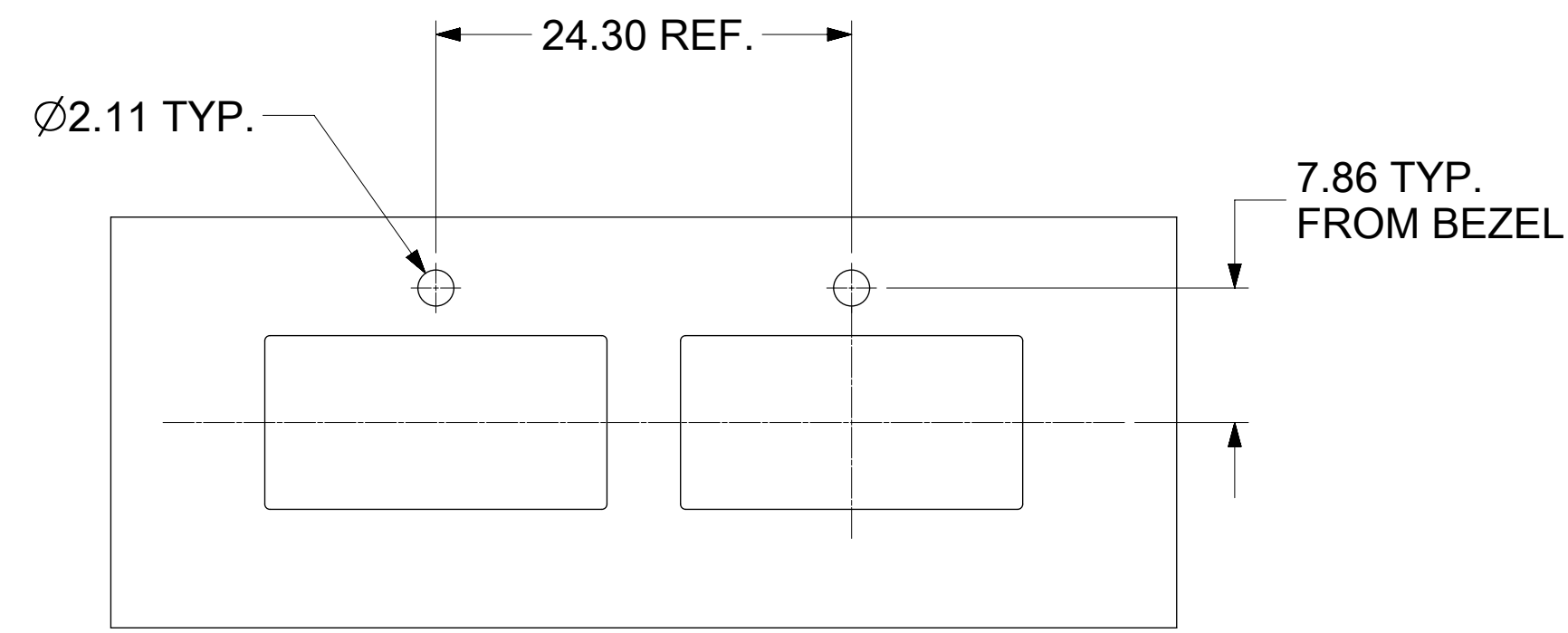
# BEZEL AND BOARD POSITION DIMENSIONS FOR BELLY TO BELLY MOUNTING



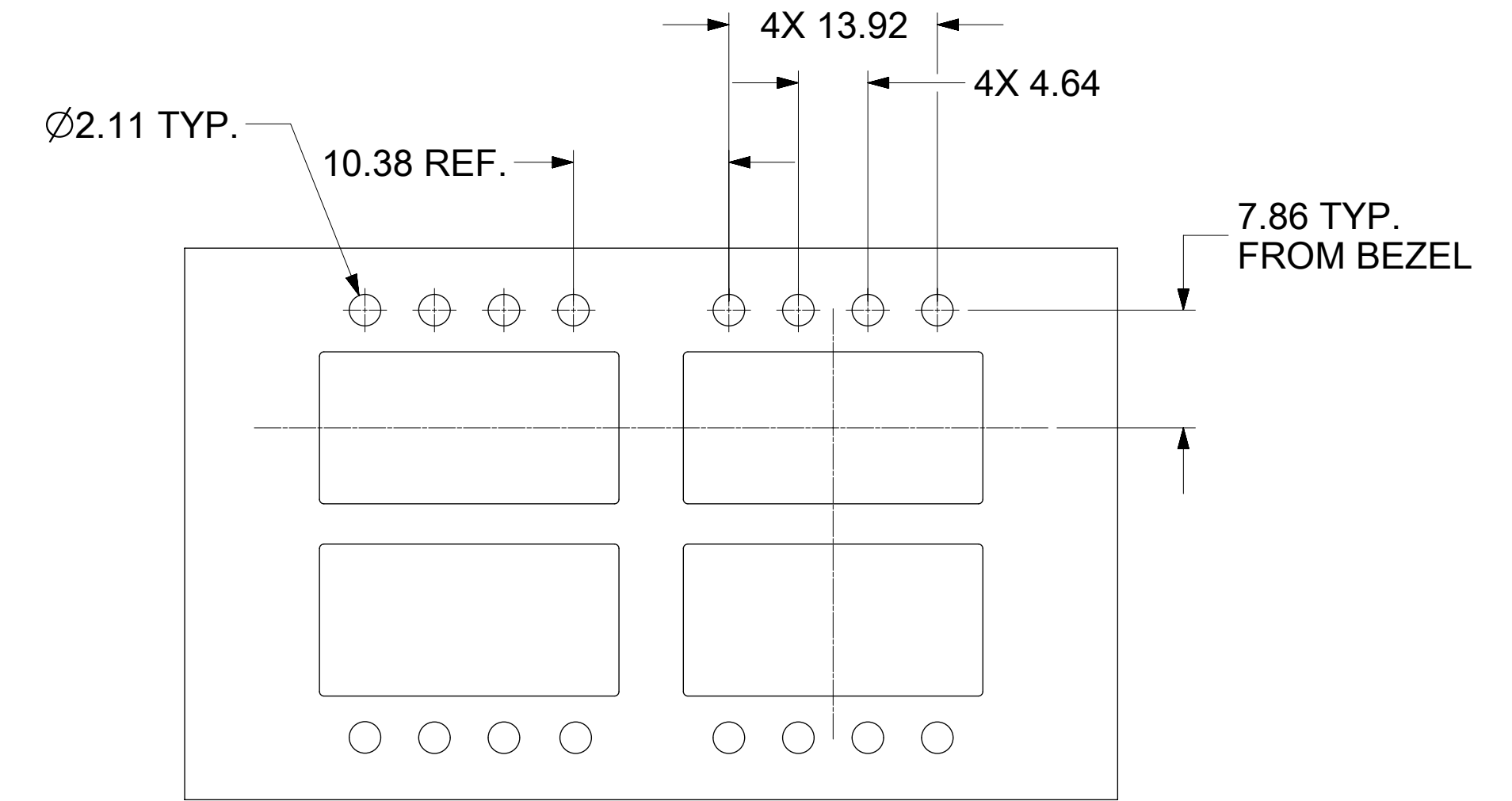
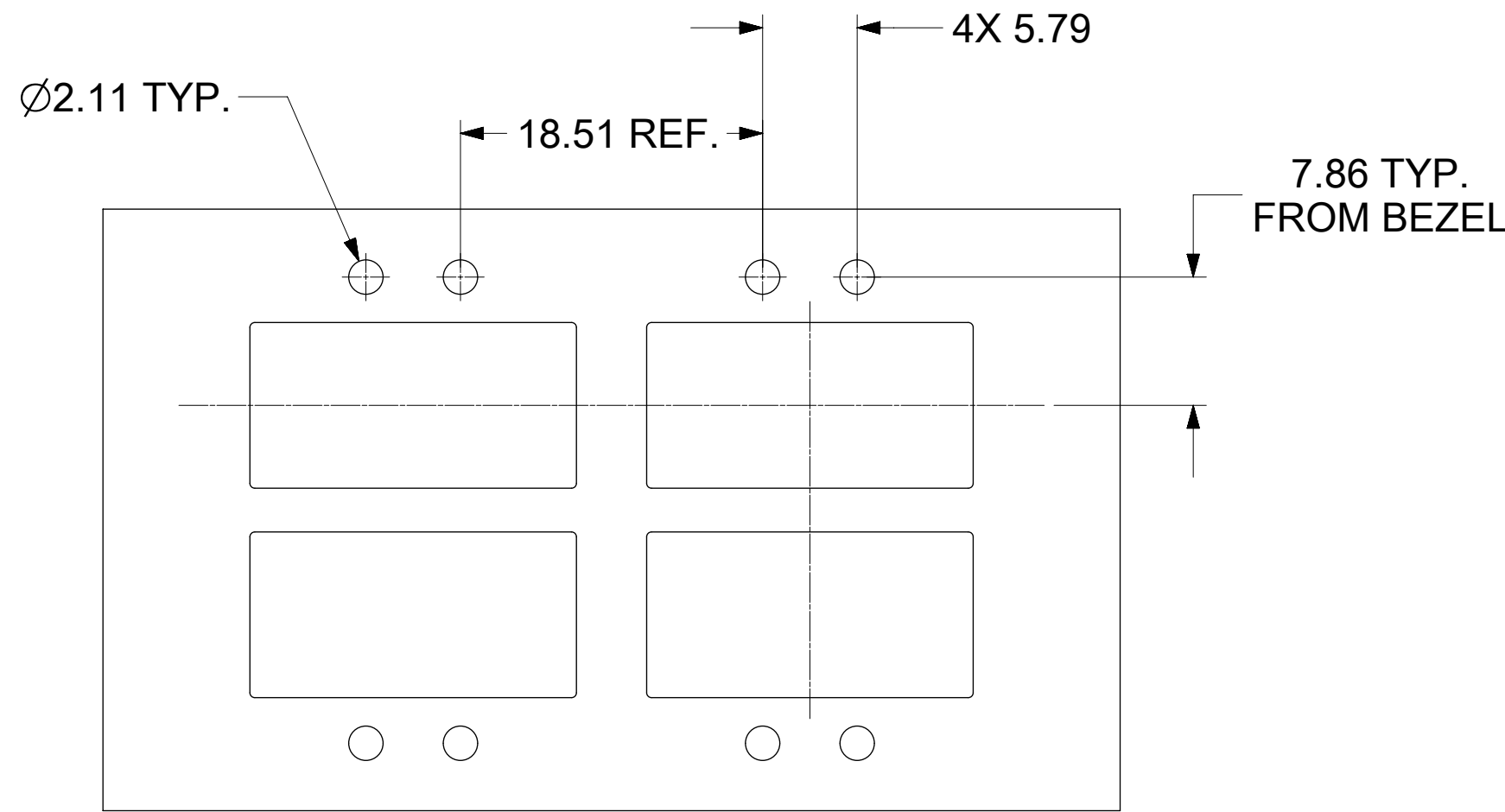
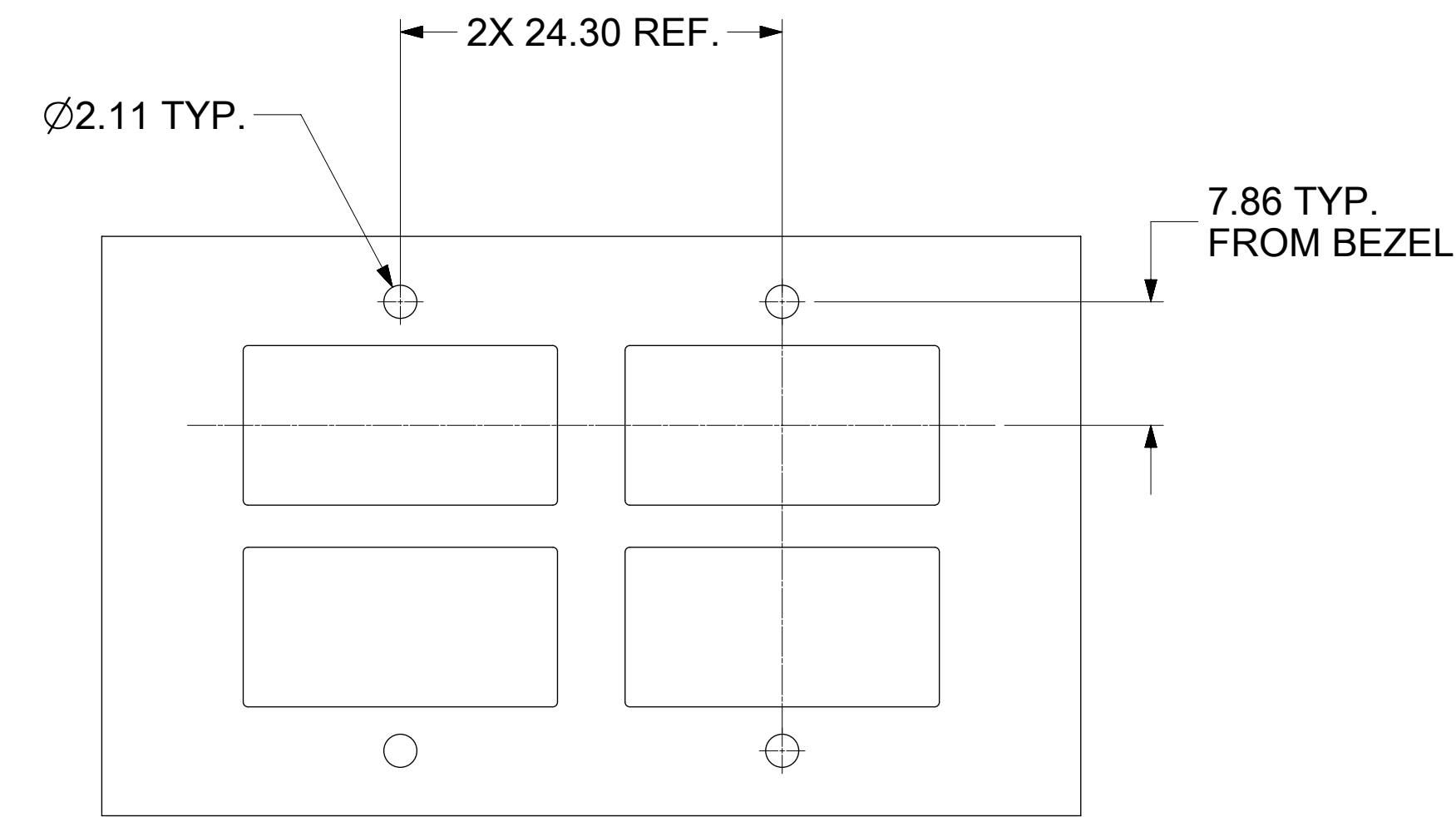
NOTE:  
1. PCB THICKNESS VARIATION MUST BE CONSIDERED WHEN DETERMINING BEZEL OPENING, SIZE, AND LOCATION.

THIS DRAWING CONTAINS INFORMATION THAT IS PROPRIETARY TO MOLEX ELECTRONIC TECHNOLOGIES, LLC AND SHOULD NOT BE USED WITHOUT WRITTEN PERMISSION												
DIMENSION UNITS		SCALE		CURRENT REV DESC: SEE REV TABLE.								
mm		4:1										
GENERAL TOLERANCES (UNLESS SPECIFIED)				EC NO: 735397		2022/10/19		QSFP+ 1X1 CAGE ASSEMBLY W / ELASTOMERIC GASKET, SUS INNER SPRING FINGER (ROUND & SQUARE)				
ANGULAR TOL ± 1.0°				DRWN: VISHNM2		2023/01/18						
4 PLACES ±				CHK'D: PRARTP		2023/01/18		PRODUCT CUSTOMER DRAWING				
3 PLACES ±				APPR: SCHIEN		2023/01/18						
2 PLACES ± 0.13				INITIAL REVISION:				DOCUMENT NUMBER		DOC TYPE	DOC PART	REVISION
1 PLACE ± 0.25				DRWN: PKH		2022/05/27		747503022		PSD	ASY	A1
0 PLACES ±				APPR: SCHIEN		2022/07/07		MATERIAL NUMBER		CUSTOMER		SHEET NUMBER
DRAFT WHERE APPLICABLE MUST REMAIN WITHIN DIMENSIONS				THIRD ANGLE PROJECTION		DRAWING		SERIES		SEE SHEET 4		7 OF 9
						D-SIZE		74750				

### BEZEL LIGHT PIPE CUTOUT POSITION DIMENSIONS FOR SINGLE SIDE MOUNTING



### BEZEL LIGHT PIPE CUTOUT POSITION DIMENSIONS FOR BELLY-TO-BELLY MOUNTING



**NOTE:**  
1. PCB THICKNESS VARIATION MUST BE CONSIDERED WHEN DETERMINING BEZEL OPENING, SIZE, AND LOCATION.

THIS DRAWING CONTAINS INFORMATION THAT IS PROPRIETARY TO MOLEX ELECTRONIC TECHNOLOGIES, LLC AND SHOULD NOT BE USED WITHOUT WRITTEN PERMISSION									
DIMENSION UNITS		SCALE		CURRENT REV DESC: SEE REV TABLE.					
mm		2.5:1							
GENERAL TOLERANCES (UNLESS SPECIFIED)									
ANGULAR TOL ± 1.0°									
4 PLACES ±				EC NO: 735397					
3 PLACES ±				DRWN: VISHNM2		2022/10/19			
2 PLACES ± 0.13				CHK'D: PRARTP		2023/01/18			
1 PLACE ± 0.25				APPR: SCHIEN		2023/01/18			
0 PLACES ±				INITIAL REVISION:					
				DRWN: PKH		2022/05/27			
				APPR: SCHIEN		2022/07/07			
DRAFT WHERE APPLICABLE MUST REMAIN WITHIN DIMENSIONS				THIRD ANGLE PROJECTION		DRAWING		SERIES	
						D-SIZE		74750	
				MATERIAL NUMBER		CUSTOMER		SHEET NUMBER	
				747503022		SEE SHEET 4		8 OF 9	

**molex**


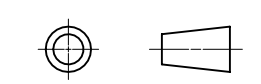
QSFP+ 1X1 CAGE ASSEMBLY  
W / ELASTOMERIC GASKET, SUS INNER SPRING  
FINGER (ROUND & SQUARE)

PRODUCT CUSTOMER DRAWING

DOCUMENT NUMBER	DOC TYPE	DOC PART	REVISION
747503022	PSD	ASY	A1



REV	DATE	DESCRIPTION
A	2022/06/25	INITIAL RELEASE
A1	2022/10/29	SHEET 01 : H12,G17,H17 : VIEWS UPDATED TO ACHIEVE PROPER GASKET VIEW.

THIS DRAWING CONTAINS INFORMATION THAT IS PROPRIETARY TO MOLEX ELECTRONIC TECHNOLOGIES, LLC AND SHOULD NOT BE USED WITHOUT WRITTEN PERMISSION										
DIMENSION UNITS	SCALE	CURRENT REV DESC: SEE REV TABLE.								
mm	1:1	EC NO: 735397								
GENERAL TOLERANCES (UNLESS SPECIFIED)		DRWN: VISHNM2 2022/10/19				QSFP+ 1X1 CAGE ASSEMBLY W / ELASTOMERIC GASKET, SUS INNER SPRING FINGER (ROUND & SQUARE)				
ANGULAR TOL ± 1.0°		CHK'D: PRARTP 2023/01/18				PRODUCT CUSTOMER DRAWING				
4 PLACES ±		APPR: SCHIEN 2023/01/18				DOCUMENT NUMBER				
3 PLACES ±		INITIAL REVISION:				747503022		DOC TYPE	DOC PART	REVISION
2 PLACES ± 0.13		DRWN: PKH 2022/05/27				PSD		ASY	A1	
1 PLACE ± 0.25		APPR: SCHIEN 2022/07/07				SEE SHEET 4		SHEET NUMBER		
0 PLACES ±		DRAFT WHERE APPLICABLE MUST REMAIN WITHIN DIMENSIONS		THIRD ANGLE PROJECTION	DRAWING	SERIES	MATERIAL NUMBER	CUSTOMER	SHEET NUMBER	
					D-SIZE	74750			9 OF 9	